

VS-LLD

3.45 μm

SERIES

See things as they are. Distortionless.



Distortionless Macro Lenses with a Floating System

High Resolution Distortionless Macro Lenses



Features

- 4/3", 1.1", 1" sensor format support
- Floating system improves high performance with any magnification
- Distortionless design
- Reduced shading
- High contrast & resolution
- C-Mount

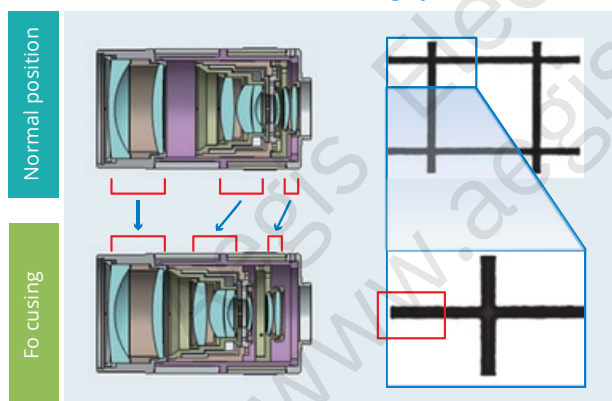
What is a Floating System?

Normally lenses shift just a single group of elements internally when focusing. Having additional floating elements (see pictures below) can significantly improve the close-focus performance. Due to the floating component being separate from the group of focusing lens elements, aberrations caused by lens extensions are significantly reduced. Macro lenses make exceptionally great use of this system because they cover a wide range of focus distances in a wide-angle.

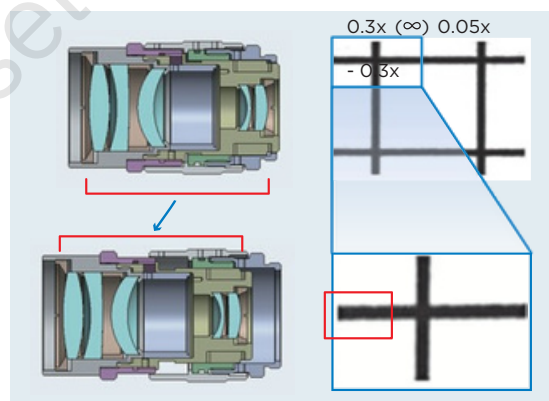
Model	Focal Length	Mag.	F/#
VS-LLD10	10	(∞) 0.05x -	2.8
VS-LLD12.5	12.5	0.15x (∞)	2.0 - 2.5
VS-LLD15	15	0.05x - 0.2x	2.0
VS-LLD18	18	(∞) 0.05x -	2.0
VS-LLD20	20	0.2x (∞) 0.05x	2.0
VS-LLD25	25	- 0.25x (∞)	2.0
VS-LLD30	30	0.05x - 0.25x	2.0
VS-LLD35	35	(∞) 0.05x -	2.0
VS-LLD50	50	0.25x (∞)	2.0

0.05x - 0.3x

Lens with a floating system



Normal lens (∞) 0.05x -



Furthermore, our advanced designed for Distortionless machine vision macro les

