



VZ-32CMP ADVANTAGES

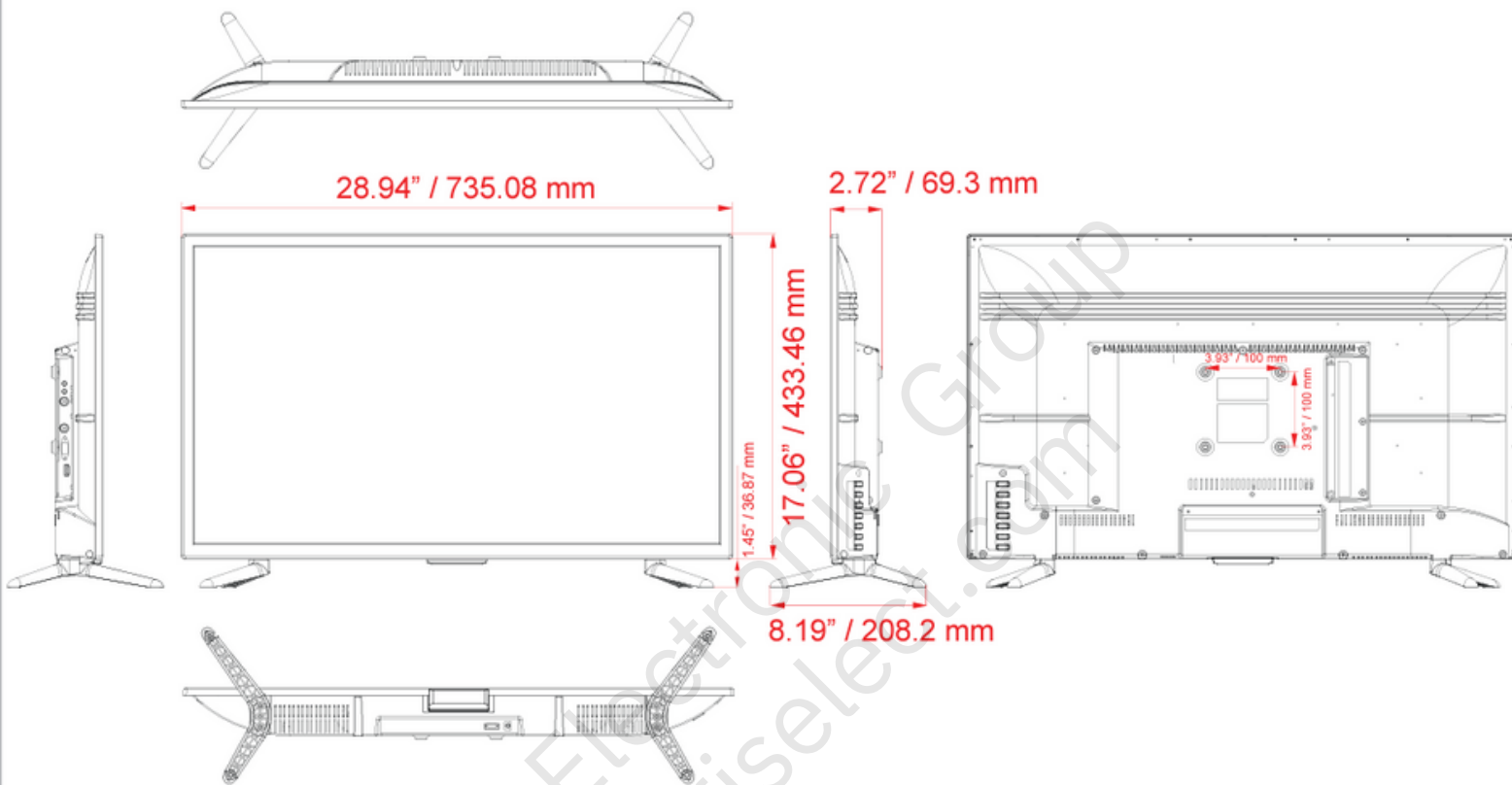
- 32" Full HD Resolution
- 3D Comb-filter, De-Interlace
- 16:9 / 4:3 Ratio Available, HDMI, VGA, USB, Audio In / Out
- 2 CVBS (BNC) Input / 1 Output (Loop-through)
- Built-in Media Player
- Built-in Speakers, Auto Source & Power Recovery
- Built to run 24/7/365
- 3-Year Warranty



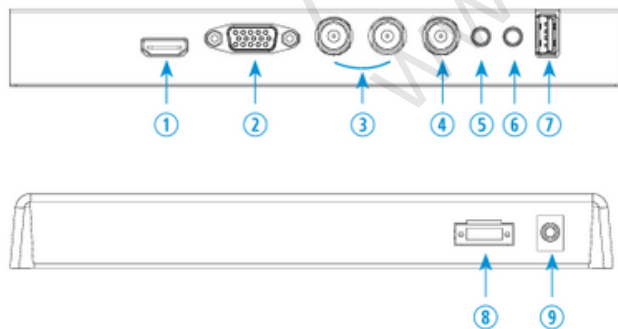
MODEL #		VZ-32CMP
VIDEO		
Screen Size	32"	
Max. Resolution	1920 x 1080 @60Hz	
Pixel Pitch	0.36375 mm x 0.36375 mm	
Brightness	250cd/m ² (Typical)	
Contrast Ratio	1200:1	
Aspect Ratio	16 : 9	
Viewing Angle (H/V)	178° / 178°	
Display Color	16.7 Million	
Response Time	< 8 ms	
Video System	NTSC / PAL	
INTERFACE		
CVBS (BNC) In / Out	2 / 1	
VGA In (15Pin D-Sub)	1	
HDMI In	1	
USB In	1	
Audio In / Out	1 / 1	
AUDIO		
Built in speaker	5W X 2	
SPECIAL FEATURES		
Filter Type	3D Comb-filter / De-Interlace	
Language	English, Deutsch, French, Spanish, Italian	
DIMENSIONS & WEIGHT		
Outline Dimension (W x H x D)	28.94" x 17.06" x 2.72" 735.08 mm x 433.46 mm x 69.3 mm	
Net Weight / Gross Weight	12.78 lbs (5.8 kg) / 15.43 lbs (7.0 kg)	
MOUNT		
VESA	100mm x 100mm / 4 x (M4x L8) Screws	
GENERAL		
Power	Electrical Ratings	AC 100-240V, 50/60Hz (with DC Adaptor) DC 24V, 2.7 A
	Consumption	≤ 50 W
Operating Temperature Humidity		
14 ~ 122°F / -10 ~ 50°C 20 ~ 70% RH		
Regulations		
FCC(A), CE, RoHs		
Compatible Mounts		
WALL VZ-AM02-A, VZ-WM50		
CEILING VZ-CMKIT-01, VZ-CMKIT-02, VZ-CM308		

MEDIA CARD	
External Storage	Support USB 2.0 HOST
Output	VIDEO - HDMI(1080p) / AUDIO - L/R, HDMI
VIDEO Format	RM, RMVB, AVI, DVIX, MKV, MOV, HDMOV, MP4, M4V, PMP, AVC, FLV, VOB, MPG, DAT, MPEG, TS, TP, M2TS, WMV, H.264, H.263, WMV9, VC-1, MPEG1/2/4
VIDEO Resolution	1080P @60/50Hz, 1080i @60/50Hz, 720P @60/50Hz
AUDIO Format	MPEG1/2/4, MP3, WMA, OGG, AAC, FLAC, APE, AC-3, DTS, ATRA, WAV, PCM
Image Format	JPEG, TIF, PNG, BMP
VIDEO Play Control	AUTO, REPEAT, ZOOM, RESUME, TIME

DIMENSIONS



INTERFACE



1. HDMI IN
2. VGA IN
3. CVBS (BNC) IN x 2
4. CVBS (BNC) OUT
5. Audio IN
6. Audio OUT
7. USB IN
8. DC 24V IN
9. DC 24V IN