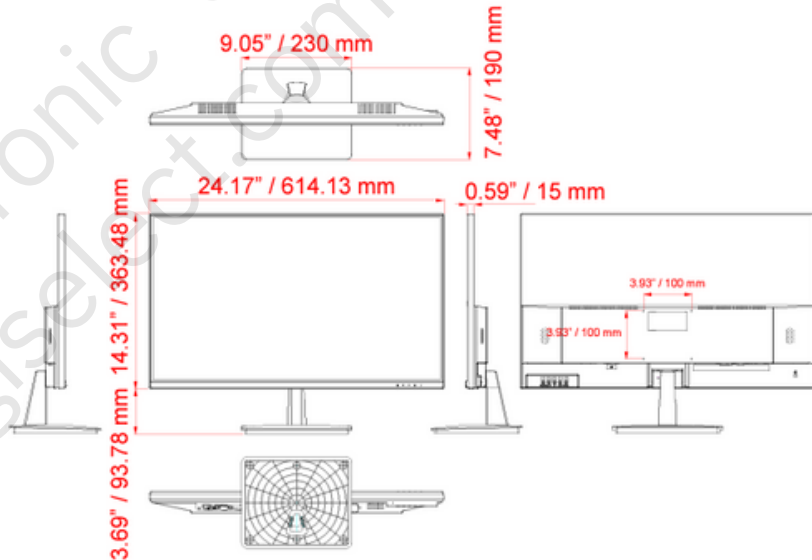




## VZ-27CMP ADVANTAGES

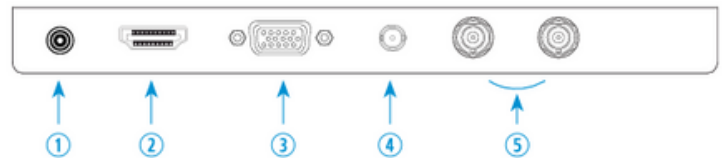
- 27" Full HD Resolution
- 3D Comb-filter, De-Interlace
- 16:9 / 4:3 Ratio Available, HDMI, VGA, PC Audio, AV Audio
- 1 CVBS (BNC) Input / Output (Loop-through)
- Built-in Speakers, Auto Source & Power Recovery
- Built to run 24/7/365
- DC24V Power Operation to extend the power cable up to 600 feet using optional VZ-DC24-320 Power Supply
- 3-Year Warranty

## DIMENSIONS



MODEL #	VZ-27CMP
<b>VIDEO</b>	
Screen Size	27"
Max. Resolution	1920 x 1080 @60Hz
Pixel Pitch	0.3114 mm x 0.3114 mm
Brightness	250cd/m <sup>2</sup> (Typical)
Contrast Ratio	1000:1
Aspect Ratio	16 : 9
Viewing Angle (H/V)	178° / 178°
Display Color	16.7 Million
Response Time	< 8 ms
Video System	NTSC / PAL
<b>INTERFACE</b>	
CVBS (BNC) In / Out	1 / 1
VGA In (15Pin D-Sub)	1
HDMI In	1
Audio In	1
<b>AUDIO</b>	
Built in speaker	2W X 2
<b>SPECIAL FEATURES</b>	
Filter Type	3D Comb-filter / De-Interlace
Language	English, Deutsch, French, Spanish, Italian
<b>DIMENSIONS &amp; WEIGHT</b>	
Outline Dimension (W x H x D)	24.17" x 18" x 1.69" 541.4 mm x 457.26 mm x 43.0 mm
Net Weight / Gross Weight	8.92 lbs ( 4.05kg ) / 12.34 lbs ( 5.6kg )
<b>MOUNT</b>	
VESA	100mm x 100mm ( M4 x L8 screws )
<b>GENERAL</b>	
Power	Electrical Ratings AC 100-240V, 50/60Hz (with DC Adaptor) DC 24V, 2A
	Consumption 30 W
Operating Temperature   Humidity	14 ~ 122°F / -10 ~ 50°C   5 ~ 90% RH
Regulations	FCC(A), CE, RoHs
Compatible Mounts	WALL VZ-WM50, VZ-AM02-A CEILING VZ-CMKIT-01, VZ-CM308

## INTERFACE



1. DC 24V IN
2. HDMI IN
3. VGA IN
4. Audio IN
5. CVBS (BNC) IN / OUT