

## VM-17U-36

### 17" 5:4 Aspect Ratio Monitors – 17 Inch Square Monitor

- 17" 4:3 Aspect Ratio Monitor
- 1280 x 1024 Resolution (SXGA)
- 350 Nits Brightness
- *TRU-Tuff* Ensures Maximum Shock & Vibration Resistance
- Auto Re-Start After Power Loss with Lockable On-Screen Display (OSD) Controls
- Can Be Customized to Meet Your Needs
- 3-Year Warranty



### 17 INCH SQUARE MONITOR 5:4 ASPECT RATIO

The VM-17 Series are industrial 17 inch LCD monitors. They offer 1280 x 1024 resolution and a 5:4 aspect ratio, often called square monitors. Additionally, the panels offer up to 300 nits brightness. They are ideal for use with analog cameras, and BNC cameras. Likewise, many legacy machine vision systems benefit. Furthermore, we build them with true industrial-grade components for long-term reliability. For example, they receive our exclusive TRU-Tuff treatment. Moreover, the TRU-Tuff process includes RTV silicone on all connections and critical components. Additionally, all wires are dressed, tie-wrapped and secured. Lastly, we apply ThreadLock to all screws to ensure they remain secured. Most importantly, this results in a rugged, dependable monitor you can rely on.

### VIDEO MONITORS BUILT FOR DEMANDING APPLICATIONS

The VM-17 Series also provide a brighter-than-normal, with 300 nits brightness. The result is crisp, vibrant video images. *TRU-Vu* industrial LCD monitors are specifically designed for use in demanding industrial, commercial, and A/V applications. For instance, every *TRU-Vu* monitor utilizes industrial-grade components and high-end LCD panels not found in retail or consumer-grade monitors. This ensures superior image quality, improved performance and greater durability.

The VM-17 Series industrial 17" LCD monitors offer a variety of video inputs and are available in standard, open frame, rack mount, panel mount, NEMA/IP waterproof, and touch screen configurations. An extensive list of available OEM options enables you to customize a solution to your specific needs. We offer numerous other monitors in similar sizes and brightness levels from which to choose. They can also be private-labeled with your company name and/or logo on the front bezel.

### 17" SQUARE MONITORS DEPLOYED WORLDWIDE

The VM-17 Series 17 inch monitor 5:4 aspect ratio are deployed in many industries and applications. This includes manufacturing plants, machine vision inspection systems, and food and beverage plants. They are also found in surveillance systems, specialty vehicles and museums.

TRU-Vu monitors are backed by our full 3-year warranty. Consequently, this ensures you of many years of reliable service.

In conclusion, see our full line of standard brightness monitors and 13.3" to 19" monitors for similar models to the VM-17 Series.

### OUR LCD EXPERTS ARE READY TO HELP YOU FIND A GREAT DISPLAY

With over 200 LCD monitors and touch screens on our site, selecting the ideal equipment, or touch screen solution may be a

bit overwhelming. To help narrow down the choices, check out our [Advanced Search Tool](#). For example, this enables you to filter by your own specific search requirements.

Finally, our team members are ready to help! We can determine the exact solution that will meet your specific needs . Certainly, TRU-Vu will help provide clear images for your operating requirements . Call (847) 259-2344 today to speak with one of our specialists. Above all, we will listen. It's one of the things we do best. Our professional advisors will ensure the monitor or touch screen you receive will be and do everything you had hoped it would!

If you prefer, fill out a [quick form](#) with your requirements, and we will guide you to the proper models that will work best.

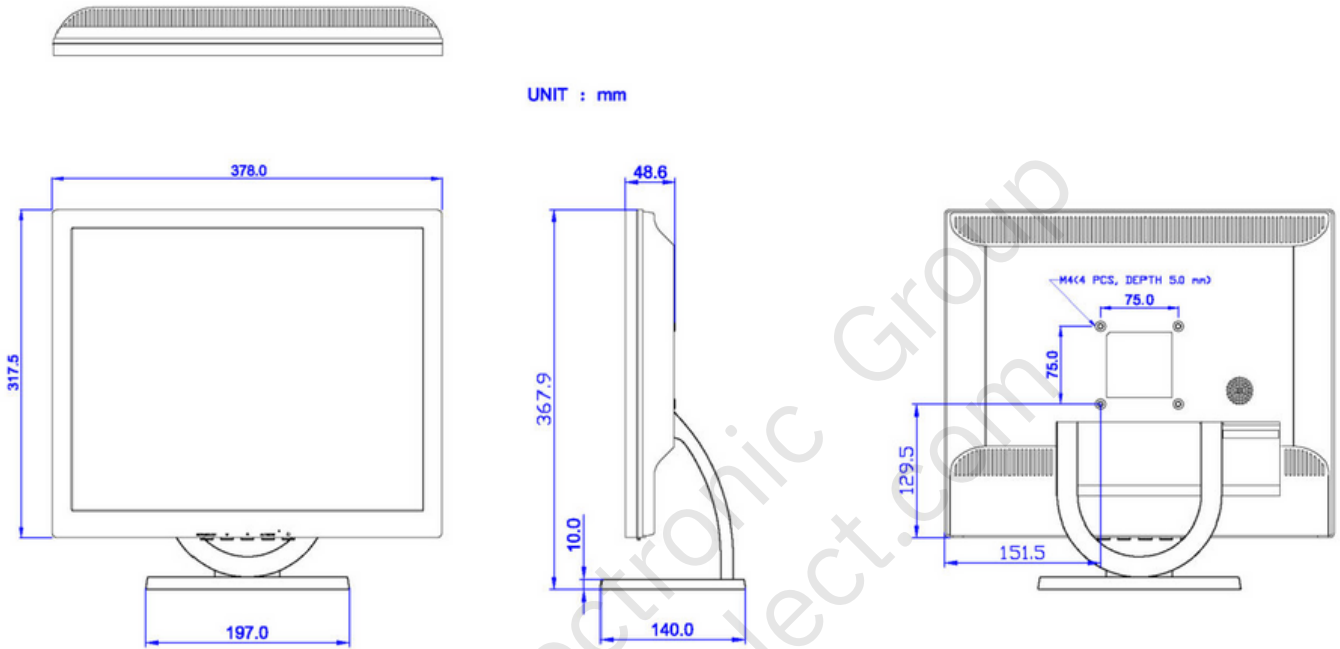
To see technical information, tips, tricks and guides to LCD monitors and technology, visit our [TECH CENTER](#).

## SPECIFICATIONS

	<b>VM-17C-36</b>
LCD Panel	17" Color LCD (LED Backlights)
Display	1280 x 1024 (SXGA)
Viewable Area	13.3" (W) x 10.64" (H)
Pixel Pitch	0.264mm x 0.264mm
Display Colors	16.7 Million
Aspect Ratio	4:3 (5:4)
Brightness	300 nits
Contrast Ratio	1,000:1
Viewing Angle	170° (H) x 160° (V)
Response Time	5 msec Trf
Control	OSD (On-Screen Display) via Front Panel Pushbuttons
Video Inputs	VGA, DVI
Internal Speakers	Dual Front
Power Requirement	9-36 VDC (2.5mm Locking Connector)
Power Consumption	40 Watts
Enclosure	ABS
Mounting	75x75mm Rear VESA Mount Holes (M4 x 6mm Screws)
Operating Temperature	14° to 122° F (-10° to 50° C)
Humidity	5-90% RH
Shock	50 G (20 msec, ½ sine)
Vibration	1.5G RMS 10-200 HZ
Approvals	UL/cUL, FCC, CE, TUV, RoHS
Dimensions	14.88" (W) x 12.50" (H) x 1.91" (D) (378 x 317.5 x 48.6mm)
Weight	6.9 lbs. (2.99kg)
Warranty	3-Years

Note: Specifications subject to change without notice.

## DIMENSIONS (MM)



VM-17 Series

**Standard Accessories:**

- 2.5mm Locking Power Pigtail Cable
- VGA Cable
- Audio Cable

**Available Options:**

- 90-240 VAC Power Adapter (PS-12-LC)
- Waterproof Enclosure
- Protective/Anti-Reflective Glass
- Touch Screen
- Rack Mount Bracket MB-Rack-17
- Open-Frame Configuration
- Private Label
- Other Customer – Specific Modifications