

SXOBH-65-3

65" Sunlight Readable Waterproof Outdoor Monitor / TV



- Ultra-Bright – 2,500 Nits Brightness
- Optical Bonding Improves Contrast Ratio and Image Quality
- IP 66 Fully-Sealed Waterproof Enclosure (NEMA 6)
- Mount in Landscape or Portrait Mode
- Ambient Light Sensor Adjusts Screen Brightness Automatically
- Anti-Reflective, Impact-Resistant Safety Glass, Rated IK10
- -31° to +140° Operating Temperature
- Remote Diagnostics (SNMP Protocol)
- Auto Re-Start After Power Loss
- Built-in TV Tuner
- 12 VDC and 5 VDC Power Outputs
- KeyLock Function

65" OUTDOOR TV

The SXOBH-65-3 is the best outdoor Full Sun 65" TV waterproof monitor on the market. It is representative of the most advanced technology available today for a 65" outside TV. Our Optically Bonded high-brightness 65" monitor screen features 2,500 nits screen brightness. This enables users to see sharp video images, even with bright sunlight shining directly on the screen. Thanks to our special polarizer, our high brightness monitor operates in both Portrait and Landscape modes. Our SXOBH-65-3 features a fully-sealed, corrosion-resistant enclosure. Furthermore, it has an IP66/NEMA 6 rating. We offer the ultimate solution for 65" Outdoor TV or 65" Outdoor Digital Signage use. Consequently, It has gained popularity for challenging industrial environments indoors. Lastly, Remote-Monitoring is supported via IP-addressable user interface for temperature, humidity and power draw diagnostics of the display.

ULTRA HIGH BRIGHT OUTDOOR TV SCREEN 2500 NITS



Our Optically Bonded LCD screen will provide an amazing 2,500 nits brightness on this model. SXOBH-65-3 monitors are designed for use in direct sunlight. Likewise, they are also perfect for other high ambient-light conditions. We utilize state-of-the-art LED backlights. In contrast, this is over 8 to 12 times brighter than standard monitors. For example, standard monitors offer only 200-300 nits brightness. The result is an amazingly bright screen. This will provide you with crystal-clear images even with bright, direct sunlight on the face of the screen. Additionally, the internal LCD panel is rated up to 230°F (110°C) operating temperature. Therefore the screen will never go isotropic (turn black), even at extreme operating temperatures. This is a very common problem for other monitors in direct, bright sunlight on very hot days.

Rated IK10, the impact-resistant tempered cover glass protects the screen against vandalism and debris. Anti-Reflective, UV-protective safety glass will reduce glare and reflections. At the same time it will protect the LCD panel. With glass 5mm thick, it is rated IK10+. For example, it will withstand a direct impact from a baseball thrown at 60 MPH! It is also features Optical Bonding. The perceived contrast ratio is increased, and it will reduce glare. Consequently, this results in amazing picture quality , even in direct sunlight.

IK10 Rated Cover Glass

The robustness of the display goes another step further in that the cover glass is fully tempered, anti-reflective and is IK10 rated*. The IK10 rating states that it will survive 20J of impact energy, making it perfect for public spaces.



65" outside tv

OUTDOOR LCD DISPLAY

The SXOBH-65-3 Sunlight Readable outdoor TV monitors are extremely rugged. We design the 65" Outdoor Digital Signage with true industrial-grade components. For instance, the rugged corrosion-resistant aluminum enclosure is rated IP 66 (NEMA 6). Displays are completely sealed against water, moisture, dirt, sand, metal shavings and insects. SXOBH-65-3 has a patented thermal control system which keeps the monitor cool in summer and warm in winter.

65" OUTSIDE TV MONITOR WITH EXTREME OPERATING TEMPERATURES

The SXOBH-65-3 high brightness displays are designed to operate in nearly any environmental conditions. Whether in frigid temperatures or blazing heat, these sunlight displays will survive and thrive. To clarify, these outdoor monitors will operate in temperatures down to -31°F (-35°C). They will also withstand brutal heat. Moreover, operating temperatures go up to 140°F (60°C). Another key factor is that the internal LCD panel is actually rated to 230°F (110°C). This is far higher than nearly any other LCD panel available today. This ensures that the monitor will never experience isotropic black-outs, where the screen turns dark due to excessive heat. This is a major problem for standard LCD monitors. These special LCD panels enable our SXOBH Series monitors to operate in the hottest environments on earth!

High TNi Commercial Display

Prevents Isotropic Blackouts



Without High TNi Panel



Without an extended heat rating for the LCD panel itself, the probability of having an isotropic blackout is likely. To avoid panel blackouts, a High TNi panel must be used if and when a display is ever to live in direct sunlight.



With High TNi Panel

FULL SUN 65" TV: WATERPROOF OUTDOOR DISPLAY USED WORLDWIDE

Our 65" Sunlight Readable 2500 nit screen brightness monitors deploy into a wide range of demanding industries. For example, military, law enforcement, digital signage, and sports stadiums benefit. You will also find them in inspection, amusement parks, on ships, and in train and bus stations, TRU-Vu monitors are backed by our full 3-Year Warranty. We ensure you of many years of reliable service.

VIDEO: See our SXOBH Series Monitor in action, washed down by a fire department hose below.

TRU-VU IS READY TO HELP YOU FIND THE BEST WEATHER PROOF OUTDOOR TV MONITOR

With over 200 LCD monitors and touch screens on our site, selecting the ideal equipment, or Full Sun 65" TV may be a bit overwhelming. To help narrow-down the choices, check out our [Advanced Search Tool](#). For example, this enables you to filter by your own specific search requirements. See our full line-up of industrial-grade [Sunlight Readable](#) and [Daylight Readable](#). This highlights all of our high brightness monitors. Shop by size [21.5" to 65" monitors](#), or see our full line of [Waterproof Outdoor Monitors](#). Also visit our wide range of LCD monitor mounts and stands to complete your installation. Custom OEM LCD Displays and Private Label Monitors are also an option if you have specific requirements.

Finally, our team members are ready to help! We can determine the exact 65" Outdoor Digital Signage or Outdoor TV that will meet your specific needs. Certainly, TRU-Vu will help provide crystal-clear images for your operating requirements. Call (847) 259-2344 today to speak with one of our specialists. Above all, we will listen. It's one of the things we do best. Our professional advisors will ensure the 65" outside TV you receive will be and do everything you had hoped it would!

If you prefer, fill out a quick form with your requirements, and we will guide you to the proper models that will work best.

SXOBH-65-3 User Manual

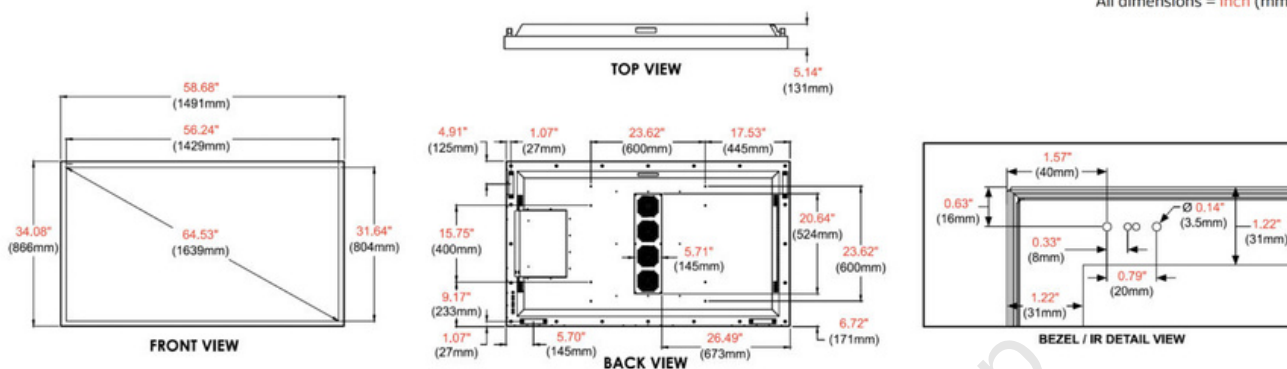
SPECIFICATIONS

	SXOBH-65-3
LCD Panel	65" IPS Panel
Screen Treatment	Optical Bonding
Display Resolution	1920 x 1080p Full HD
Viewable Area	56.24" (W) x 32.50" (H) (1428.5 x 825.5mm)
Display Orientation	Landscape or Portrait Mode
Pixel Pitch	.74 x .74mm
Display Colors	8 Bit, 16.7 Million Colors
Aspect Ratio	16:9
Brightness	2,500 nits
Contrast Ratio	4,000:1
Ambient Light Sensor	Standard
Optical bonding	Standard
Viewing Angle	178° (H) x 178° (V)
Response Time	8ms (Gray to Gray)
Video Inputs	HDMI (2), DisplayPort, CVBS Composite
Audio Inputs	VGA Stereo Audio 3.5mm (x1)
Audio Outputs	3.5mm Headphone Jack (x1) & Optical (x1)
Control	Remote Control with IR extender; RS-232 Control
Power Requirement	100 VAC to 240 VAC, 50-60 Hz
Power Consumption	297.5W
Enclosure / IP Rating	Rugged Corrosion-Resistant Aluminum; IP66 / NEMA 6 Prevents water, dust, moisture, insects.
Protective Glass	5mm Tempered Anti-Reflective Glass (IK10 Rated)
Mounting	600mm x 400mm, 600mm x 600mm VESA Hole Pattern
Operating Temperature	-31°F to +140°F (-35°C to +60°C)
Dimensions	58.68" (W) x 34.08" (H) x 5.14"(D) (1491x866x131mm)
Net Weight	154 lb (69.85kg)
Approvals	FCC Class A, cULus, CE, UKCA
TAA Compliant	Yes
Shipping Carton	68" x 45" x 32"; 204.4 lbs

Note: Specifications subject to change without notice.

DIMENSIONS (MM)

All dimensions = inch (mm)



SXOBH-65-3

Standard Accessories:

- AC Power Cord
- IR Extender
- Universal Remote Control
- 3mm Hex Wrench

Available Options:

- Outdoor Universal Tilt Wall Mount (MBX-650)
- Outdoor Universal Wind-Rated Wall Mount
- Outdoor Articulating Wall Mount (MBX-763)
- Outdoor Universal Flat Mount MBX-WMU

SXOBH Series User Manual