

SRMH-13.3U-36

13.3" 1,500 nits Brightness Monitor

- 1,500 nits Brightness – Clear, Sharp Images Even in Direct Bright Sunlight
- Full HD Resolution: 1920 x 1080 (1080p/60)
- Ambient Light Sensor Adjusts Screen Brightness Automatically
- Lockable On-Screen Display (OSD) Controls with Auto Re-Start After Power Loss
- *TRU-Tuff* Ensures Maximum Shock and Vibration Resistance
- 9-36VDC
- Can Be Customized to Meet Your Needs
- 3-Year Warranty



13" SUNLIGHT READABLE DISPLAYS: For Use in Bright Sunlight

The SRMH-13.3U-36 are 13.3" 1500 nit monitors. They feature at least 1500 nits brightness and a 16:9 aspect ratio. We design the SRMH-13.3U-36 monitors for use in direct sunlight. Consequently, they are also perfect for other high ambient-light conditions. They utilize state-of-the-art LED backlights. The models in this series produce at least 1,500 nits brightness. In contrast, this is over 3 to 5 times brighter than standard monitors. For example, standard monitors are only 200-300 nits brightness. Therefore, the result is amazingly bright screen. This will provide you with crystal-clear images, even with bright, direct sunlight on the face of the screen.

RUGGED INDUSTRIAL MONITORS 1920 x 1080 (1080P/60 Full HD)

The SRMH-13.3U-36 13.3" 1500 nit monitors are extremely rugged. For instance, we build them with true industrial-grade components. Furthermore, they receive our exclusive *TRU-Tuff* treatment. The *TRU-Tuff* process includes RTV silicone on all connections and critical components. Additionally, all wires are dressed, tie-wrapped and secured. Lastly, we apply ThreadLock to all screws. The steel enclosure will ensure maximum shock and vibration resistance for this rugged 1500 nit monitor.

13" MONITOR WITH EXTREME OPERATING TEMPERATURES

We design the SRMH-13.3U 1500 nit monitors to operate in nearly any environmental conditions. Whether in frigid conditions or blazing heat, these sunlight displays will survive and thrive. To clarify, these monitors will operate in temperatures down to -4°F (-20°C). They will also withstand brutal heat. Moreover, operating temperatures go up to 158°F (+70°C). The rugged steel enclosure assures these 13.3" high brightness displays will provide years of reliable imaging performance. Specifically, typical MTBF for these monitors is 50,000 hours.

13" MONITORS DEPLOYED WORLDWIDE

Our 13.3" 1500 nit monitors have been deployed in a wide range of demanding industries. For example, military, law enforcement, aviation and entertainment benefit. They are also found in inspection, surveying, cranes, and transportation. *TRU-Vu* monitors are backed by our full 3-Year Warranty. This ensures you of many years of reliable service.

OUR TECHNICAL EXPERTS CAN GUIDE YOU TO THE BEST HIGH BRIGHTNESS 13" MONITOR

See our full line-up of industrial-grade Sunlight Readable and Daylight Readable monitors and touchscreens. This highlights all of our high brightness monitors. With over 540 LCD monitors and touch screens on our site, selecting the ideal

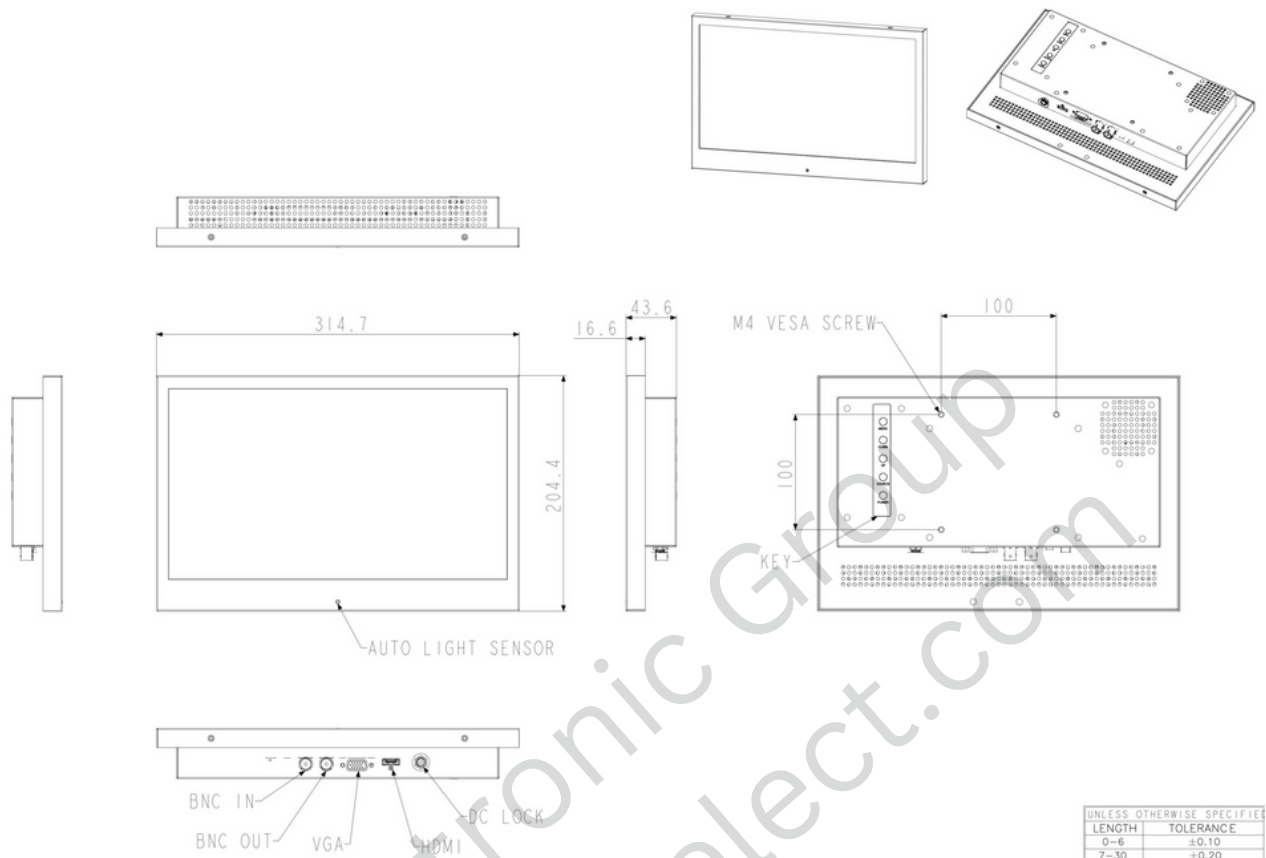
equipment, or touch screen solution may be a bit overwhelming. To help narrow-down the choices, check out our Advanced Search Tool. For example, this enables you to filter by your own important features. Shop by size **13 to 19" Monitors** or view only **24VDC monitors**. Custom OEM LCD Displays and Private Label Monitors are also an option if you have very specific requirements. Visit our wide range of LCD monitor mounts and stands to complete your installation.

SPECIFICATIONS

	SRMH-13.3U-36
LCD Panel	13.3" AHVA LCD; LED Backlights
Display Resolution	1920 x 1080 (1080P/60 Full HD)
Viewable Area	11.55" (W) x 6.50" (H) (293.472 x 165.078 mm)
Pixel Pitch	0.15285mm
Display Colors	16.2 M
Aspect Ratio	16:9
Brightness	1,500 nits
Contrast Ratio	800:1
Viewing Angle	178° (H) x 178° (V)
Response Time	25msec Trf
Control	OSD (On-Screen Display) via Rear Panel Pushbuttons
Video Inputs	VGA, HDMI, Composite (BNC Loop-Thru)
Power Requirement	9-36 VDC (2.5 mm Plug)
Power Consumption	29W
Enclosure	Painted Steel
Mounting	100 x 100mm Rear VESA Mount Holes (M4 x 6mm Screws)
Operating	-4° to 158° F (-20° to +70° C)
Humidity	5-90% RH
Shock	50 G (20 msec, 1/2 sine)
Vibration	1.5G RMS 10-200 HZ
Dimensions	12.39" (W) x 8.05" (H) x 1.72" (D) (314.7 x 204.4 x 43.6 mm)
Weight	4 lbs (1.81 kg)
Warranty	3 Years

Note: Specifications subject to change without notice.

DIMENSIONS (MM)



Model Name: SRMH-13.3U-36

UNLESS OTHERWISE SPECIFIED	
LENGTH	TOLERANCE
0-6	±0.10
7-30	±0.20
31-100	±0.30
101-300	±0.50
301-UP	±0.70
ANGLE	±1.0°

Standard Accessories:

- 2.5mm Power Pigtail Cable
- HDMI Cable
- VGA Cable

Available Options:

- 90-240VAC External Power Supply (PS-12-LC)
- DVI Input
- Stainless Steel NEMA 4X Waterproof Enclosure
- Protective Anti-Reflective Glass
- Tabletop Base
- Wall Mount Bracket
- Panel Mount
- Other Customer – Specific Modifications