

# KNC-HMSS347-iB

FHD 2.13MP High Resolution

IP Camera



## features

- 1/2.8" Progressive Scan STARVIS CMOS
- 1920x1080@30(25)fps
- H.264 High Profiles
- Fixed lens 3.6mm
- Electronic Day&Night
- 3D DNR, DSS, BLC, DWDR, Defog
- PoE / 12VDC

1/2.8"

30/25fps  
FHD



CMOS

1080p

MOTION



DNR



DSS



VIDEO



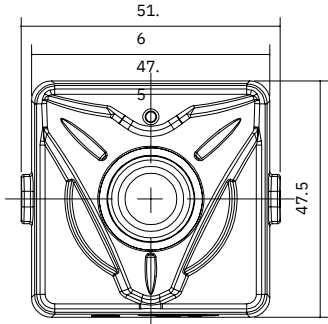
Rolling  
Shutter

## Specifications

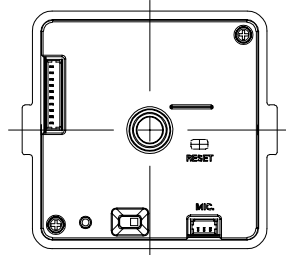
Image Sensor	1/2.8" Progressive Scan STARVIS CMOS	
Effective Pixels	1945(H)x1097(V)	
Scanning	Progressive scan	
Video Output	Network	Network
	Analog	NIL
Lens	Type	Fixed lens
	Focal Length	3.6mm, F 2.6
Board Lens	Angle of View	-
	2.8mm	
	3.6mm	117.1(D) x 94.1(H) x 49.8(V)
	6.0mm	
	8.0mm	
White Balance	Method	Automatic, Outdoor, Shade, Clear sky, Fluorescent light, Light bulb, Manual
	Dynamic Range	DOL-HDR
Electronic Shutter Speed	Level(dB)	113dB (Estimated)
	Auto Gain Control(AGC)	1/25(30)~1/30,000
Day&Night	Automatic/Day/Night (Electronic D&N)	
Digital Slow Shutter(DSS)	Off~2	
Noise Reduction	3D DNR	
Motion Detection	4 Zones	
Privacy Masking Zone	8 Zones	
Image Rotation	Off/Flip/Mirror	
Lens Distortion Correction (LDC)	On/Off	
Image Stabilization (DIS)	NIL	
Defog	Off/On(Level:1~3)	
Alarm	Alarm In/Out	NIL
	Alarm Triggers	Motion, Tamper, System, Manual, Network, Timer, Day/Night, Audio Detec
	Alarm Events	E-Mail, FTP, Video Boost, Image(AE), Notification Server

Ethernet	10/100 Base-T LAN	
Video Compression Format	H.264 (High,Main) Profile, MJPEG	
Video Resolution	1920x1080, 1280x720, 1024x576, 768x432, 704x392, 640x360, 384x216	
Max. Frame Rate	First: 1080p 30(25)fps (H.264, MJPEG) Second : 720p 30(25)fps (H.264, MJPEG) Third : 640x360 30(25)fps (H.264, MJPEG)	
Streaming Capability	Simultaneously H.264 and MJPEG (Quad Streaming)	
Streaming Method	Unicast, Multicast	
Bitrate Control	H.264:CBR, VBR	
Max. User Access	10 clients	
Audio	Audio In/Out	1CH Audio in
	Compression Format	G.711
Communication	2way	
IP	IPv4, IPv6	
Protocol	TCP/IP, UDP, IPv4/v6, HTTP, HTTPS, FTP, UPnP, RTP, RTSP, RTCP, DHCP, ARP, Zeroconf, Bonjour, SNMP	
Security	-	
Web Viewer	Web Browser	Internet Explorer
	Language	English, 한국어, Tiếng Việt Nam, 日本語, 中文
External Storage	NIL	
SW Integration API	API, Onvif (Profile S/T Compliant)	
Ingress Protection Grade	NIL	
Color/Material	Black / Aluminum	
Dimension(mm)	47.5mmX47.5mm	
Weight	Approx.112g (with PoE DC12V) / Approx.98.6g (with DC12V Cable)	
Operating Temperature	-10°C~-+50°C, Humidity(Less than 90%)	
Storage Temperature	-20°C~-+60°C, Humidity(Less than 90%)	
Vandal Resistance	NIL	
Supply Voltage	12VDC(±10%), PoE(IEEE802.3af)	
Power Consumption	12VDC(Max.240mA), PoE(Max.2.5w)	

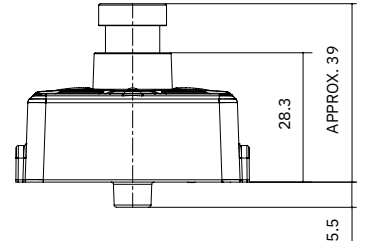
## Dimension



Top



Bottom



Side

Aegis Electronic Group  
www.aegiselect.com

