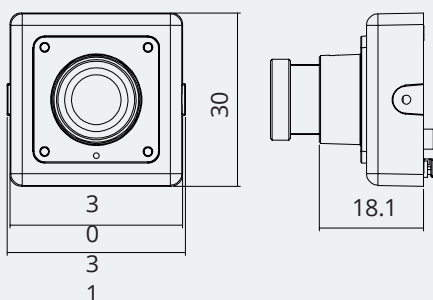


4 IN 1 Camera

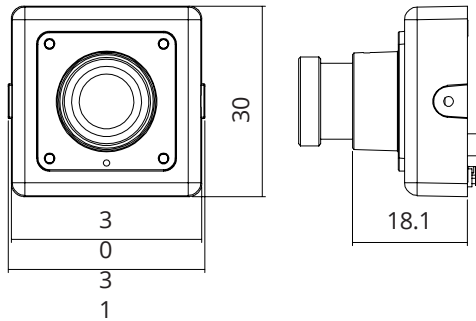
KTC-HMS7130-HMB

- 1/2.8" SONY EXMOR R Progressive Scan CMOS
- 1080p(1920x1080)@30(25)fps
- 6in1 Output(AVI, TVI, CVI, EX-SDI, HD-SDI, CVBS) • Fixed lens 3.6mm
- Electronic Day&Night
- WDR, 3D DNR, Defog
- UTC function supports OSD Control
- 30mm Mini Square Camera



KTC-HMS7130-HMB Dimensions

Unit : mm



Specifications

Image Sensor	1/2.8" SONY EXMOR R Progressive Scan CMOS	Privacy Mask	16 Zones
Effective Pixels	1945(H) x 1097(V)	Image Rotation	OFF/H-FLIP/V-FLIP/HV-FLIP
Max. Video Resolution	HD-SDI/EX-SDI1.0/EX-SDI2.0/AVI/TVI/CVI: 1080p@30fps(25fps)/720p@60fps(50fps)/ 720p@30fps(25fps) TV out: CVBS NTSC/PAL	Defog	OFF/ON(AUTO/MANUAL)
Type	Fixed lens	Sharpness	0~10
Lens Focal Length	3.6mm, F 2.0	OSD control	Cable JOYSTIC, UTC
Angle of View	112.3(D)x93.7(H)x49.3 (V)	Language	ENGLISH, Русский, ESPAÑOL, DEUTSCH, FRANCAISE, PORTUGUÉS, 日本語, 한국어
Min.Illumination	0.2Lux(F2.0, AGC33dB, DSS:x2)	Video Output mode	HD-SDI/EX-SDI1.0/EX-SDI2.0/AVI/CVI/TVI/CVBS
IR LEDs	-	General	
IR Range	-	IP Rating	-
White Balance	AUTO/AUTO EXT/PUSH LOCK/MANUAL	Operating Temperature	-10°C~+50°C
WDR/BLC	OFF/BLC/HLC/WDR15P/WDR30P(4 Zones selectable)	Storage Temperature	-20°C~+60°C
D-WDR	OFF/LOW/MIDDLE/HIGH	Dimension(mm)	30X30mm
Level	135.6dB	Weight	Approx.27.5g (Board lens)
Electronic Shutter Speed	AUTO/FLICKER/MANUAL/(1/30(25)~1/30,000)	Power Source	12VDC(±10%)
Digital Slow Shutter(DSS)	OFF~ x32	Power Consumption	Max.130mA@12VDC
Auto Gain Control(AGC)	OFF~45dB	Option	
Day&Night	AUTO/COLOR/B&W (Electronic D&N)	Power Source	-
Noise Deduction	3D-DNR(OFF/LOW/MIDDLE/HIGH)	Power Consumption	-
Motion Detection	OFF/ON(4 Zones)	Lens	KTC-HMS7130-HMP4: 4.3mm Pinhole