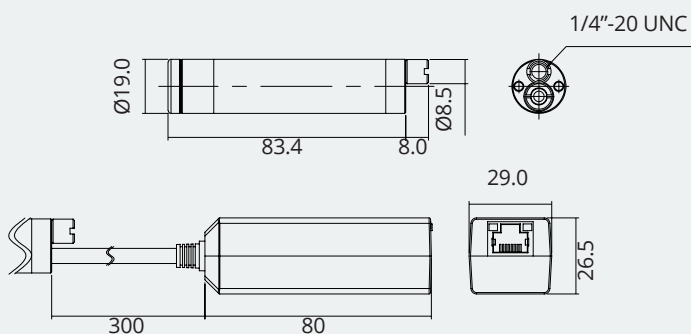


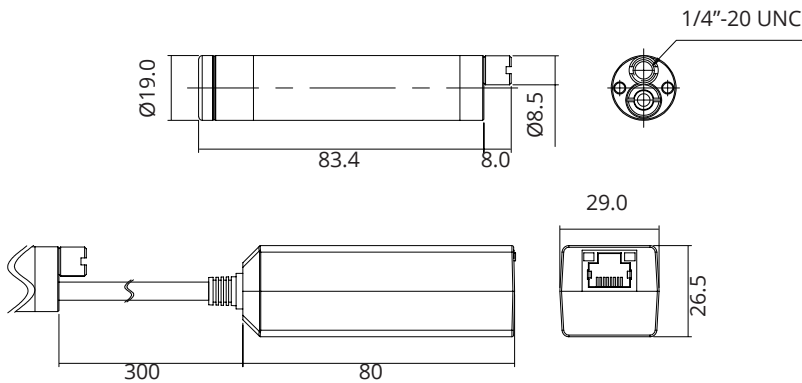
IP Camera

KNC-HMB6319-iWX

- 1/2.8" 2.13MP Sony STARVIS CMOS
- 1080p(1920x1080)@30(25)fps
- H.264 Main/Baseline Profiles
- Fixed lens 3.6mm available
- Electronic Day&Night
- 3D DNR, DSS, BLC, WDR
- 12VDC / PoE



KNC-HMB6319-iWX Dimensions



Specifications

Image Sensor 1/2.8" Progressive Scan SONY STARVIS CMOS Effective
 Pixels 1945(H) x 1097(V)
 Scanning Progressive scan
 Min. Illumination 0.05Lux(F2.5, DSS Off) / 0.01Lux(DSS On)
 S/N ratio ≤ 50dB
 Video Network Network
 Output Analog CVBS
 Type Fixed lens
 Lens Focal Length 3.6mm, F 2.0
 Angle of View -
 2.8mm -
 Board 3.6mm 112.3(D)x93.7(H)x49.3(V)
 Lens 6.0mm 62.1(D)x53.9(H)x30.1(V)
 8.0mm 44.8(D)x39.3(H)x22.4(V)
 4.3mm -
 White Balance Auto, 3000K, 5000K, 8000K
 Dynamic Method Double Shutter WDR
 Range Level (dB) 116dB (Estimated)
 Electronic Shutter
 Speed 1/25(30)~1/30,000
 Auto Gain Control (AGC) Off~69dB
 Day & Night AUTO/COLOR/B&W (Electronic D&N)
 Digital Slow
 Shutter (DSS) OFF~ x32
 Noise Reduction 2D, 3D DNR
 Motion Detection 60x34 Motion Block, upto 4 Zones
 Privacy Masking Zone 16 Zones
 Image Rotation -
 Lens Distortion
 Correction (LDC) -
 Image Stabilization (DIS) -
 Defog -
 Alarm In/Out -
 Alarm Alarm Triggers Motion
 Alarm Events Network

Ethernet 10/100 Base-T Ethernet
 Video Compression
 Format H.264 (Baseline, Main), MJPEG
 Video Resolution 1920x1080, 1280x720, 800x600, 704x480, 704x400, 640x480
 First: 1080p 30(25)fps (H.264)
 Max. Frame Rate Second: 640x360 30(25)fps (H.264)
 Third: 1080p 30(25)fps (MJPEG)
 Streaming Capability Multiple Streaming (Up to 3 Profiles)
 Streaming Method Unicast
 Bitrate Control H.264: CBR, VBR, CVBR
 Max. User Access 5
 Audio In/Out -
 Audio Compression Format -
 Communication -
 IP IPv4
 Protocol HTTP, HTTPS, UPnP, DNS, DDNS, RTP/RTSP, TCP/IP, UDP, DHCP, RARP
 Security -
 Web
 Web browser Internet Explorer, Edge, Safari, Firefox, Chrome
 Viewer
 Language English
 External Storage -
 SW Integration API Onvif, RTSP, KT&C API
 Ingress Protection Grade IP67
 Color/Material Black / AL
 Dimension (mm) Φ19x83.4mm
 Weight Approx. 85.5g (with PoE Cable)
 Operating Temperature -10°C~+50°C
 Storage Temperature -20°C~+60°C
 Vandal Resistance -
 Supply Voltage 12VDC(±10%), PoE (IEEE802.3af)
 Power Consumption 12VDC (Max. 170mA), PoE (Max. 3.1W)