

FC24MG



NEW

FOCAL LENGTHS

LM75FC24M

75
mm

LM100FC24

100
mm

M

1.1"

24
MP

2.5 μ m

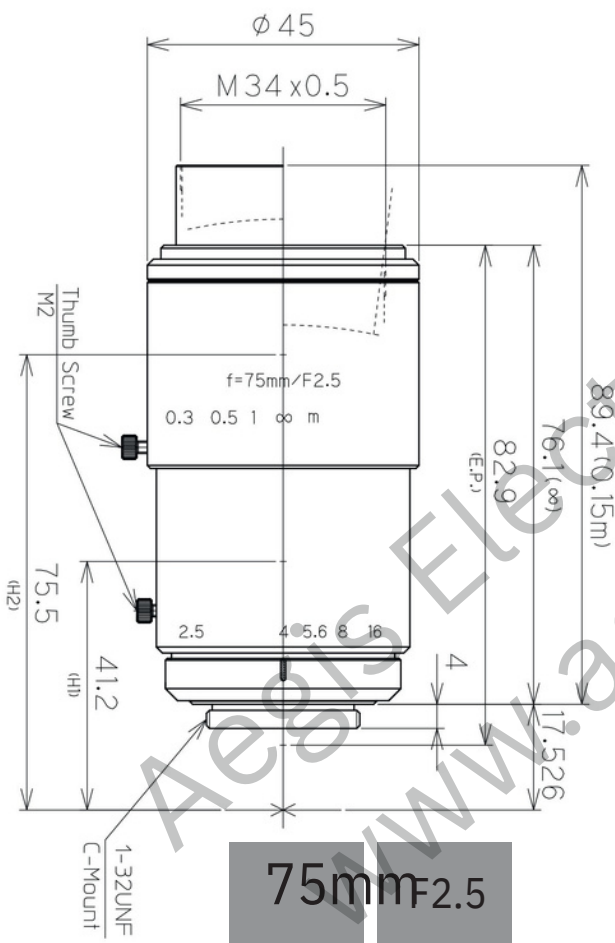
FC24M

1.1" 24 2.5μm MP

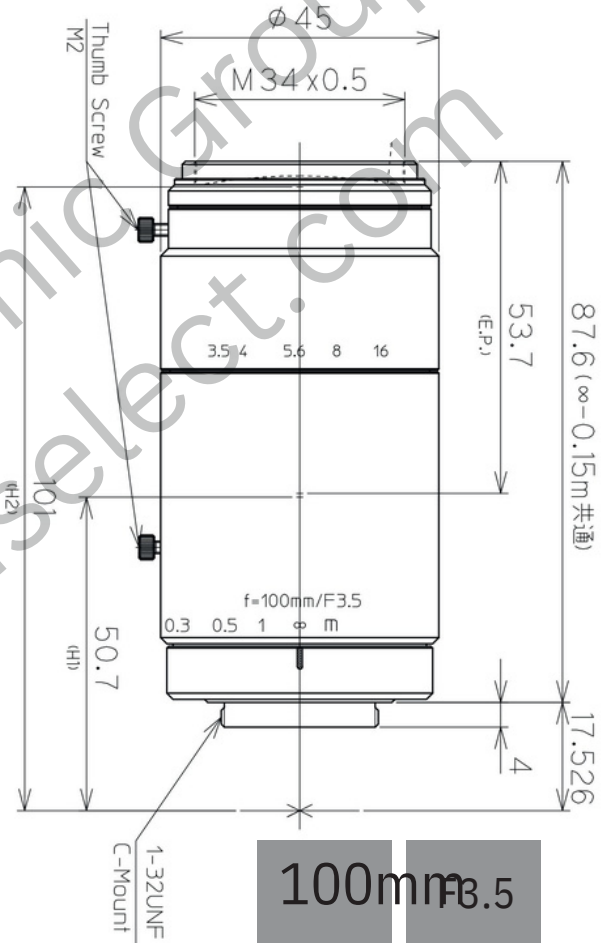
- > Compatible with 1.2" format size
- > High transmission from the visible to NIR wavelength range
- > Superior optical performance from close distance to infinity

NEW LM75FC24M

NEW LM100FC24M



75mm F2.5



100mm F3.5

| Focal length | Pixel pitch | Minimum working distance | Angle of view (Horizontal) | Angle of view (Vertical) | Filter thread (mm) | Operating temperature |
|--------------|-------------|--------------------------|----------------------------|--------------------------|--------------------|-----------------------|
| 75mm | 2.5μm | 0.15m | 10.7° | 8.0° | M34 x 0.5 | -10 ~ +50oC |
| 100mm | 2.5μm | 0.15m | 7.9° | 6.0° | M34 x 0.5 | +50oC ~ +50oC |

Other lenses in the series

