



Description

Wide-band SWIR camera

Features

Equipped with IMX991 or IMX990 with sensitivity of 400 to 1,700 nm
0.3 MP or 1.3 MP resolution, and GigE Vision, Camera Link, or
USB3 Vision interface

Efficient heat dissipation with built-in Peltier element

Product Line-up

Model	Capable bandwidth	Monochrome/Color	Resolution	Frame Rate	Effective Pixels (H x V)	Sensor Size	Cell Size (µm)	Sensor	Lens Mount	General Specifications
STC-LBS34POE-SWIR	400 - 1,700 nm	Monochrome	0.3M	242 fps	656 × 520	1/4	5 × 5	IMX991	C	GigE Vision PoE supported
STC-LBS132POE-SWIR		Monochrome	1.3M	84 fps	1280 × 1024	1/2		IMX990		
STC-LBS34CL-SWIR *	400 - 1,700 nm	Monochrome	0.3M	258 fps	656 × 520	1/4	5 × 5	IMX991	C	CameraLink PoCL not supported
STC-LBS132CL-SWIR *		Monochrome	1.3M	134 fps	1280 × 1024	1/2		IMX990		
STC-LBS34U3V-SWIR *	400 - 1,700 nm	Monochrome	0.3M	258 fps	656 × 520	1/4	5 × 5	IMX991	C	USB3 Vision
STC-LBS132U3V-SWIR *		Monochrome	1.3M	134 fps	1280 × 1024	1/2		IMX990		

Note. Supply power to GigE Vision model via PoE or power supply and I/O cable. PoE NIC or Ethernet switch separately needed to supply power via PoE.

Note. Supply power to Camera Link or USB3 Vision model via power supply and I/O cable.

* Coming soon.

SWIR

Accessories

Screw-Fastened GigE Cables		
Model	Length	Cable Type
CAB-GE-02-RBH	2 m	Bending resistance cables
CAB-GE-03-RBH	3 m	
CAB-GE-05-RBH	5 m	
CAB-GE-10-RBH	10 m	
CAB-GE-20-RBH	20 m	
CAB-GE-40-RBH	40 m	
CAB-GE-02-RBX	2 m	Super bending resistance cables
CAB-GE-03-RBX	3 m	
CAB-GE-05-RBX	5 m	
CAB-GE-10-RBX	10 m	
CAB-GE-20-RBX	20 m	
CAB-GE-40-RBX	40 m	

Power Supply and I/O Cables	
Model	Length
FJ-VSP2 3M	3 m
FJ-VSP2 5M	5 m
FJ-VSP2 10M	10 m

Note. Please connect the cables according to the external connector specifications prescribed in your camera's specification documents, for faulty wiring can cause failure.

Note. Connect the shell of the GigE Vision model to FG.

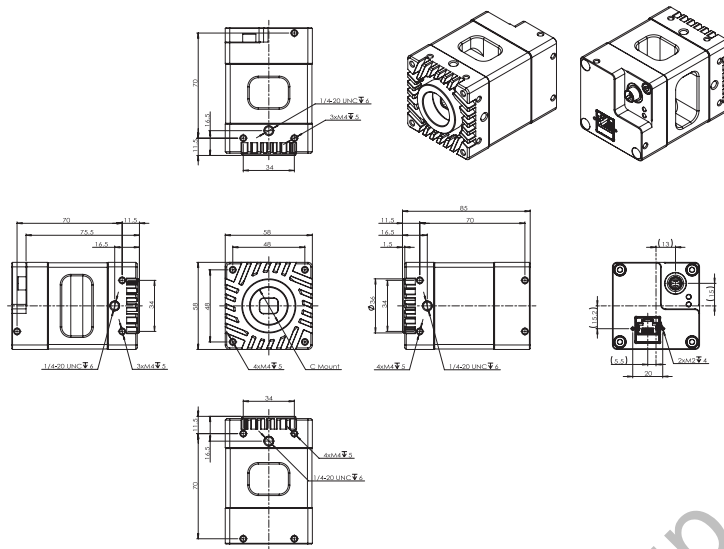
Do not connect the shell of the Camera Link or USB3 Vision model. Doing so can cause failure or malfunction.

USB 3.0 Cables (USB 3.0 Micro-B, with Camera-Side Fastening Screws)		
Model	Length	Cable Type
CAB-USB3-02	2 m	Normal
CAB-USB3-03	3.5 m	
CAB-USB3-05	5 m	
CAB-USB3-07	7 m	
CAB-USB3-10	10 m	Normal high-transmission cables
CAB-USB3-02-RB	2 m	Robot cables
CAB-USB3-03-RB	3.5 m	
CAB-USB3-05-RB	5 m	
CAB-USB3-07-RB	7 m	

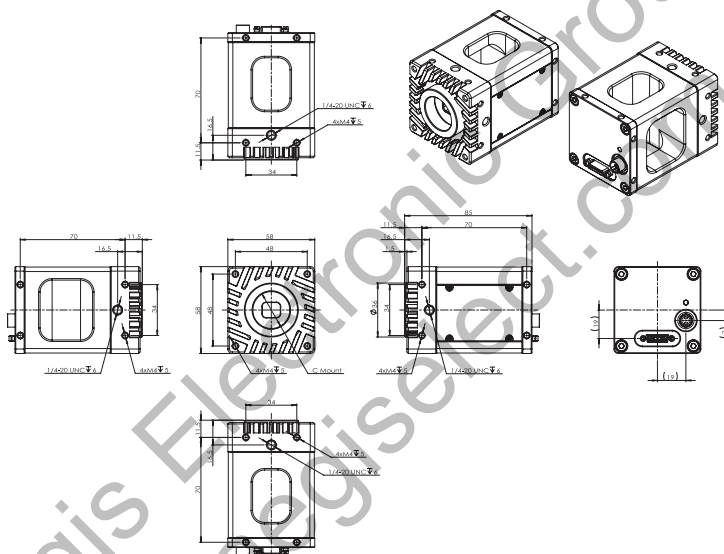
Note. Please make sure in advance that USB 3.0 cables operate correctly under your environment.

Drawing dimension

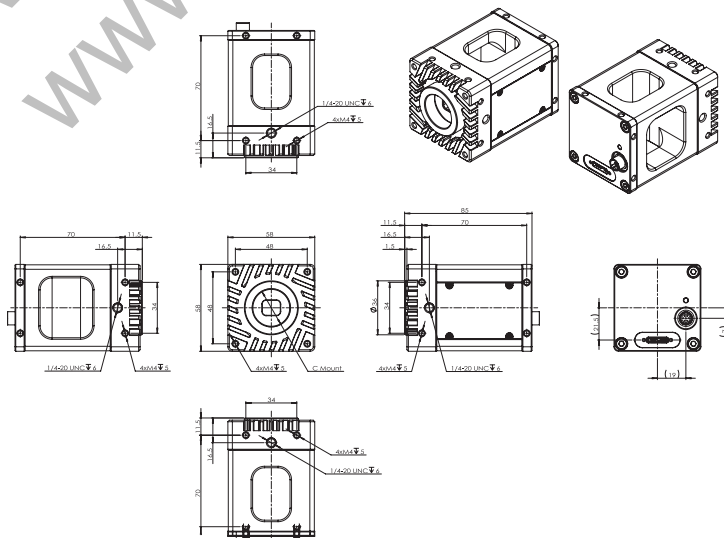
GigE Vision



Camera Link



USB3 Vision



SWIR