

Technical Catalogue



Rolling Shutter Series

Optical Auto Focus Zoom Cameras

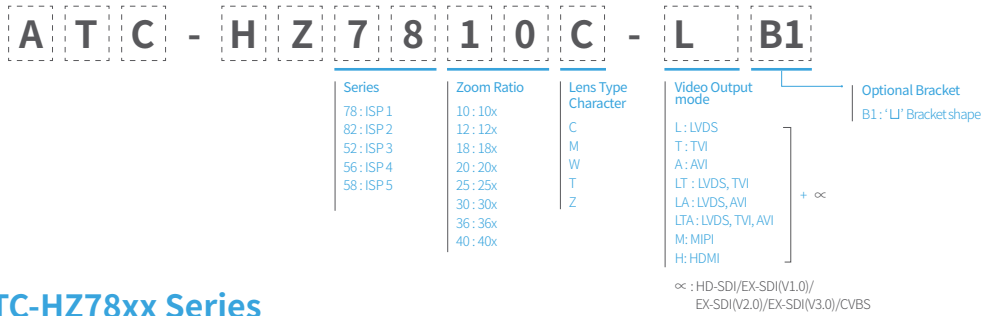




HD Auto Focus Optical Zoom Block Camera

ZOOM CAMERA

Model naming



ATC-HZ78xx Series

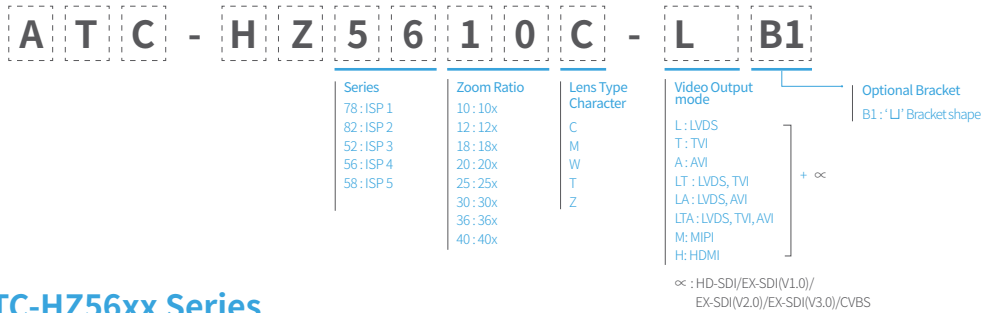
Model Name	ATC-HZ7810C-L	ATC-HZ7810C-LB1	ATC-HZ7810C-T ATC-HZ7810C-A	ATC-HZ7830W-LTA	ATC-HZ7836W-LTA	ATC-HZ7830T-LT ATC-HZ7830T-LA	ATC-HZ7830Z-LT ATC-HZ7830Z-LA
Optical Zoom Ratio	10x			30x	36x	30x	30x
Image Sensor	1/2.8" CMOS			1/2" CMOS		1/2.8" CMOS	
Video Output Mode	EX-SDI (V1.0)	<input type="radio"/>	<input type="radio"/>	<input type="radio"/>	<input type="radio"/>	<input type="radio"/>	<input type="radio"/>
	HD-SDI	<input type="radio"/>	<input type="radio"/>	<input type="radio"/>	<input type="radio"/>	<input type="radio"/>	<input type="radio"/>
	CVBS	<input type="radio"/>	<input type="radio"/>	<input type="radio"/>	<input type="radio"/>	<input type="radio"/>	<input type="radio"/>
	AVI	<input checked="" type="checkbox"/>	<input checked="" type="checkbox"/>	<input type="radio" value="A"/>	<input type="radio"/>	<input type="radio" value="LA"/>	<input type="radio"/>
	TVI	<input checked="" type="checkbox"/>	<input checked="" type="checkbox"/>	<input type="radio" value="T"/>	<input type="radio"/>	<input type="radio" value="LT"/>	<input type="radio" value="LT"/>
	LVDS	<input type="radio"/>	<input type="radio"/>	<input checked="" type="checkbox"/>	<input type="radio"/>	<input type="radio"/>	<input type="radio"/>
	Parallel	<input checked="" type="checkbox"/>	<input checked="" type="checkbox"/>	<input checked="" type="checkbox"/>	<input checked="" type="checkbox"/>	<input checked="" type="checkbox"/>	<input checked="" type="checkbox"/>
Max. Video Resolution	LVDS / HD-SDI / CVBS : Max.1080p@60(50fps) EX-SDI / AVI / TVI : Max.1080p@30(25fps)						ATC-HZ7830Z-LT HD-SDI/LVDS: 1080p@60(50fps), EX-SDI/TVI: 1080p@30(25fps) ATC-HZ7830Z-LA LA: HD-SDI/LVDS: 1080p@60(50fps), EX-SDI/AVI: 1080p@30(25fps)
D&N Mode	Auto ICR						
Image Freeze	<input type="radio"/>	<input type="radio"/>	<input type="radio"/>	<input type="radio"/>	<input type="radio"/>	<input type="radio"/>	<input type="radio"/>
Image Flip	<input type="radio"/>	<input type="radio"/>	<input type="radio"/>	<input type="radio"/>	<input type="radio"/>	<input type="radio"/>	<input type="radio"/>
Privacy Mask Zone	<input type="radio"/>	<input type="radio"/>	<input type="radio"/>	<input type="radio"/>	<input type="radio"/>	<input type="radio"/>	<input type="radio"/>
Digital Image Stabilization	<input type="radio"/>	<input type="radio"/>	<input type="radio"/>	<input type="radio"/>	<input type="radio"/>	<input type="radio"/>	<input type="radio"/>
Motion Detection	<input type="radio"/>	<input type="radio"/>	<input type="radio"/>	<input type="radio"/>	<input type="radio"/>	<input type="radio"/>	<input type="radio"/>
WDR	<input type="radio"/>	<input type="radio"/>	<input type="radio"/>	<input type="radio"/>	<input type="radio"/>	<input type="radio"/>	<input type="radio"/>
3D-DNR	<input type="radio"/>	<input type="radio"/>	<input type="radio"/>	<input type="radio"/>	<input type="radio"/>	<input type="radio"/>	<input type="radio"/>
Defog	<input type="radio"/>	<input type="radio"/>	<input type="radio"/>	<input type="radio"/>	<input type="radio"/>	<input type="radio"/>	<input type="radio"/>
UART	RS232 TTL +5.0V(+3.3V Compatible)						
Optional Model	ATC-HZ7810C-L(L): LVDS, CVBS available ATC-HZ7810C-S(S): HD-SDI, EX-SDI(1.0), CVBS available	ATC-HZ7810C-LB1(L): LVDS, CVBS available ATC-HZ7810C-SB1(S): HD-SDI, EX-SDI(1.0), CVBS available	ATC-HZ7810C-TB1, ATC-HZ7810C-AB1 : Different cage size Dimension : 38X42.4X 60.1mm	NIL			



HD Auto Focus Optical Zoom Block Camera

ZOOM CAMERA

Model naming



ATC-HZ56xx Series

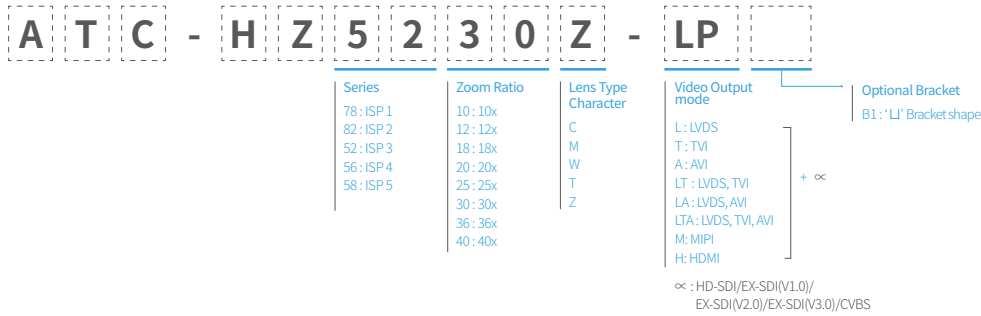
Model Name	ATC-HZ5610C-LC ATC-HZ5610C-LX	ATC-HZ5610C-PC	ATC-HZ5610C-TA	ATC-HZ5612W-LP ATC-HZ5612W-TA	ATC-HZ5630W-LP ATC-HZ5630W-TA	ATC-HZ5636W-LP ATC-HZ5636W-TA	ATC-HZ5630T-LP ATC-HZ5630T-LPX	ATC-HZ5630Z-LP	
Optical Zoom Ratio	10x			12x	30x	36x	30x	30x	
Image Sensor	1/2.8" CMOS			1/1.8" CMOS			1/2.8" CMOS		
Video Output Mode	EX-SDI (V1.0)	X	X	X	X	X	X	X	
	HD-SDI	X	X	X	X	X	X	X	
	CVBS	O	O	O	O	O	O	O	
	AVI	X	X	O	X (LP) O (TA)	X (LP) O (TA)	X (LP) O (TA)	X	X
	TVI	X	X	O	X (LP) O (TA)	X (LP) O (TA)	X (LP) O (TA)	X	X
	LVDS	O	X	X	O (LP) X (TA)	O (LP) X (TA)	O (LP) X (TA)	O	O
	Parallel	X	O	X	O (LP) X (TA)	O (LP) X (TA)	O (LP) X (TA)	O	O
Max. Video Resolution	LVDS / CVBS / Parallel : Max.1080p@60(50fps) AVI / TVI : Max.1080p@30(25fps)								
D&N Mode	Auto ICR								
Image Freeze	O	O	O	O	O	O	O	O	
Image Flip	O	O	O	O	O	O	O	O	
Privacy Mask Zone	O	O	O	O	O	O	O	O	
Digital Image Stabilization	O (LC) X (LX)	O	O	O	O	O	O (LP) X (LPX)	O	
Motion Detection	O	O	O	O	O	O	O	O	
WDR	O	O	O	O	O	O	O	O	
3D-DNR	O	O	O	O	O	O	O	O	
Defog	O	O	O	O	O	O	O	O	
UART	RS232 TTL +5.0V(+3.3V Compatible)								
Optional Model	NIL								



HD Auto Focus Optical Zoom Block Camera

ZOOM CAMERA

Model naming



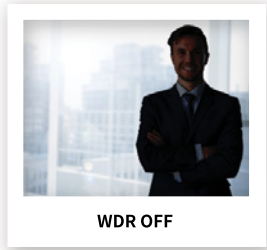
Model Name	ATC-HZ5230Z-LCN	ATC-HZ5240T-LCN	ATC-HZ8240T-LTA	ATC-UZ5818M-H
Optical Zoom Ratio	30x	40x	40x	18x
Image Sensor	1/2.8" CMOS			1/1.8" CMOS
Video Output Mode	EX-SDI	X	X	O
	HD-SDI	X	X	O
	CVBS	O	O	O
	AVI	X	X	O
	TVI	X	X	O
	LVDS	O	O	O
	Parallel	O	O	X
	HDMI	X	X	X
Max. Video Resolution	LVDS / Parallel : 1080p@60(50fps)		HD-SDI/LVDS:1080p@60(50fps), EX-SDI/TVI/AVI:1080p@30(25fps)	HDMI(1.4a) : 4K(3840x2160)@30(25fps)
D&N Mode	Auto ICR			
Image Freeze	O	O	O	O
Image Flip	O	O	O	O
Privacy Mask Zone	O	O	O	O
Digital Image Stabilization	O	O	O	O
Motion Detection	O	O	O	O
WDR	O	O	O	O
3D-DNR	O	O	O	O
Defog	O	O	O	O
UART	RS232 TTL +5.0V(+3.3V Compatible)			
Optional Model	NIL			



• High speed zoom tracking and extremely precise auto focusing.

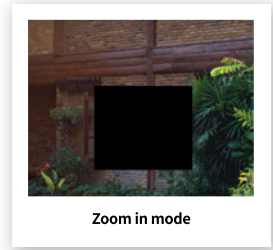
• Wide Dynamic Range

Wide Dynamic Range is a technology used to compensate problems with various light exposure. It can work on the dark and bright areas on the image by reproducing a balanced image to improve overall image quality.



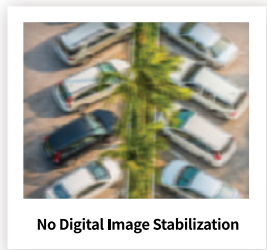
• 3D Privacy Masking Zone

Masking zone function is to protect private and sensitive areas. The masking area is maintained proportional to the zoom level. 78 series : 16 zones, 56 series : 8 zones can be specified.



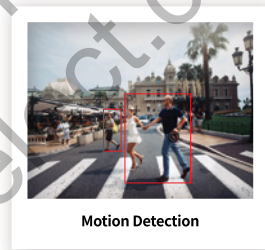
• Digital Image Stabilization

DIS greatly reduces image blur caused by vibration.



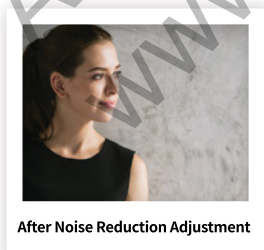
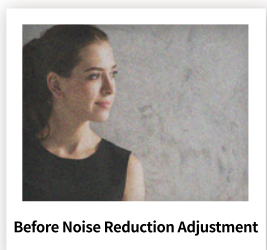
• Motion Detection

Motion detection is the process of detecting a change in specified areas. 4 zones can be specified.



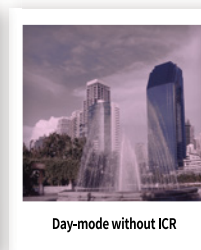
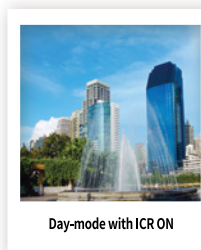
• Noise Reduction

Noise reduction is the process of removing noise from a signal. The HZ78/56 series cameras are optimized to obtain extremely low-noise image by incorporating 2D/3D-DNR.



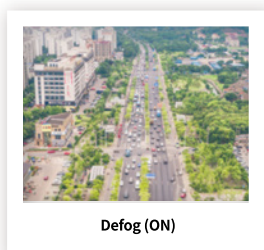
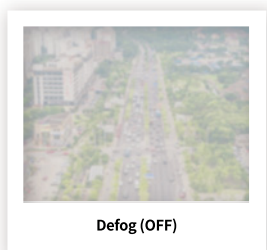
• Auto ICR

Infrared Cut-Filter is automatically enabled or disabled according to changing light conditions or Day/Night Mode.



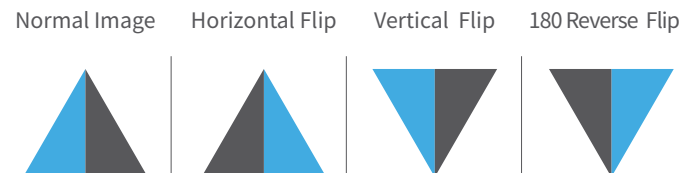
• Defog

Defog enables clearer images during foggy and low contrast environments.



• Image Rotation(E-Flip) and Freeze

Image Rotation allows the images to be flipped horizontally, vertically, or both. The Freeze function stills the image.





Rolling Shutter Series

- | | |
|-----------------|--------------------|
| ATC-HZ7810C-L | ATC-HZ7810C-L(L) |
| ATC-HZ7810C-LB1 | ATC-HZ7810C-S(S) |
| ATC-HZ7810C-T | ATC-HZ7810C-LB1(L) |
| ATC-HZ7810C-A | ATC-HZ7810C-SB1(S) |
| ATC-HZ7830T-LT | |
| ATC-HZ7830T-LA | ATC-HZ7830W-LTA |
| ATC-HZ7830Z-LT | ATC-HZ7836W-LTA |
| ATC-HZ7830Z-LA | |
| ATC-HZ5610C-LC | ATC-HZ5630T-LP |
| ATC-HZ5610C-PC | ATC-HZ5630T-LPX |
| ATC-HZ5610C-LX | ATC-HZ5630Z-LP |
| ATC-HZ5610C-TA | |
| ATC-HZ5612W-LP | |
| ATC-HZ5612W-TA | |
| ATC-HZ5630W-LP | |
| ATC-HZ5630W-TA | |
| ATC-HZ5636W-LP | |
| ATC-HZ5636W-TA | |
| ATC-HZ5230Z-LP | |
| ATC-HZ5240T-LP | |
| ATC-HZ8240T-LTA | |
| ATC-UZ5818M-H | |



Outline

The Rolling Shutter series are high resolution auto focus optical zoom block cameras that support Full HD video that incorporates the latest advanced ISP technology and highly sensitive CMOS sensors.

The series supports various video output format such as HD-SDI, EX-SDI, LVDS, Parallel, CVBS, HDMI for various applications. Furthermore, the series supports high speed zoom tracking and highly accurate auto focusing. Superior low-noise images can be obtained even in dark environments.

Model Name	Image Sensor	Lens Features	Max. Video Resolution
ATC-HZ7810C	1/2.8" CMOS Sensor	f=5.1~51mm(10x) F1.6~1.8	HD-SDI/LVDS : 1080p@60(50fps) EX-SDI/TVI/AVI : 1080p@30(25fps)
ATC-HZ7830T	1/2.8" CMOS Sensor	f=4.3~129mm(30x) F1.6~5.0	
ATC-HZ7830W	1/1.8" CMOS Sensor	f=6.0~180mm(30x) F1.5~4.3	
ATC-HZ7836W	1/1.8" CMOS Sensor	f=6.0~216mm(36x) F1.5~4.8	
ATC-HZ7830Z	1/2.8" CMOS Sensor	f=5.0~150mm(30x) F1.6~4.3	LVDS : 1080p@60(50fps) Parallel : 1080p@60(50fps) TVI/AVI : 1080p@30(25fps)
ATC-HZ5610C	1/2.8" CMOS Sensor	f=5.1~51mm(10x) F1.6~1.8	LVDS / Parallel : 1080p@60(50fps) TVI/AVI : 1080p@30(25fps)
ATC-HZ5612W	1/1.8" CMOS Sensor	f=7.0~84mm(12x) F1.5~1.9	
ATC-HZ5630W	1/1.8" CMOS Sensor	f=6.0~180mm(30x) F1.5~4.3	
ATC-HZ5636W	1/1.8" CMOS Sensor	f=6.0~216mm(36x) F1.5~4.8	
ATC-HZ5630T	1/2.8" CMOS Sensor	f=4.3~129mm(30x) F1.6~5.0	LVDS / Parallel: 1080p@60(50fps)
ATC-HZ5630Z	1/2.8" CMOS Sensor	f=5.0~150mm(30x) F1.6~4.3	
ATC-HZ5225Z	1/2.8" CMOS Sensor	f=5.3~130mm(25x) F1.6~4.3	LVDS / Parallel :1080p@60(50fps)
ATC-HZ5230Z	1/2.8" CMOS Sensor	f=5.0~150mm(30x) F1.6~4.3	
ATC-HZ5240T	1/2.8" CMOS Sensor	f=4.25~170mm(40x) F1.6~4.95	HD-SDI/LVDS: 1080p@60(50fps), EX-SDI/TVI/AVI: 1080p@30(25fps)
ATC-HZ8240T	1/2.8" CMOS Sensor	f=4.25~170mm(40x) F1.6~4.95	
ATC-UZ5818M	1/1.8" CMOS Sensor	f=6.8~120mm(18x) F1.6~4.13	HDMI(1.4a) : 4K(3840x2160) @30(25fps)

Features

- **Image Sensor**
1/2.8" Progressive Scan CMOS or 1/8" Progressive Scan CMOS
- **Video Signal Format**
Depending on register settings, you can select from various digital output methods;
4K(3840x2160)/30, 1080p/60,1080p/50,1080p/30, 1080p/25, 720p/60, 720p/50, 720p/30, 720p/25, 1080i/50, 1080i/60,
- **Video Output**
HD-SDI / EX-SDI(1.0) / EX-SDI(V2.0) / EX-SDI(V3.0) / CVBS / LVDS / Parallel / AVI / TVI / HDMI
- **LVDS output mode can be set, Single / Dual output**
- **Wide Dynamic Range**
It produces high quality image across a broad range of light intensity.
- **Noise Reduction**
It is optimized to obtain extremely low-noise image incorporating 2D/3D-DNR.
- **Auto ICR**
Infrared Cut-Filter is automatically enabled or disabled according to changing light conditions or Day/Night Mode.
- **Defog**
Defog enables clearer images during foggy and low contrast environments.
- **3D Privacy Masking Zone**
Maximum 78 series : 16 zones, 56 series : 8 zones are available.
- **Support 256 internal zoom/focus presets.**
- **Motion Detection is available.**
- **Digital Image Stabilization**
DIS allows reduction in image blurring caused by vibration.
- **Image Flip and freeze.**
- **Available UART RS232TTL(VISCA/Pelco-D/Pelco-P/Hitachi)**



Rolling Shutter Series Specifications

ZOOM CAMERA

Model Name	ATC-HZ7810C-L	ATC-HZ7810C-LB1	ATC-HZ7810C-T ATC-HZ7810C-A	ATC-HZ7830W-LTA	ATC-HZ7836W-LTA	ATC-HZ7830T-LT ATC-HZ7830T-LA	ATC-HZ7830Z-LT ATC-HZ7830Z-LA
Video System							
Image Sensor	1/2.8" Progressive Scan CMOS			1/2" Progressive Scan CMOS		1/2.8" Progressive Scan CMOS	
Effective Pixels				2.13MP 1945(H) x 1097(V)			
Video Output Mode	Common	HD-SDI/EX-SDI(V1.0)/CVBS					
	AVI/TVI/LVDS	LVDS	TVI(T), AVI(A)	LVDS / TVI / AVI		TVI / LVDS(LT), AVI / LVDS(LA)	
Max. Video Resolution	HD-SDI/LVDS : 1080p@60(50fps), EX-SDI/TVI/AVI : 1080p@30(25fps)						
Synchronization system	Internal						
Min.Illumination							
Min.Illumination (Condition : DSS OFF, AGC28dB)	Day mode: 0.05Lux(F1.6) Night mode: 0.03Lux(F1.6, IR-cut filter on)			Day mode: 0.1Lux(F1.5) Night mode: 0.08Lux(F1.5/ IR-cut filter on)		Day mode: 0.1Lux(F1.6) Night mode: 0.05Lux(F1.6/ IR-cut filter on)	Day mode: 0.1Lux(F1.6) Night mode: 0.06Lux(F1.6/ IR-cut filter on)
S/N Rate	More than 52dB(AGC off, DSS off)						
Lens							
Lens	Type	AF Optical zoom lens(DC Iris), IR Corrective					
	Focal Length	f=5.1mm-51mm		f=6.0mm-180mm	f=6.0mm-216mm	f=4.3mm-129mm	f=5.0-150mm
	F-value	F1.6(W)-1.8(T)		F1.5(W)-4.3(T)	F1.5(W)-4.8(T)	F1.6(W)-5.0(T)	F1.6(W)-4.3(T)
	Angle of View	Horizontal 54.0°(W)-4.9°(T), Vertical 31.0°(W)-4.0°(T)*		Horizontal 61.2°(W)-2.32°(T), Vertical 36.1°(W)-1.30°(T)*	Horizontal 58.4°(W)-2.2°(T), Vertical 34.1°(W)-1.2°(T)	Horizontal 58.9°(W)-2.11°(T), Vertical 45.3°(W)-1.61°(T)*	Horizontal 59.2°(W)-2.0°(T), Vertical 33.8°(W)-1.15°(T)
Zoom ratio	Optical 10x / Digital 12x		Optical 30x / Digital 12x	Optical 36x / Digital 12x	Optical 30x / Digital 12x	Optical 30x / Digital 12x	Optical 30x / Digital 12x
Focus Min.Working Distance	0.01m(Wide)/1.0m(Tele)-∞		0.1m(Wide)/ 1.5m(Tele)-∞		0.01m(Wide)/ 1.0m(Tele)-∞		0.1m(Wide)/ 1.5m(Tele)-∞
Focus Control	Auto/Manual/Interval/One shot/Preset						
Exposure							
AE Mode	Auto/Shutter Priority/Iris Priority/Manual						
Brightness	0-14						
Manual Shutter	1/1, 1/2, 1/4(3), 1/8(6), 1/15(12), 1/30(25), 1/60(50)-1/30000						
Manual Iris	F1.6-F19, Close						
Sense-up	Off-32Fields						
ETC	Spot AE, Slow AE						
Functions							
D&N Mode	Auto/Day(Color)/Night(BW)/External-H or L						
White Balance	AUTO/ATW/Indoor/Outdoor/One Push/Manual						
Image Freeze	Off/On						
Image Flip	Off/Horizontal/Vertical/H+V(180° Flip)						
Privacy Mask Zone	16 Zones/14 mask color selectable, semi-transparency						
Digital Image Stabilization	Yes						
Motion Detection	4 Zones						
D-WDR	Off/Low/Middle/High						
WDR	Off/Low/Middle/High						
BLC	Off/On, Area Selectable						
HLC	Off/0-20, Color Selectable						
AGC	Max.58dB						
Sharpness	Adjustable(0-15)						
3D-DNR	Off/On(1-5)						
2D-DNR	Auto/Manual						
Defog	Off/Low/Middle/High						
Preset	256 Position Presets(Zoom, Focus), 16 Memory Presets, Custom Preset						
Language	English, Japanese, Russian, Spanish, German, France, Portuguese, Chinese(Only 'LTA' is not supported)						
Communication							
UART	Remote	RS232 TTL +5.0V(+3.3V Compatible)					
	Protocol	VISCA/Pelco-D/Pelco-P/Hitachi : Automatic Detection					
	Baud rate	2400/4800/9600/19200/38400/57600/115200bps					
UTC	-	TVI(T)-UTC AVI(A)-UTC	TVI, AVI(LTA)-UTC, TVI(LT)-UTC, AVI(LA)-UTC			TVI(LT)-UTC, AVI(LA)-UTC	
Power							
Supply Voltage	12VDC(9V to 15VDC)						
Power Consumption	Max.4.0W / Non-working zoom & focus 2.5W		Max.4.2W / Non-working zoom & focus 2.6W	Max.5.0W / Non-working zoom & focus 3.0W		Max.5.0W / Non-working zoom & focus 3.0W	Max.5.2W / Non-working zoom & focus 3.2W
Physical and Temperature							
Dimension(mm)	41.6X45X61.6mm	38X42.4X61.5mm	41.6X45X61.6mm	55X64X123mm		50X58.8X90.5mm	50x58.8x96.1mm
Weight	Approx.124g	Approx.105g	Approx.124g	Approx.380g		Approx.244g	Approx.240g
Operating Temperature	-10°C~+50°C, Humidity(20~80%)						
Storage Temperature	-20°C~+60°C, Humidity(20~95%)						



Rolling Shutter Series Specifications

ZOOM CAMERA

Model Name	ATC-HZ5610C-LC ATC-HZ5610C-LX	ATC-HZ5610C-PC	ATC-HZ5610C-TA	ATC-HZ5612W-LP ATC-HZ5612W-TA	ATC-HZ5630W-LP ATC-HZ5630W-TA	ATC-HZ5636W-LP ATC-HZ5636W-TA	ATC-HZ5630T-LP ATC-HZ5630T-LPX	ATC-HZ5630Z-LP
Video System								
Image Sensor	1/2.8" SONY EXMOR R Progressive Scan CMOS			1/2" SONY EXMOR R Progressive Scan CMOS			1/2.8" SONY EXMOR R Progressive Scan CMOS	
Effective Pixels	2.13MP 1945(H) x 1097(V)							
Video Output Mode	Common	LVDS/CVBS	Parallel/CVBS	TVI/AVI/CVBS	LVDS/Parallel/CVBS(LP, LPX) TVI/AVI/CVBS(TA)			
Max. Video Resolution	LVDS: 1080p@60(50fps)	Parallel: 1080p@60(50fps)	TVI/AVI: 1080p@30(25fps)	LVDS / Parallel : 1080p@60(50fps) TVI/AVI : 1080p@30(25fps)				LVDS / Parallel: 1080p@60(50fps)
Synchronization system	Internal / External Option							
Min.Illumination								
Min.Illumination (Condition : DSS OFF, AGC 45dB)	Day mode: 0.1Lux(F1.6) Night mode: 0.07Lux(F1.6/ IR-cut filter on)			Day mode: 0.1Lux(F1.5) Night mode: 0.05Lux(F1.5/ IR-cut filter on)			Day mode: 0.1Lux(F1.6) Night mode: 0.05Lux(F1.6/ IR-cut filter on)	
S/N Rate	More than 55dB(AGC off, DSS off)							
Lens								
Type	AF Optical zoom lens(DC Iris), IR Corrective							
Focal Length	f=5.1mm~51mm			f=7.0mm~84mm	f=6.0mm~180mm	f=6.0mm~216mm	f=4.3mm~129mm	f=5.0~150mm
F-value	F1.6(W)~1.8(T)			F1.5(W)~1.9(T)	F1.5(W)~4.3(T)	F1.5(W)~4.8(T)	F1.6(W)~5.0(T)	F1.6(W)~4.3(T)
Angle of View	Horizontal 54.0°(W)~4.9°(T) : LC/PC/TA, 49.5°(W)~ 4.5°(T) : LX Vertical 31.0°(W)~4.0°(T) : LC/PC/TA, 27.3°(W)~3.5°(T) : LX			Horizontal 51.1°(W)~5.0°(T), Vertical 30.0°(W)~3.2°(T)	Horizontal 61.2°(W)~2.3°(T), Vertical 36.1°(W)~1.31°(T)	Horizontal 58.4°(W)~2.2°(T), Vertical 34.1°(W)~1.2°(T)	Horizontal 58.9°(W)~2.11°(T) : LP, 53.9°(W)~1.93°(T) : LPX Vertical 45.3°(W)~1.61°(T) : LP 39.8°(W)~1.41°(T) : LPX	Horizontal 59.2°(W)~2.0°(T), Vertical 33.8°(W)~1.15°(T)
Zoom Ratio	Optical 10x / Digital 12x			Optical 12x / Digital 12x	Optical 30x / Digital 12x	Optical 36x / Digital 12x	Optical 30x / Digital 12x	Optical 30x / Digital 12x
Focus Min.Working Distance	0.01m(Wide)/1m(Tele)~∞			0.1m(Wide)/0.5m(Tele)~∞			0.1m(Wide)/1.5m(Tele)~∞	
Focus Control	Auto/Interval/One Push/Manual/Preset							
Exposure								
AE Mode	Auto/Shutter Priority/Iris Priority/AGC Priority/Manual							
Brightness	0~14							
Manual Shutter	1/1, 1/2, 1/4(3), 1/8(6), 1/15(12), 1/30(25), 1/60(50)~1/10000							
Manual Iris	F1.6~F32, Close							
Sense-up	Off~32Fields							
ETC	Spot AE, Slow AE							
Functions								
D&N Mode	Auto/Day(Color)/Night(BW)/External-H or L							
White Balance	AUTO/One Push/Indoor/Outdoor/ATW/Manual							
Image Freeze	Off/On							
Image Flip	Off/Horizontal/Vertical/H+V(180° Flip)							
Privacy Mask Zone	8 Zones/14 mask color selectable							
Digital Image Stabilization	Yes (Disaldded on ATC-HZ5610C-LX, ATC-HZ5630T-LPX)							
Motion Detection	4 Zones							
D-WDR	Off/Low/Middle/High							
WDR	Off/On, Adjustable(Level:0~29, Contrast:0~5, Bright:0~19)							
BLC	Off/On, Area Selectable							
HLC	Off/On, Area selectable							
AGC	Max.72dB							
Sharpness	Adjustable(0~15)							
3D-DNR	Off/Auto/Low/Middle/High							
2D-DNR	Off/Auto/Low/Middle/High							
Defog	Off/On/Auto							
Preset	256 Position Presets(Zoom, Focus), 16 Memory Presets, Custom Preset							
Language	English							
Communication								
UART	Remote	RS232 TTL +5.0V(+3.3V Compatible)						
	Protocol	VISCA/Pelco-D/Pelco-P/Hitachi : Automatic Detection						
	Baud rate	2400/4800/9600/19200/38400/57600/115200bps						
UTC	-							
Power								
Supply Voltage	12VDC(9V to 15VDC)							
Power Consumption	Max.4.4W / Non-working zoom&focus 2.7W	Max.5.7W / Non-working zoom&focus 3.5W	Max.4.4W / Non-working zoom&focus 2.7W	LP : Max.6.8W / Non-working zoom&focus 4.2W TA : Max.5.0W / Non-working zoom&focus 2.9W			Max.6.4W / Non-working zoom& focus 3.8W	
Physical and Temperature								
Dimension(mm)	41.6x45x61.6mm			50.3x58.4x92.0mm	55.0x64.0x123mm		50x58.8x90.5mm	50x58.8x96.1mm
Weight	Approx.124g			Approx.260.5g	Approx.380g		Approx.244g	Approx.240g
Operating Temperature	-10°C~+50°C, Humidity(20~80%)							
Storage Temperature	-20°C~+60°C, Humidity(20~95%)							



Rolling Shutter Series Specifications

ZOOM CAMERA

Model Name		ATC-HZ5230Z-LCN	ATC-HZ5240T-LCN	ATC-HZ8240T-LTA	ATC-UZ5818M-H
Video System					
Image Sensor		1/2.8" Progressive Scan CMOS			1/1.8" Progressive Scan CMOS
Effective Pixels		2.13MP 1945(H) x 1097(V)			8.42MP 3864(H) x 2180(V)
Video Output Mode	Common	LVDS / Parallel / CVBS		HD-SDI/EX-SDI(V1.0)/EX-SDI(V2.0)/EX-SDI(V3.0)/CVBS	HDMI(1.4a) / CVBS
	AVI/TVI/LVDS	-		TVI/AVI/LVDS	-
Max. Video Resolution		LVDS / Parallel :1080p@60(50fps)		HD-SDI/LVDS:1080p@60(50fps), EX-SDI/TVI/AVI:1080p@30(25fps)	HDMI(1.4a) : 4K(3840x2160)@30(25fps)
Synchronization system		Internal / External Option			Internal
Min.Illumination					
Min.Illumination (Condition : DSS OFF, AGC28dB)		Day mode: 0.05Lux(F1.6) Night mode: 0.03Lux(F1.6/ IR-cut filter on) Sens-Up off, AGC45dB	Day mode: 0.1Lux(F1.6) Night mode: 0.07Lux(F1.6/ IR-cut filter on) Sens-Up off, AGC45dB		
S/N Rate		More than 55dB(AGC off, Sens-Up off)		More than 52dB(AGC off, Sens-Up off)	More than 55dB(AGC off, Sens-Up off)
Lens					
Lens	Type	AF Optical zoom lens(DC Iris), IR Corrective			
	Focal Length	f=5.0~150mm	f=4.25~170mm		f=6.8~120mm
	F-value	F1.6(W)~4.3(T)	F1.6(W)~4.95(T)		F=1.61(W)~4.13(T)
	Angle of View	'Horizontal 59.2°(W)~2.0°(T), Vertical 33.8°(W)~1.15°(T)	Horizontal 65.7°(W)~1.9°(T), Vertical 39.4°(W)~1.1°(T)		Horizontal 58.5°(W)~3.7°(T), Vertical 35.0°(H)~2.1°(T)
Zoom ratio		Optical 30x / Digital 12x	Optical 40x / Digital 12x		Optical 18x / Digital 12x
Focus Min.Working Distance		0.1m(Wide)/1.5m(Tele)~∞	0.01m(Wide)/1m(Tele)~∞		0.1m(Wide)/2.0m(Tele)~∞
Focus Control		Auto/Interval/One Push/Manual/Presets			
Exposure					
AE Mode		Auto/Shutter Priority/Iris Priority/AGC Priority/Manual			
Brightness		0~14			
Manual Shutter		1/1, 1/2, 1/4(3), 1/8(6), 1/15(12), 1/30(25), 1/60(50)~1/10000	1/1, 1/2, 1/4(3), 1/8(6), 1/15(12), 1/30(25), 1/60(50)~1/30000		1/1, 1/2, 1/4(3), 1/8(6), 1/15(12), 1/30(25), 1/60(50)~1/10000
Manual Iris		F1.6~F32, Close	F1.6~F19, Close		F1.6~F32, Close
Sense-up		Off~32Fields			
ETC		Spot AE, Slow AE			
Functions					
D&N Mode		Auto/Day(Color)/Night(BW)/External-H or L			
White Balance		AUTO/ATW/Indoor/Outdoor/One Push/Manual			
Image Freeze		Off/On			
Image Flip		Off/Horizontal/Vertical/H+V(180° Flip)			
Privacy Mask Zone		8 Zones/14 mask color selectable			
Digital Image Stabilization		Yes			
Motion Detection		4 Zones			
D-WDR		Off/Low/Middle/High			
WDR		Off/On, Adjustable(Level:0~29, Contrast:0~5, Bright:0~19)			
BLC		Off/On, Area Selectable			
HLC		Off/On, Area Selectable			
AGC		Max.72dB	Max.58dB		Max.72dB
Sharpness		Adjustable(0~15)			
3D-DNR		Off/Auto/Low/Middle/High	On/Off(1~5)		Off/Auto/Low/Middle/High
2D-DNR		Off/Auto/Low/Middle/High	Auto/Manual		Off/Auto/Low/Middle/High
Defog		Off/On/Auto	Off/Low/Middle/High		Off/On/Auto
Preset		256 Position Presets(Zoom, Focus), 16 Memory Presets, Custom Preset			
Language		English	English, Japanese, Russian, Spanish, German, France, Portuguese, Chinese		English
Communication					
UART	Remote	RS232 TTL +5.0V(+3.3V Compatible)			
	Protocol	VISCA/Pelco-D/Pelco-P/Hitachi : Automatic Detection			
	Baud rate	2400/4800/9600/19200/38400/57600/115200bps			
UTC		-			
Power					
Supply Voltage		12VDC(9V to 15VDC)			
Power Consumption		Max.6.4W / Non-working zoom&focus 3.8W	Max.6.8W / Non-working zoom&focus 4.2W	Max.5.5W / Non-working zoom&focus 3.3W	Max.8.7W / Non-working zoom&focus 6.9W
Physical and Temperature					
Dimension(mm)		50X58.8X96.1mm	53.2x62x101.2mm	53.2x62x101.2mm	51x59.6x97.6mm
Weight		Approx.240g	Approx.315g	Approx.315g	Approx.277g
Operating Temperature		-10°C~+50°C, Humidity(20~80%)			
Storage Temperature		-20°C~+60°C, Humidity(20~95%)			



Pin Assignment(HZ7810C Series)

ZOOM CAMERA

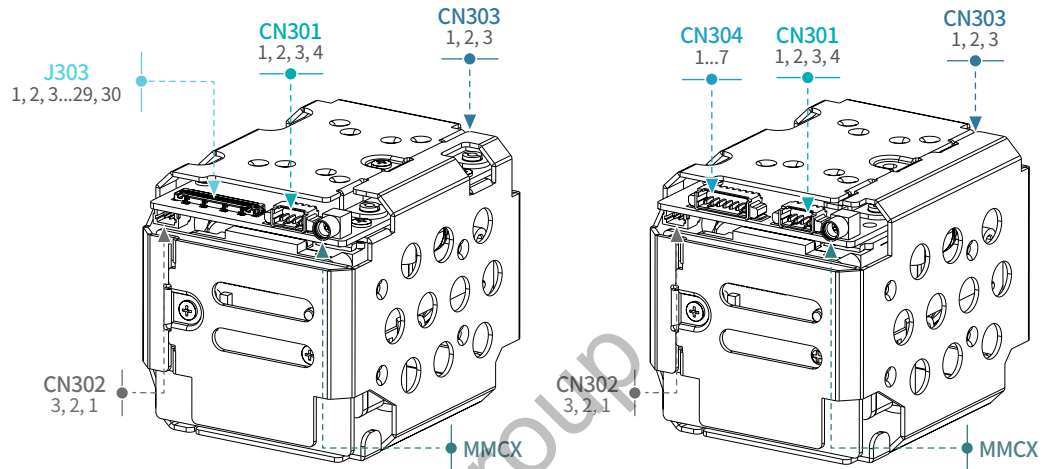
• Pin Type:

CN301/CN302/CN303 or CN304/J303/
MMCX[EX-SDI(V1.0)/HD-SDI]

• Available Pin Type

- *HZ7810C-L, HZ7810C-LB1 :
CN301/CN302/CN303/J303/MMCX
- *HZ7810C-S(S), HZ7810C-SB1(S) :
CN301/CN302/MMCX
- *HZ7810C-L(L), HZ7810C-LB1(L) :
CN301/CN302/J303
- *HZ7810C-T, HZ7810C-A :
CN301/CN302/CN303/CN304/MMCX

• Pin Location



CN301

Pin no.	CN301(CVBS) / Molex: 53261-0471
1	POWER IN : +12VDC
2	GND
3	VIDEO : CVBS Output
4	AD_KEY

CN302

Pin no.	CN302(RS-232 TTL) / JST: SM03B-SRSS-TB
1	GND
2	RxD : CMOS 3.3V Read Data
3	TxD : CMOS 3.3V Send Data

CN303

Pin no.	CN303(External D&N) / JST: SM03B-SRSS-TB
1	Ext_D&N : External D&N Input
2	GND
3	+3.3V Out(For Sensor)

MMCX[EX-SDI(V1.0)/HD-SDI]

Jack	SDI Output / MMCX Jack Connector
------	----------------------------------

J303

Pin no.	J303(Micro Co-Axial) / KEL Co.USL00-30L-C
1	TX_OUT3+
2	TX_OUT3-
3	TX_CLKOUT+
4	TX_CLKOUT-
5	TX_OUT2+
6	TX_OUT2-
7	TX_OUT1+
8	TX_OUT1-
9	TX_OUT0+
10	TX_OUT0-
11	GND
12	TXD : CMOS 5.0V Send Data(Compatible 3.3V)
13	RXD : CMOS 5.0V Read Data(Compatible 3.3V)
14	+12VDC
15	+12VDC
16	+12VDC
17	+12VDC
18	+12VDC
19	GND
20	GND
21	TX_OUT7+ : Single out mode (open)
22	TX_OUT7- : Single out mode(open)
23	TX_OUT6+ : Single out mode(open)
24	TX_OUT6- : Single out mode(open)
25	CVBS_OUT
26	RESET_IN : Reset - Low(GND), Normal(1.8V)
27	TX_OUT5+
28	TX_OUT5-
29	TX_OUT4+
30	TX_OUT4-

CN304

Pin no.	CN304(1.25mm Header) / Molex: 53261-0771
1	DC_IN : +12VDC
2	GND(+12VDC)
3	TxD : CMOS 5.0V Send Data(Compatible 3.3V)
4	RxD : CMOS 5.0V Read Data(Compatible 3.3V)
5	ATC-HZ7810C-T : TVI Output ATC-HZ7810C-A : AVI Output
6	GND
7	Default CVBS Output (Optional AD KEY)



Pin assignment(HZ7830W/36W-LTA)

ZOOM CAMERA

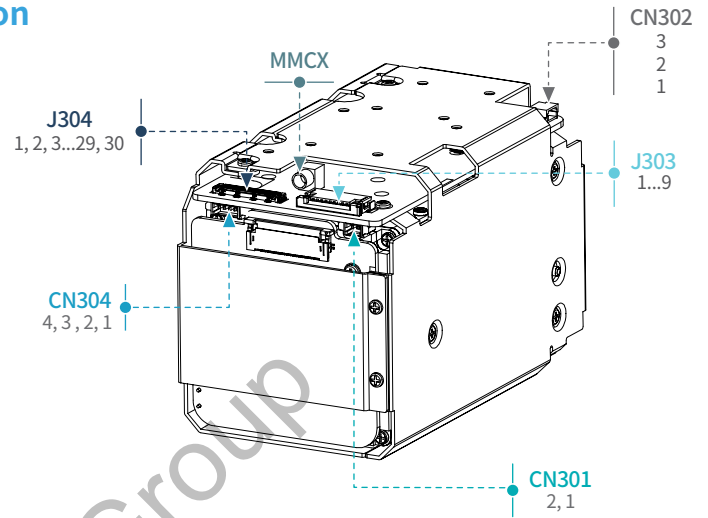
• Pin Type:

CN301/CN302/CN304/J303/J304/
MMCX[EX-SDI(V1.0)/HD-SDI]

• Available Pin Type

*ATC-HZ7830W-LTA, ATC-HZ7836W-LTA :
CN301/CN302/CN304/J303/J304/MMCX

• Pin Location



CN301

Pin no.	CN301(RS485) / Molex 53261-0271
1	TRX+
2	TRX-

CN302

Pin no.	CN302(External D&N) / JST:SM03B-SRSS-TB
1	Ext_D&N: External D&N Input
2	GND
3	+3.3V Out(For Sensor)

CN304

Pin no.	CN304(HD-Analog) / Molex 53261-0471
1	DC_IN : +12VDC
2	GND (+12VDC)
3	TVI/AVI Output
4	GND

MMCX[EX-SDI(V1.0)/HD-SDI]

Jack	SDI Output / MMCX Jack Connector
------	----------------------------------

J304

Pin no.	J304(Micro Co-Axial) / KEL Co.USL00-30L-C
1	TX_OUT3+
2	TX_OUT3-
3	TX_CLKOUT+
4	TX_CLKOUT-
5	TX_OUT2+
6	TX_OUT2-
7	TX_OUT1+
8	TX_OUT1-
9	TX_OUT0+
10	TX_OUT0-
11	GND
12	TXD: CMOS 5.0V Send Data(Compatible 3.3V)
13	RXD: CMOS 5.0V Read Data(Compatible 3.3V)
14	+12VDC
15	+12VDC
16	+12VDC
17	+12VDC
18	+12VDC
19	GND
20	GND
21	TX_OUT7+: Single out mode (open)
22	TX_OUT7-: Single out mode(open)
23	TX_OUT6+: Single out mode(open)
24	TX_OUT6-:Single out mode(open)
25	CVBS_OUT
26	RESET_IN: Reset - Low(GND), Normal(1.8V)
27	TX_OUT5+
28	TX_OUT5-
29	TX_OUT4+
30	TX_OUT4-

J303

Pin no.	J303 / Molex : 52207-0933
1	Default GND (Optional RS485_EN or AD key)
2	TVI/AVI Output
3	GND
4	CVBS Output
5	GND
6	DC_IN: +12VDC
7	GND
8	TXD: CMOS 5.0V Send Data(Compatible 3.3V)
9	RXD: CMOS 5.0V Read Data(Compatible 3.3V)



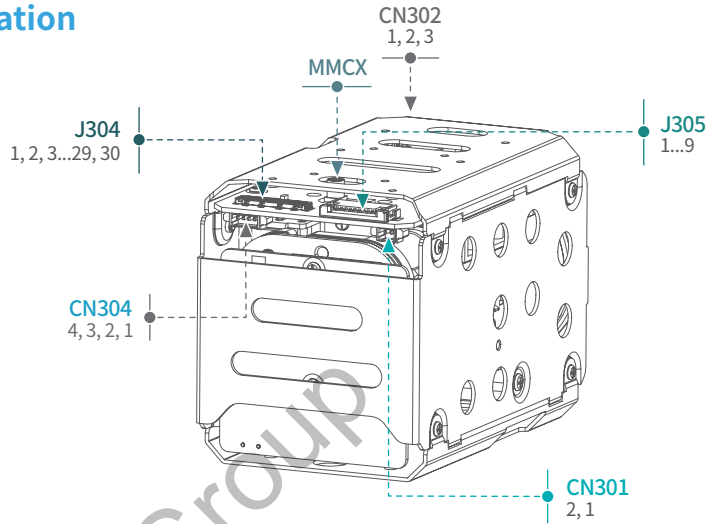
• Pin Type:

CN301/CN302/CN304/J304/J305/
MMCX[EX-SDI(V1.0)/HD-SDI]

• Available Pin Type

*ATC-HZ7830T-LT, ATC-HZ7830T-LA,
ATC-HZ7830Z-LT, ATC-HZ7830Z-LA:
CN301/CN302/CN304/J304/J305/MMCX

• Pin Location



CN301

Pin no.	CN301(RS485) / Molex 53261-0271
1	TRX+
2	TRX-

CN302

Pin no.	CN302(External D&N) / JST:SM03B-SRSS-TB
1	Ext_D&N : External D&N Input
2	GND
3	+3.3V Out(For Sensor)

CN304

Pin no.	CN304(HD-Analog) / Molex 53261-0471
1	DC_IN : +12VDC
2	GND (+12VDC)
3	LT Series : TVI Output LA Series : AVI Output
4	LT Series : GND (TVI) LA Series : GND (AVI)

MMCX[EX-SDI(V1.0)/HD-SDI]

Jack	SDI Output / MMCX Jack Connector
------	----------------------------------

J304

Pin no.	J304(Micro Co-Axial) / KEL Co.USL00-30L-C
1	TX_OUT3+
2	TX_OUT3-
3	TX_CLKOUT+
4	TX_CLKOUT-
5	TX_OUT2+
6	TX_OUT2-
7	TX_OUT1+
8	TX_OUT1-
9	TX_OUT0+
10	TX_OUT0-
11	GND
12	TXD : CMOS 5.0V Send Data(Compatible 3.3V)
13	RXD : CMOS 5.0V Read Data(Compatible 3.3V)
14	+12VDC
15	+12VDC
16	+12VDC
17	+12VDC
18	+12VDC
19	GND
20	GND
21	TX_OUT7+ : Single out mode (open)
22	TX_OUT7- : Single out mode(open)
23	TX_OUT6+ : Single out mode(open)
24	TX_OUT6- : Single out mode(open)
25	CVBS_OUT
26	RESET_IN : Reset - Low(GND), Normal(1.8V)
27	TX_OUT5+
28	TX_OUT5-
29	TX_OUT4+
30	TX_OUT4-

J305

Pin no.	J305 / Molex : 52207-0933
1	Default GND (Optional RS485_EN or AD key)
2	LT Series : TVI Output LA Series : AVI Output
3	GND
4	CVBS Output
5	GND
6	DC_IN: +12VDC
7	GND
8	TXD : CMOS 5.0V Send Data(Compatible 3.3V)
9	RXD : CMOS 5.0V Read Data(Compatible 3.3V)



Pin assignment(HZ5610C-LC/LX/PC)

ZOOM CAMERA

• Pin Type:

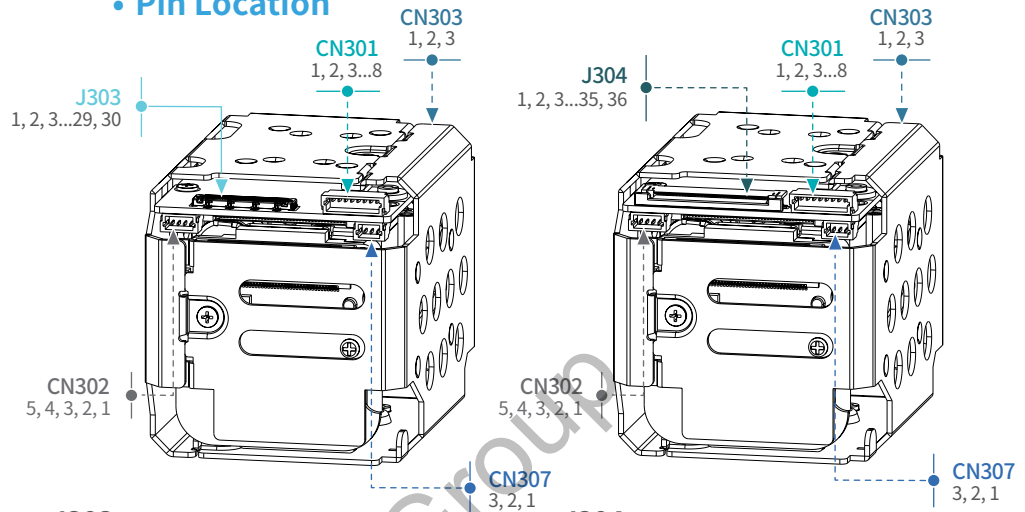
CN301/CN302/CN303/CN307/
J303/J304

• Available Pin Type

*ATC-HZ5610C-LC, ATC-HZ5610C-LX:
CN301/CN302/CN303/CN307/J303

*ATC-HZ5610C-PC:
CN301/CN302/CN303/CN307/J304

• Pin Location



CN301

Pin no.	CN301(External I/O) / JST: SM08B-SRSS-TB
1	Vsync_OUT
2	Hsync_OUT
3	VCLK_OUT
4	GND
5	Vsync_IN
6	Hsync_IN
7	VCLK_IN
8	GND

CN302

Pin no.	CN302 / JST: SM04B-SRSS-TB
1	POWER IN: +12VDC
2	GND
3	VIDEO: CVBS Output
4	AD_KEY
5	GND

CN307

Pin no.	CN307(RS-232 TTL) / JST: SM03B-SRSS-TB
1	GND
2	RxD: CMOS 3.3V Read Data
3	TxD: CMOS 3.3V Send Data

CN303

Pin no.	CN303(External D&N) / JST: SM03B-SRSS-TB
1	Ext_D&N: External D&N Input
2	GND
3	+3.3V Out(For sensor)

J303

Pin no.	J303(Micro Co-Axial) / KEL Co.USL00-30L-C
1	TX_OUT3+
2	TX_OUT3-
3	TX_CLKOUT+
4	TX_CLKOUT-
5	TX_OUT2+
6	TX_OUT2-
7	TX_OUT1+
8	TX_OUT1-
9	TX_OUT0+
10	TX_OUT0-
11	GND
12	TXD: CMOS 5.0V Send Data(Compatible 3.3V)
13	RXD: CMOS 5.0V Read Data(Compatible 3.3V)
14	+12VDC
15	+12VDC
16	+12VDC
17	+12VDC
18	+12VDC
19	GND
20	GND
21	TX_OUT7+: Single out mode (open)
22	TX_OUT7-: Single out mode(open)
23	TX_OUT6+: Single out mode(open)
24	TX_OUT6-:Single out mode(open)
25	CVBS Output
26	RESET_IN: Reset - Low(GND), Normal(1.8V)
27	TX_OUT5+
28	TX_OUT5-
29	TX_OUT4+
30	TX_OUT4-

J304

Pin no.	J304(FFC Connector) / Hirose : FH12-36S-05SH(55)
1	GND
2	Y_OUT[0]
3	Y_OUT[1]
4	Y_OUT[2]
5	Y_OUT[3]
6	GND
7	Y_OUT[4]
8	Y_OUT[5]
9	Y_OUT[6]
10	Y_OUT[7]
11	GND
12	C_OUT[0]
13	C_OUT[1]
14	C_OUT[2]
15	C_OUT[3]
16	GND
17	C_OUT[4]
18	C_OUT[5]
19	C_OUT[6]
20	C_OUT[7]
21	GND
22	VSYNC
23	HSYNC
24	GND
25	VCLK_OUT
26	GND
27	GND
28	GND
29	GND
30	GND
31	POWER IN: +12VDC
32	POWER IN: +12VDC
33	POWER IN: +12VDC
34	GND
35	TXD: CMOS 5.0V Send Data(Compatible 3.3V)
36	RXD: CMOS 5.0V Read Data(Compatible 3.3V)



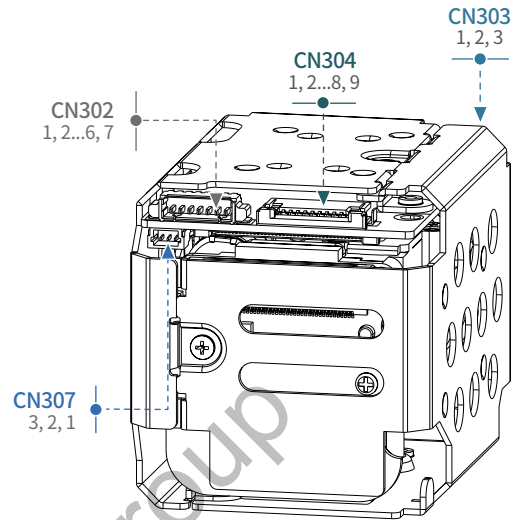
Pin assignment(HZ5610C-TA)

ZOOM CAMERA

• Pin Type:

CN302/CN303/CN304/CN307/

• Pin Location



• Available Pin Type

*ATC-HZ5610C-TA:

CN302/CN303/CN304/CN307

CN302

Pin no.	CN302 / 53261-0771
1	+12V IN
2	GND
3	TXD: CMOS 5.0V Send Data(Compatible 3.3V)
4	RXD: CMOS 5.0V Read Data(Compatible 3.3V)
5	TVI/AVI OUT
6	GND
7	CVBS(opt.ADKEY)

CN304

Pin no.	CN304 / 52207-0933
1	GND (opt.ADKEY)
2	TVI/AVI OUT
3	GND
4	CVBS
5	GND
6	+12V IN
7	GND
8	TXD
9	RXD

CN307

Pin no.	CN307 / SM03B-SRSS-TB
1	GND
2	UART_RX
3	UART_TX

CN303

Pin no.	CN303 /SM03B-SRSS-TB
1	EXT_DN
2	GND
3	+3.3V Out(For Sensor)



Pin assignment(HZ5612W/30W/36W-LP)

ZOOM CAMERA

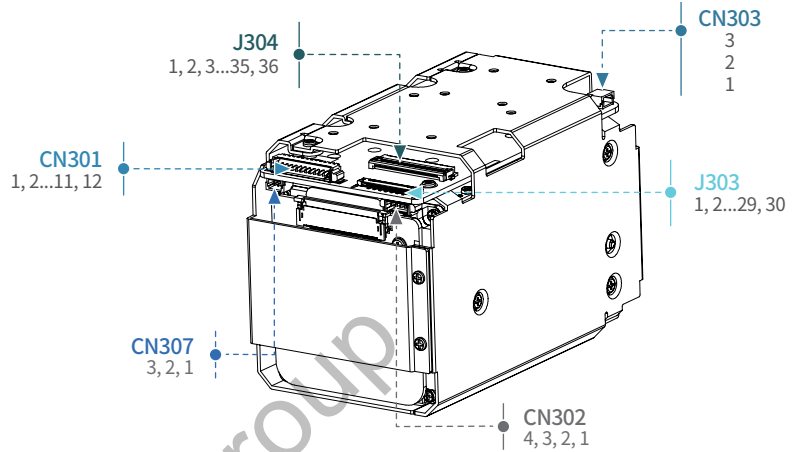
• Pin Type:

CN301/CN303/CN307/J303/J304/

• Pin Location

• Available Pin Type

*ATC-HZ5612W-LP, ATC-HZ5630W-LP, ATC-HZ5636W-LP:
CN301/CN303/CN307/J303/J304



CN301

Pin no.	CN301(External I/O) / Molex : 53261-1271
1	Vsync_OUT
2	Hsync_OUT
3	VCLK_OUT
4	GND
5	Vsync_IN
6	Hsync_IN
7	VCLK_IN
8	GND
9	Trig_Common
10	Trigger_IN
11	Strobe_Common
12	Strobe_IN

CN302

Pin no.	CN302(CVBS) / Molex: 53261-0471
1	POWER IN: +12VDC
2	GND
3	VIDEO: CVBS Output
4	AD_KEY

CN303

Pin no.	CN303(External D&N) / JST: SM03B-SRSS-TB
1	Ext_D&N: External D&N Input
2	GND
3	+3.3V Out(For sensor)

CN307

Pin no.	CN307(External D&N) / JST: SM03B-SRSS-TB
1	GND
2	RxD: CMOS 3.3V Read Data
3	TxD: CMOS 3.3V Send Data

J303

Pin no.	J303(Micro Co-Axial) / KEL Co.USL00-30L-C
1	TX_OUT3+
2	TX_OUT3-
3	TX_CLKOUT+
4	TX_CLKOUT-
5	TX_OUT2+
6	TX_OUT2-
7	TX_OUT1+
8	TX_OUT1-
9	TX_OUT0+
10	TX_OUT0-
11	GND
12	TxD: CMOS 5.0V Send Data(Compatible 3.3V)
13	RxD: CMOS 5.0V Read Data(Compatible 3.3V)
14	+12VDC
15	+12VDC
16	+12VDC
17	+12VDC
18	+12VDC
19	GND
20	GND
21	TX_OUT7+: Single out mode (open)
22	TX_OUT7-: Single out mode(open)
23	TX_OUT6+: Single out mode(open)
24	TX_OUT6-:Single out mode(open)
25	CVBS Output
26	RESET_IN: Reset - Low(GND), Normal(1.8V)
27	TX_OUT5+
28	TX_OUT5-
29	TX_OUT4+
30	TX_OUT4-

J304

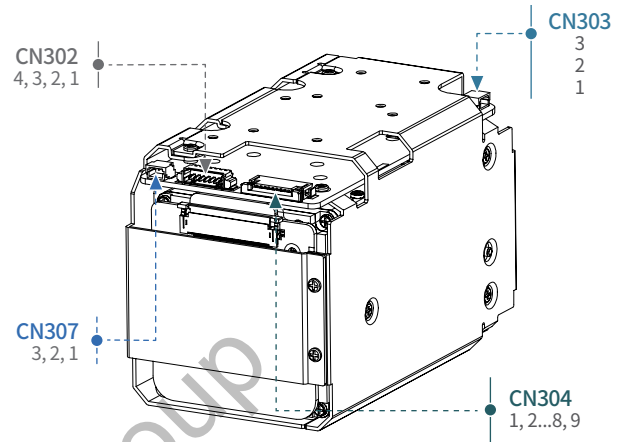
Pin no.	J304(FFC Connector) / Hirose : FH12-36S-05SH(55)
1	GND
2	Y_OUT[0]
3	Y_OUT[1]
4	Y_OUT[2]
5	Y_OUT[3]
6	GND
7	Y_OUT[4]
8	Y_OUT[5]
9	Y_OUT[6]
10	Y_OUT[7]
11	GND
12	C_OUT[0]
13	C_OUT[1]
14	C_OUT[2]
15	C_OUT[3]
16	GND
17	C_OUT[4]
18	C_OUT[5]
19	C_OUT[6]
20	C_OUT[7]
21	GND
22	VSYNC
23	HSYNC
24	GND
25	VCLK_OUT
26	GND
27	GND
28	GND
29	GND
30	GND
31	POWER IN: +12VDC
32	POWER IN: +12VDC
33	POWER IN: +12VDC
34	GND
35	TxD: CMOS 5.0V Send Data(Compatible 3.3V)
36	RxD: CMOS 5.0V Read Data(Compatible 3.3V)



• Pin Type:

CN302/CN303/CN304/CN307

• Pin Location



• Available Pin Type

*ATC-HZ5612W-TA, ATC-HZ5630W-TA, ATC-HZ5636W-TA :
CN302/CN303/ CN304/CN307

CN302

Pin no.	CN302 / Molex : 53261-0771
1	+12V_IN
2	GND
3	TXD: CMOS 5.0V Send Data(Compatible 3.3V)
4	RXD: CMOS 5.0V Read Data(Compatible 3.3V)
5	TVI/AVI OUT
6	GND
7	CVBS(opt.ADKEY)

CN304

Pin no.	CN304 / Molex : 52207-0933
1	GND(opt.ADKEY)
2	TVI/AVI OUT
3	GND
4	CVBS
5	GND
6	+12V
7	GND
8	TXD: CMOS 5.0V Send Data(Compatible 3.3V)
9	RXD: CMOS 5.0V Read Data(Compatible 3.3V)

CN307

Pin no.	CN307(External D&N) / JST: SM03B-SRSS-TB
1	GND
2	UART_RX
3	UART_TX

CN303

Pin no.	CN303 (External D&N) / JST: SM03B-SRSS-TB
1	Ext_D&N: External D&N Input
2	GND
3	+3.3V Out(For sensor)



Pin assignment(HZ5630T-LP/LPX)

ZOOM CAMERA

• Pin Type:

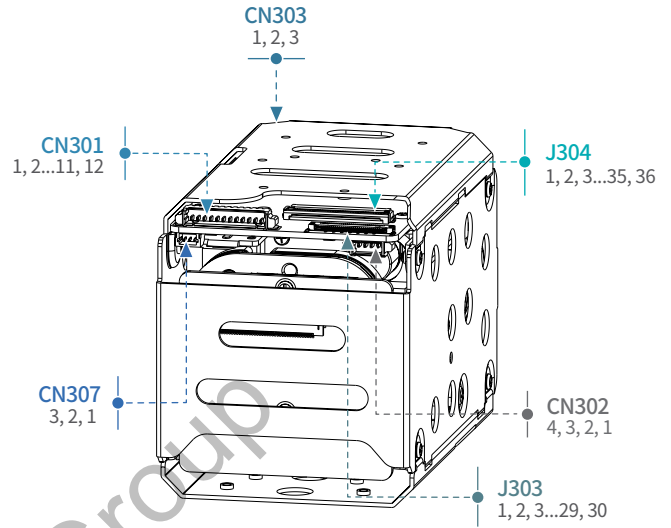
CN301/CN302/CN303/CN307/J303/J304

• Available Pin Type

*ATC-HZ5630T-LP , ATC-HZ5630T-LPX :

CN301/CN302/CN303/CN307/J303/J304

• Pin Location



CN301

Pin no.	CN301(External I/O) / Molex : 53261-1271
1	Vsync_OUT
2	Hsync_OUT
3	VCLK_OUT
4	GND
5	Vsync_IN
6	Hsync_IN
7	VCLK_IN
8	GND
9	Trig_Common
10	Trigger_IN
11	Strobe_Common
12	Strobe_IN

CN302

Pin no.	CN302(CVBS) / Molex: 53261-0471
1	POWER IN: +12VDC
2	GND
3	VIDEO: CVBS Output
4	AD_KEY

CN303

Pin no.	CN303(External D&N) / JST: SM03B-SRSS-TB
1	Ext_D&N: External D&N Input
2	GND
3	+3.3V Out(For sensor)

CN307

Pin no.	CN307(RS-232 TTL) / JST: SM03B-SRSS-TB
1	GND
2	RxD: CMOS 3.3V Read Data
3	TxD: CMOS 3.3V Send Data

J303

Pin no.	J303(Micro Co-Axial) / KEL Co.USL00-30L-C
1	TX_OUT3+
2	TX_OUT3-
3	TX_CLKOUT+
4	TX_CLKOUT-
5	TX_OUT2+
6	TX_OUT2-
7	TX_OUT1+
8	TX_OUT1-
9	TX_OUT0+
10	TX_OUT0-
11	GND
12	TXD: CMOS 5.0V Send Data(Compatible 3.3V)
13	RXD: CMOS 5.0V Read Data(Compatible 3.3V)
14	+12VDC
15	+12VDC
16	+12VDC
17	+12VDC
18	+12VDC
19	GND
20	GND
21	TX_OUT7+: Single out mode (open)
22	TX_OUT7-: Single out mode(open)
23	TX_OUT6+: Single out mode(open)
24	TX_OUT6-:Single out mode(open)
25	CVBS Output
26	RESET_IN: Reset - Low(GND), Normal(1.8V)
27	TX_OUT5+
28	TX_OUT5-
29	TX_OUT4+
30	TX_OUT4-

J304

Pin no.	J304(FFC Connector) / Hirose : FH12-36S-05SH(55)
1	GND
2	Y_OUT[0]
3	Y_OUT[1]
4	Y_OUT[2]
5	Y_OUT[3]
6	GND
7	Y_OUT[4]
8	Y_OUT[5]
9	Y_OUT[6]
10	Y_OUT[7]
11	GND
12	C_OUT[0]
13	C_OUT[1]
14	C_OUT[2]
15	C_OUT[3]
16	GND
17	C_OUT[4]
18	C_OUT[5]
19	C_OUT[6]
20	C_OUT[7]
21	GND
22	VSYNC
23	HSYNC
24	GND
25	VCLK_OUT
26	GND
27	GND
28	GND
29	GND
30	GND
31	POWER IN: +12VDC
32	POWER IN: +12VDC
33	POWER IN: +12VDC
34	GND
35	TXD: CMOS 5.0V Send Data(Compatible 3.3V)
36	RXD: CMOS 5.0V Read Data(Compatible 3.3V)



Pin assignment(HZ5630/5230Z-LCN/5240T-LCN)

ZOOM CAMERA

• Pin Type:

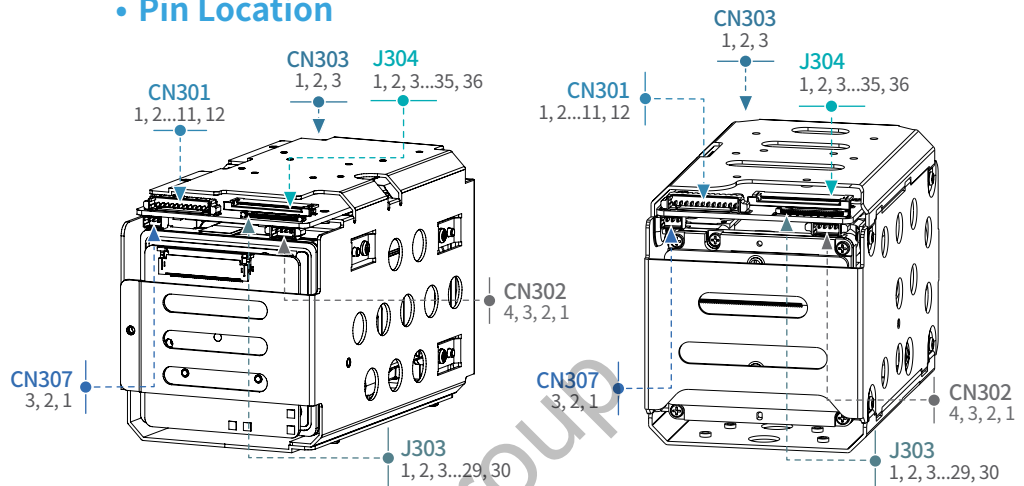
CN301/CN302/CN303/CN307/J303/J304

• Available Pin Type

*ATC-HZ5630Z-LP, ATC-HZ5230Z-LCN,
ATC-HZ5240T-LCN :

CN301/CN302/CN303/CN307/J303/J304

• Pin Location



CN301

Pin no.	CN301(External I/O) / Molex : 53261-1271
1	Vsync_OUT
2	Hsync_OUT
3	VCLK_OUT
4	GND
5	Vsync_IN
6	Hsync_IN
7	VCLK_IN
8	GND
9	Trig_Common
10	Trigger_IN
11	Strobe_Common
12	Strobe_IN

CN302

Pin no.	CN302(CVBS) / Molex: 53261-0471
1	POWER IN: +12VDC
2	GND
3	VIDEO: CVBS Output
4	AD_KEY

CN303

Pin no.	CN303(External D&N) / JST: SM03B-SRSS-TB
1	Ext_D&N: External D&N Input
2	GND
3	+3.3V Out(For sensor)

CN307

Pin no.	CN307(RS-232 TTL) / JST: SM03B-SRSS-TB
1	GND
2	RxD: CMOS 3.3V Read Data
3	TxD: CMOS 3.3V Send Data

J303

Pin no.	J303(Micro Co-Axial) / KEL Co.USL00-30L-C
1	TX_OUT3+
2	TX_OUT3-
3	TX_CLKOUT+
4	TX_CLKOUT-
5	TX_OUT2+
6	TX_OUT2-
7	TX_OUT1+
8	TX_OUT1-
9	TX_OUT0+
10	TX_OUT0-
11	GND
12	TXD: CMOS 5.0V Send Data(Compatible 3.3V)
13	RXD: CMOS 5.0V Read Data(Compatible 3.3V)
14	+12VDC
15	+12VDC
16	+12VDC
17	+12VDC
18	+12VDC
19	GND
20	GND
21	TX_OUT7+: Single out mode (open)
22	TX_OUT7-: Single out mode(open)
23	TX_OUT6+: Single out mode(open)
24	TX_OUT6-:Single out mode(open)
25	CVBS Output
26	RESET_IN: Reset - Low(GND), Normal(1.8V)
27	TX_OUT5+
28	TX_OUT5-
29	TX_OUT4+
30	TX_OUT4-

J304

Pin no.	J304(FFC Connector) / Hirose : FH12-36S-05SH(55)
1	GND
2	Y_OUT[0]
3	Y_OUT[1]
4	Y_OUT[2]
5	Y_OUT[3]
6	GND
7	Y_OUT[4]
8	Y_OUT[5]
9	Y_OUT[6]
10	Y_OUT[7]
11	GND
12	C_OUT[0]
13	C_OUT[1]
14	C_OUT[2]
15	C_OUT[3]
16	GND
17	C_OUT[4]
18	C_OUT[5]
19	C_OUT[6]
20	C_OUT[7]
21	GND
22	VSYNC
23	HSYNC
24	GND
25	VCLK_OUT
26	GND
27	GND
28	GND
29	GND
30	GND
31	POWER IN: +12VDC
32	POWER IN: +12VDC
33	POWER IN: +12VDC
34	GND
35	TXD: CMOS 5.0V Send Data(Compatible 3.3V)
36	RXD: CMOS 5.0V Read Data(Compatible 3.3V)



Pin assignment(HZ8240T-LTA)

ZOOM CAMERA

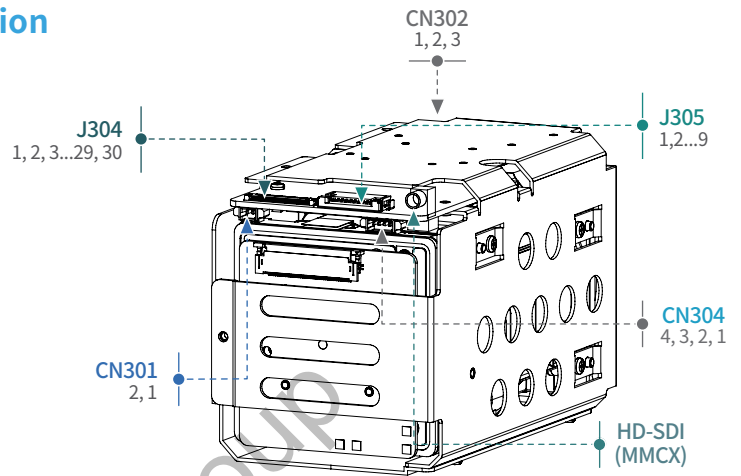
• Pin Type:

CN302/CN304/J304/J305/
MMCX[HD-SDI]

• Available Pin Type

*ATC-HZ8240T-LTA:
CN301/CN302/CN304/J304/J305/MMCX

• Pin Location



CN302

Pin no.	CN302(External D&N) / JST:SM03B-SRSS-TB
1	Ext_D&N : External D&N Input
2	GND
3	+3.3V Out(For Sensor)

CN304

Pin no.	CN304(TVI/AVI) / Molex 53261-0471
1	POWER IN: +12VDC
2	GND
3	TVI/AVI Output
4	GND

MMCX[EX-SDI/HD-SDI]

Jack	SDI Output connector / MMCX Jack Connector

J304

Pin no.	J304(Micro Co-Axial) / KEL Co.USL00-30L-C
1	TX_OUT3+
2	TX_OUT3-
3	TX_CLKOUT+
4	TX_CLKOUT-
5	TX_OUT2+
6	TX_OUT2-
7	TX_OUT1+
8	TX_OUT1-
9	TX_OUT0+
10	TX_OUT0-
11	GND
12	TXD : CMOS 5.0V Send Data(Compatible 3.3V)
13	RXD : CMOS 5.0V Read Data(Compatible 3.3V)
14	+12VDC
15	+12VDC
16	+12VDC
17	+12VDC
18	+12VDC
19	GND
20	GND
21	TX_OUT7+ : Single out mode (open)
22	TX_OUT7- : Single out mode(open)
23	TX_OUT6+ : Single out mode(open)
24	TX_OUT6- : Single out mode(open)
25	CVBS_OUT
26	RESET_IN : Reset - Low(GND), Normal(1.8V)
27	TX_OUT5+ : Single out mode (open)
28	TX_OUT5- : Single out mode (open)
29	TX_OUT4+ : Single out mode (open)
30	TX_OUT4- : Single out mode (open)

J305

Pin no.	J305 / Molex : 52207-0933
1	Default GND (Optional RS485_EN or AD key)
2	TVI/AVI Output
3	GND
4	CVBS Output
5	GND
6	+12VDC
7	GND
8	TXD : CMOS 5.0V Send Data(Compatible 3.3V)
9	RXD : CMOS 5.0V Read Data(Compatible 3.3V)



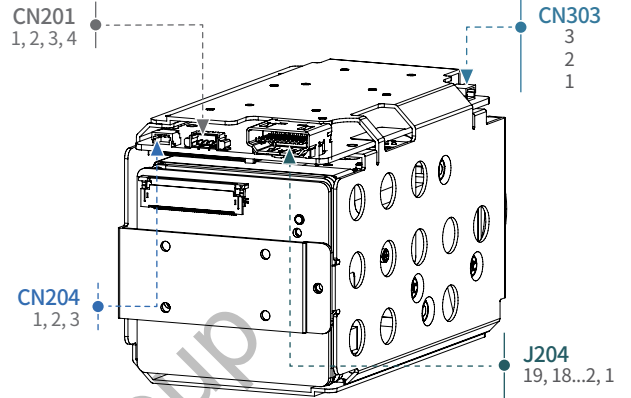
Pin assignment(UZ5818M-H)

ZOOM CAMERA

• Pin Type:

CN201/CN202/ CN204/J204

• Pin Location



• Available Pin Type

*ATC-UZ5818M-H:

CN201/CN202/ CN204/J204

CN201

Pin no.	CN201(CVBS) / Molex : 53261-0471
1	POWER IN: +12VDC
2	GND
3	VIDEO: CVBS Output
4	AD_KEY

CN202

Pin no.	CN202(External D&N)/ JST: SM03B-SRSS-TB
1	Ext_D&N: External D&N Input
2	GND
3	+3.3V Out(For sensor)

CN204

Pin no.	CN204(RS-232 TTL) / JST: SM03B-SRSS-TB
1	GND
2	RxD: CMOS 3.3V Read Data
3	TxD: CMOS 3.3V Send Data

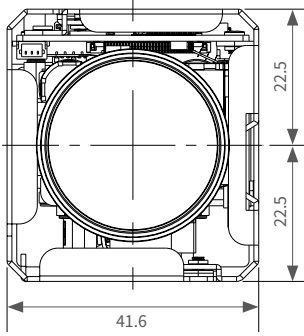
J204

Pin no.	J204(HDMI)/ 51U019S-30S1N-AR
1	TMDS2+
2	GND
3	TMDS2-
4	TMDS1+
5	GND
6	TMDS1-
7	TMDS0+
8	GND
9	TMDS0-
10	TMDS+
11	GND
12	TMDS-
13	CEC
14	NC
15	DDC_SCL
16	DDC_SDA
17	GND
18	+5VDC
19	HPD

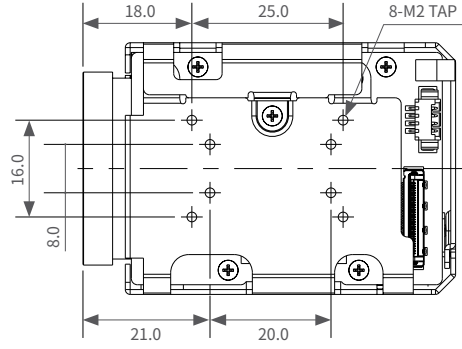


ATC-HZ7810C

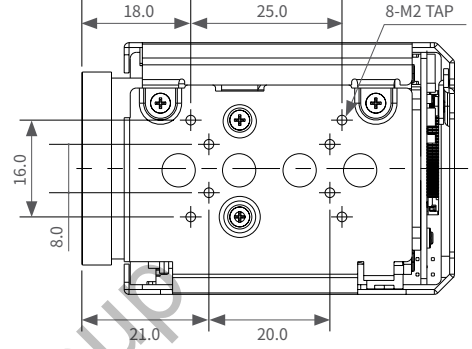
Front



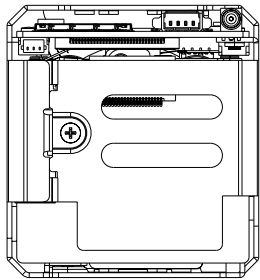
Top



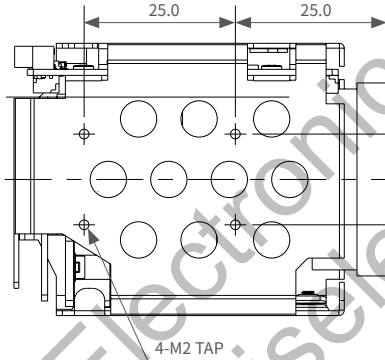
Bottom



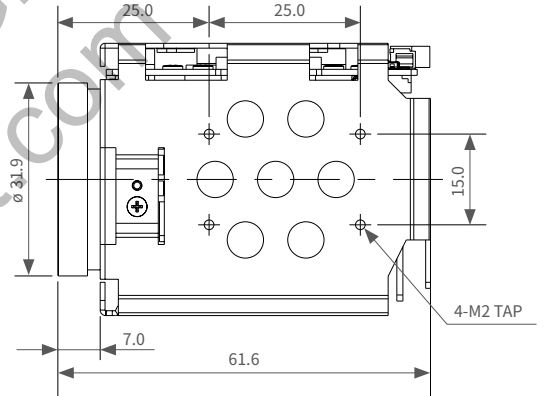
Rear



Left

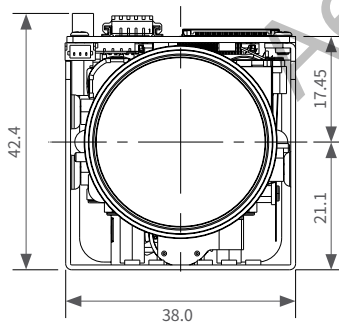


Right

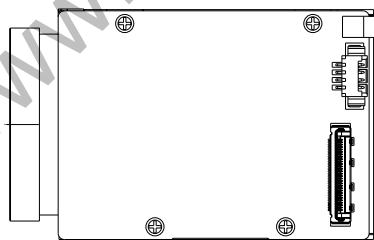


ATC-HZ7810C

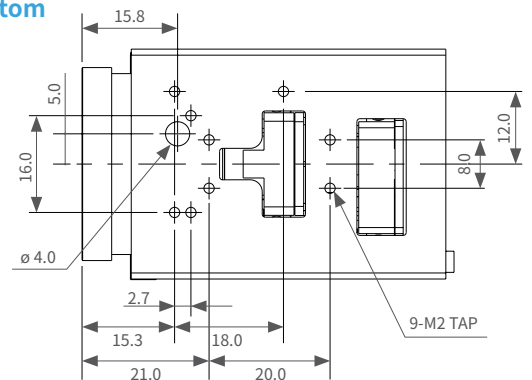
Front



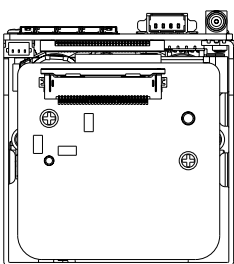
Top



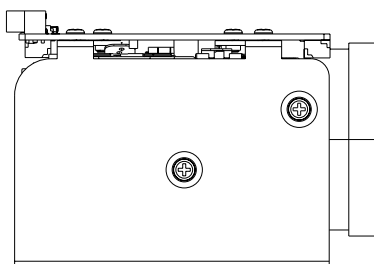
Bottom



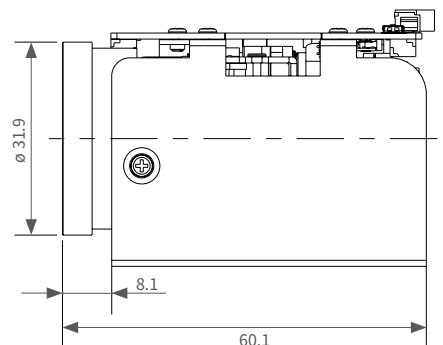
Rear



Left

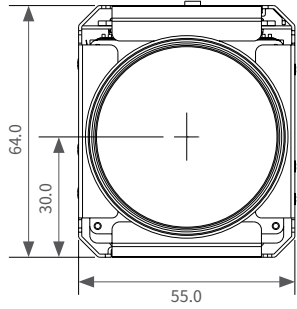


Right

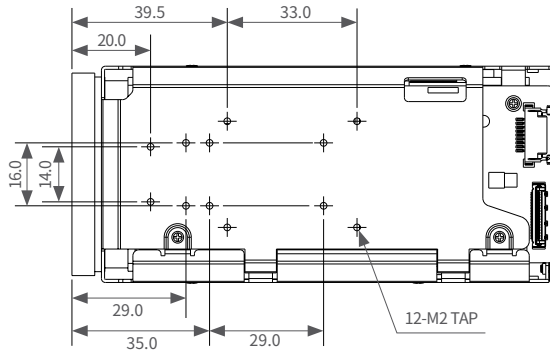


ATC-HZ7830W/36W

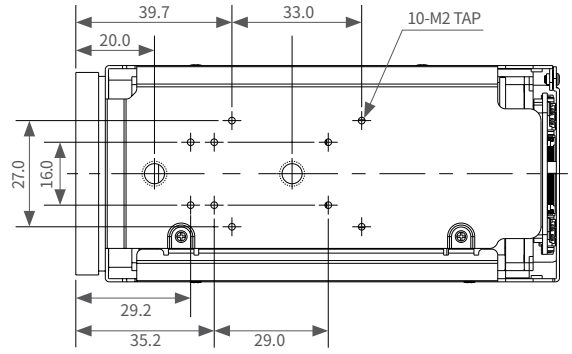
Front



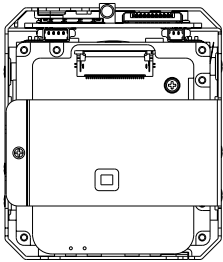
Top



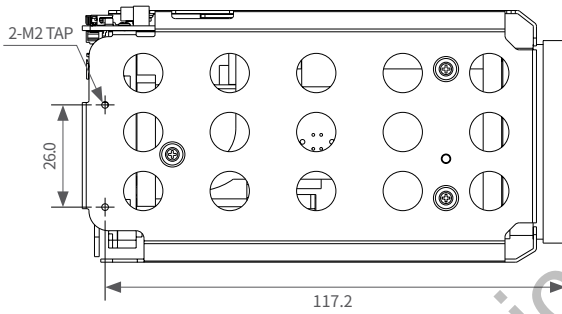
Bottom



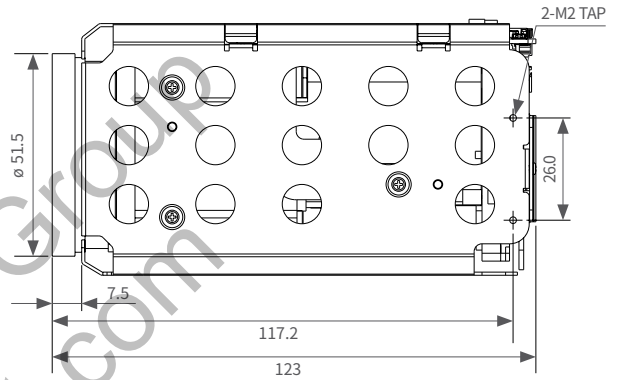
Rear



Left

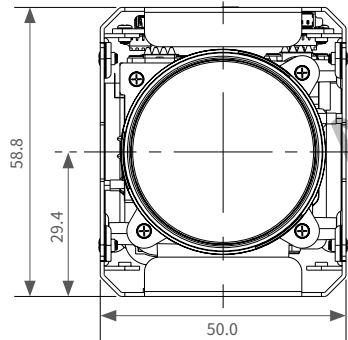


Right

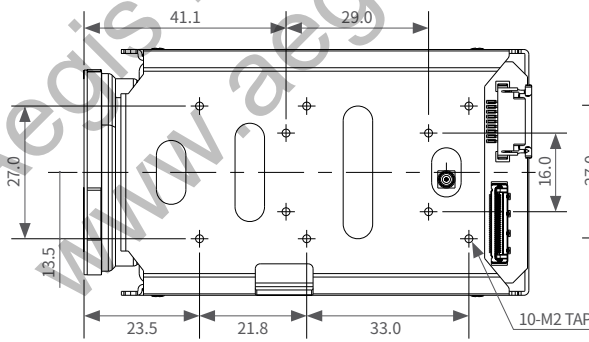


ATC-HZ7830T

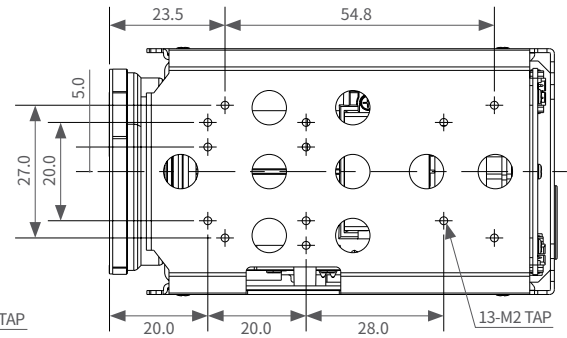
Front



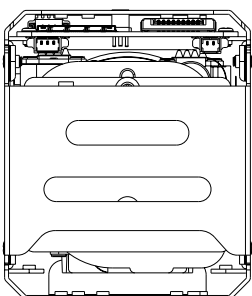
Top



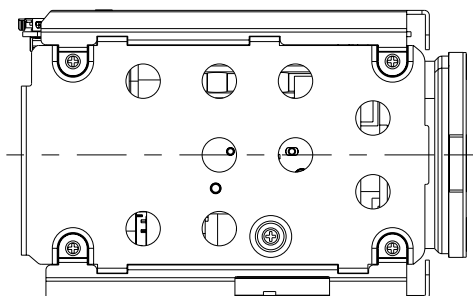
Bottom



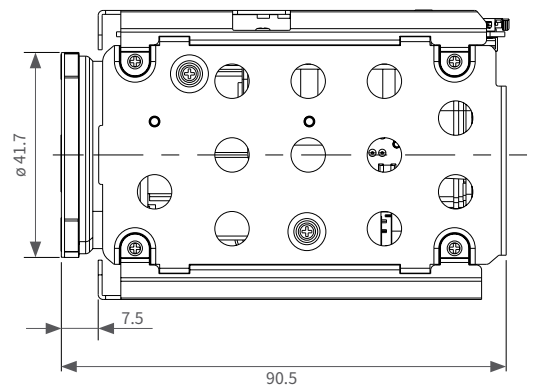
Rear



Left

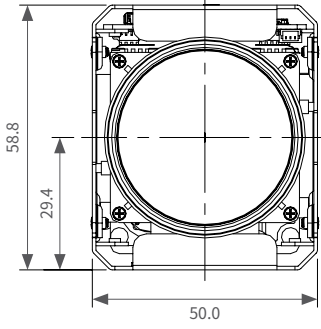


Right

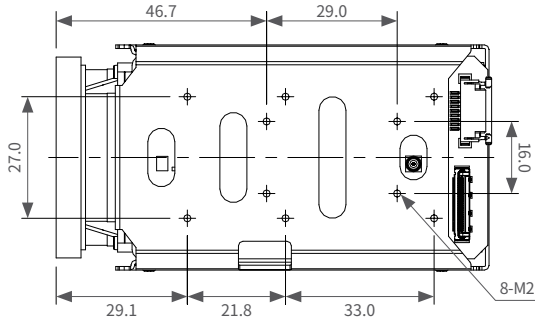


ATC-HZ7830Z

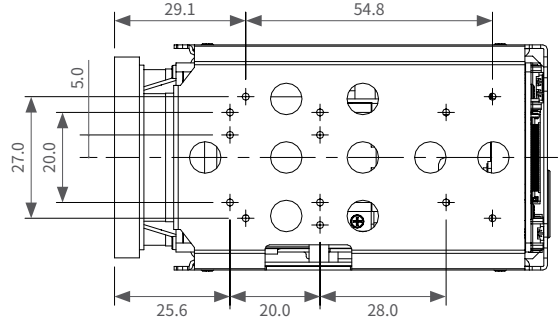
Front



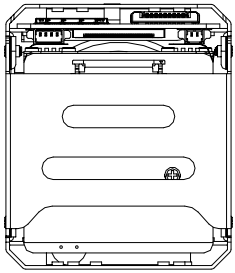
Top



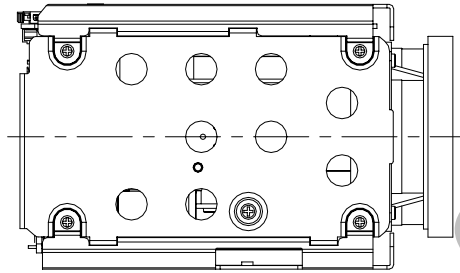
Bottom



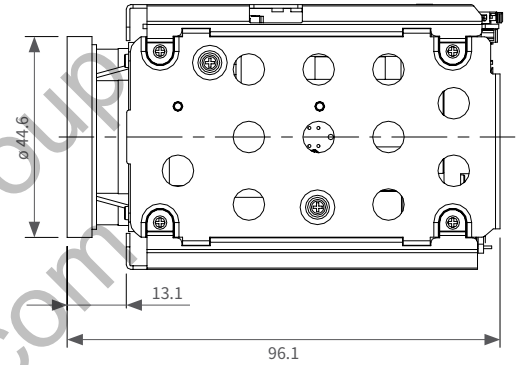
Rear



Left

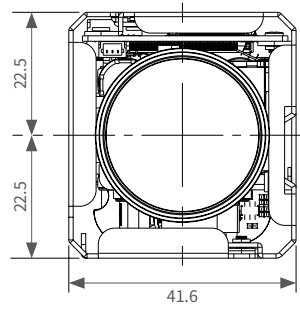


Right

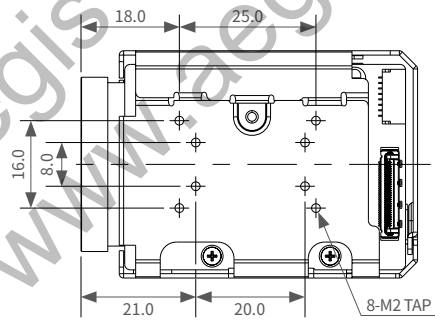


ATC-HZ5610C

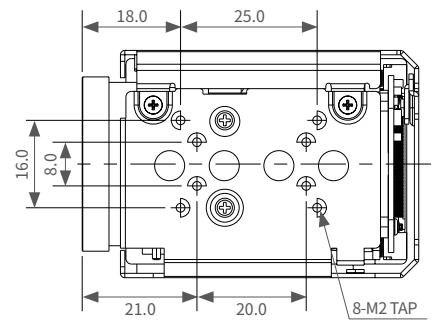
Front



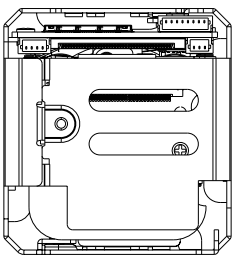
Top



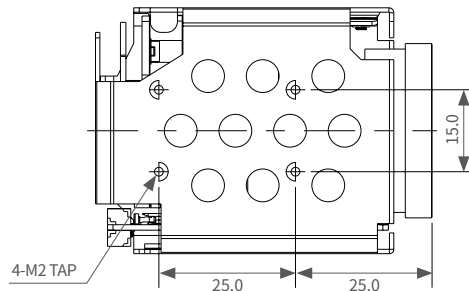
Bottom



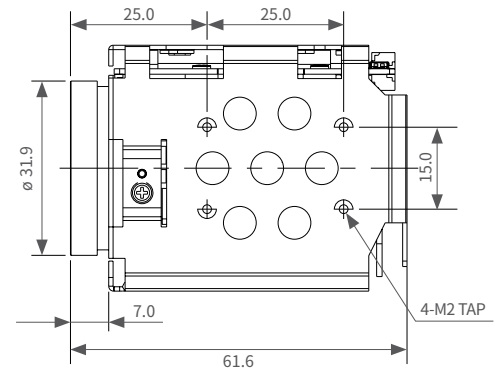
Rear



Left

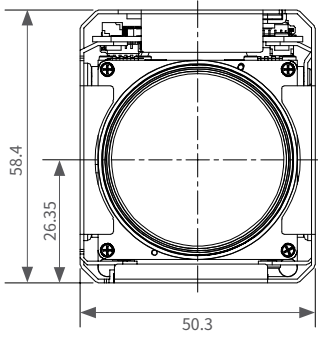


Right

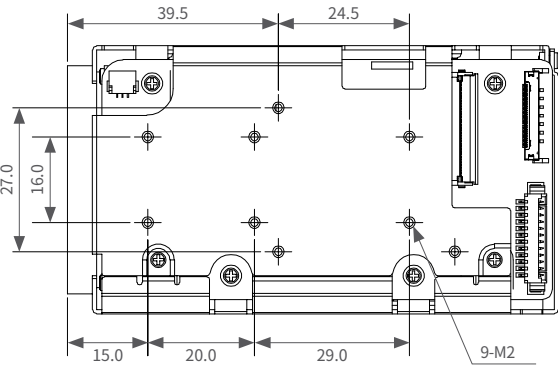


ATC-HZ5612W

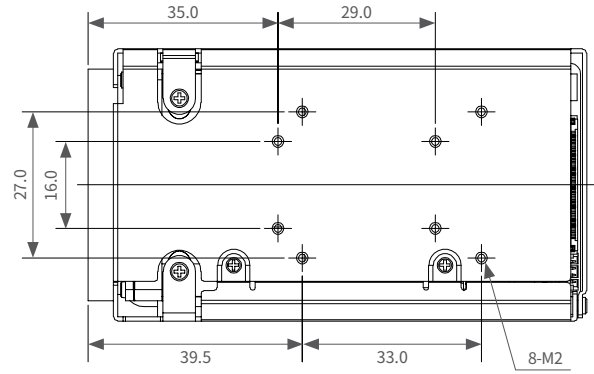
Front



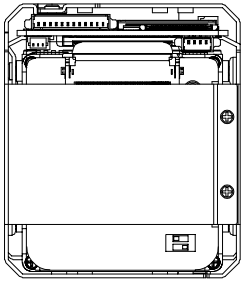
Top



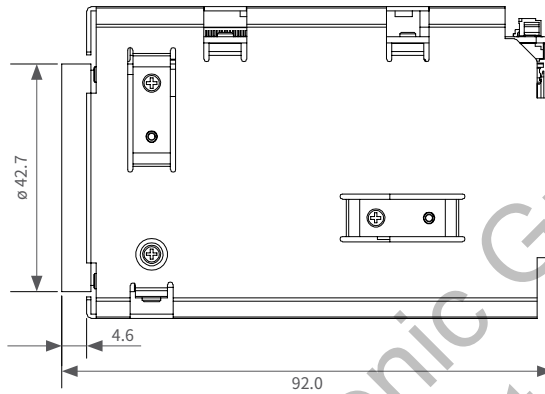
Bottom



Rear

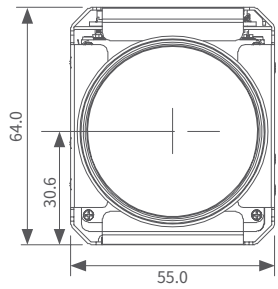


Right

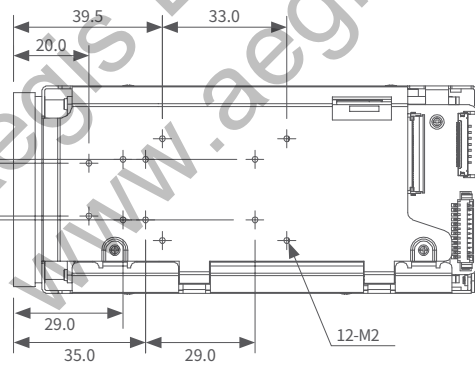


ATC-HZ5630W/36W

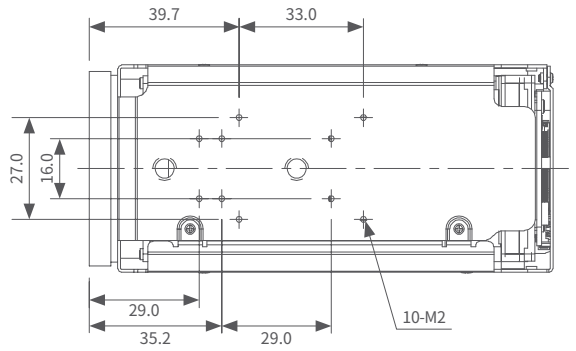
Front



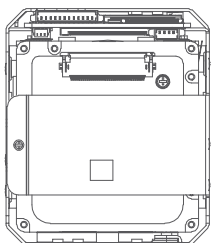
Top



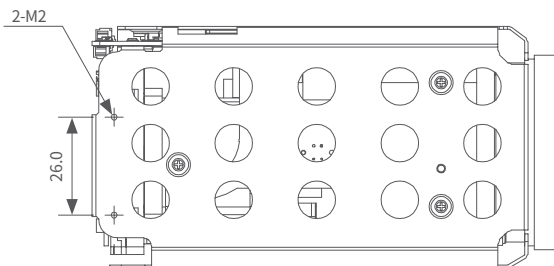
Bottom



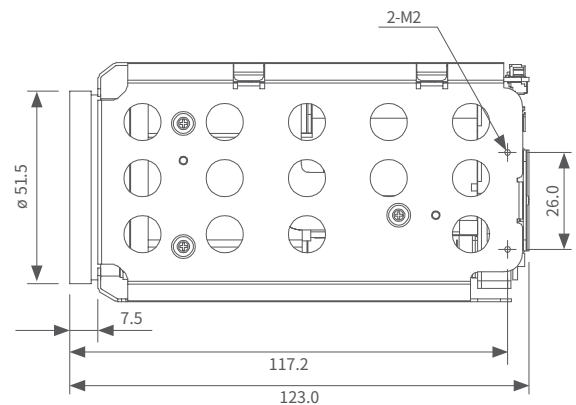
Rear



Rear

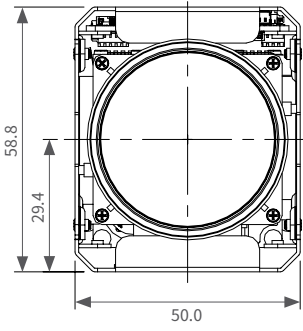


Right

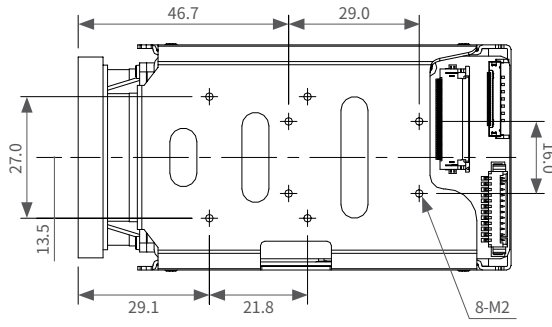


ATC-HZ5630Z

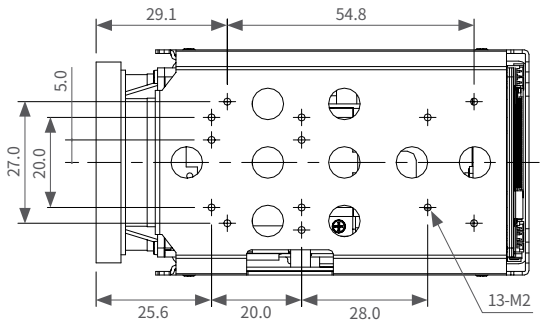
Front



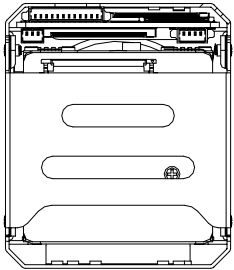
Top



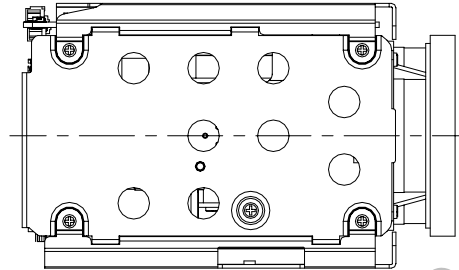
Bottom



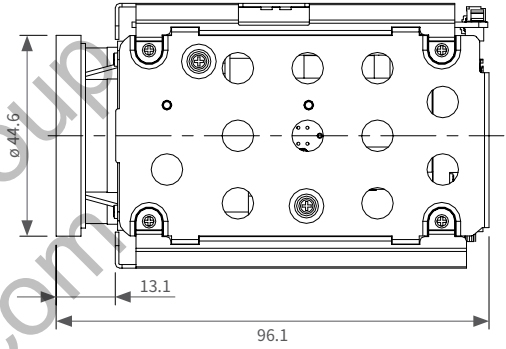
Rear



Left

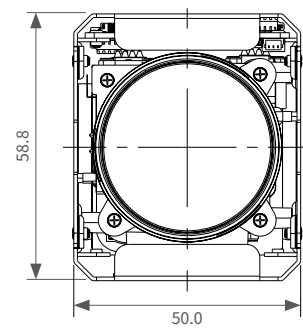


Right

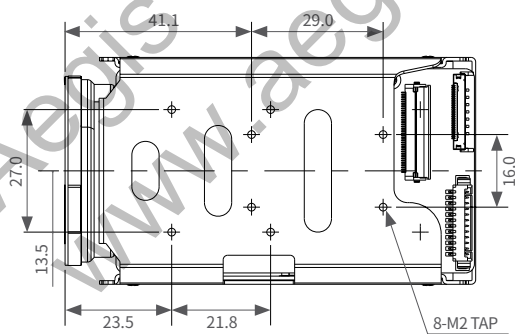


ATC-HZ5630T

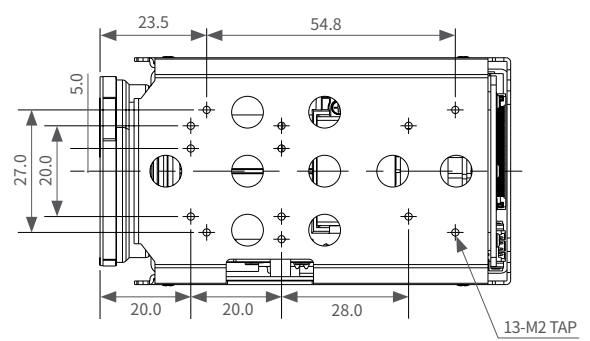
Front



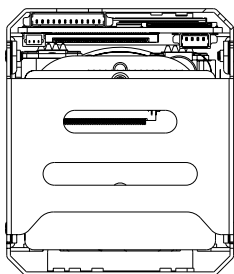
Top



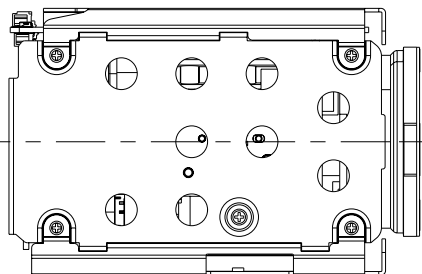
Bottom



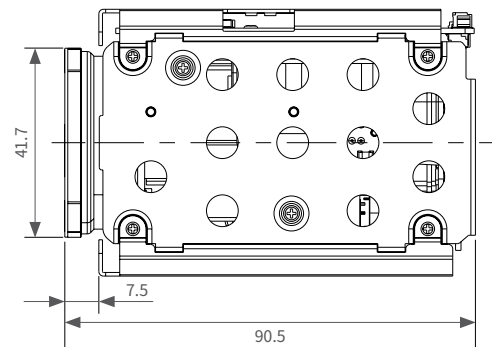
Rear



Left

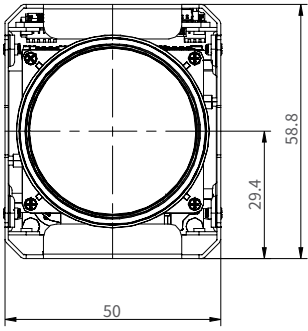


Right

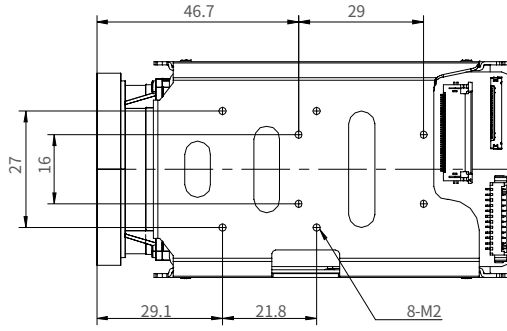


ATC-HZ5230Z-LCN

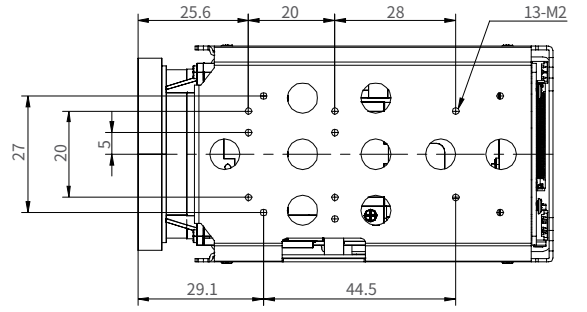
Front



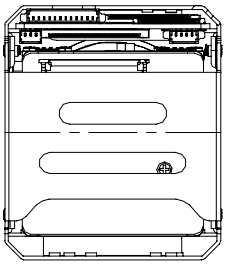
Top



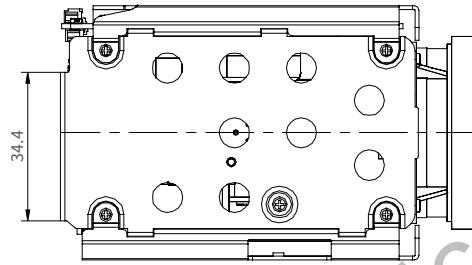
Bottom



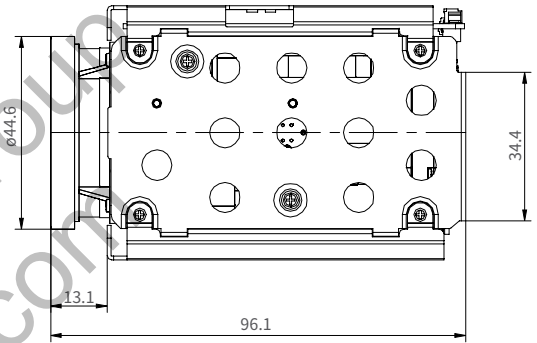
Rear



Left

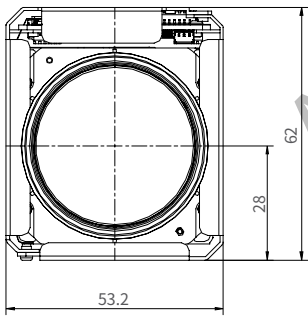


Right

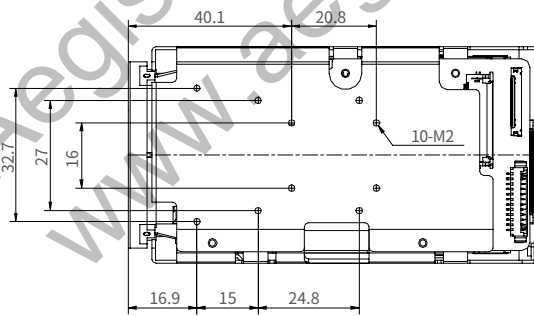


ATC-HZ5240T-LCN

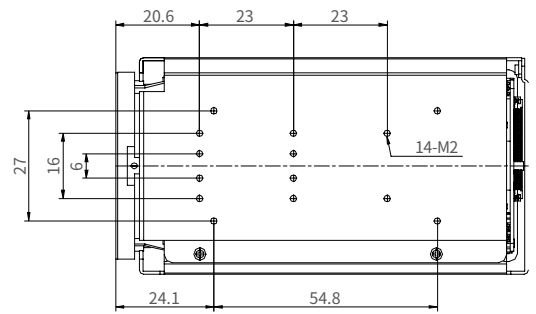
Front



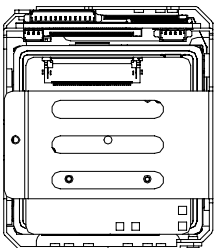
Top



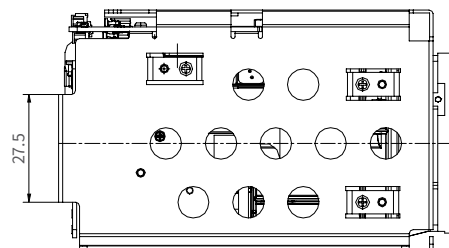
Bottom



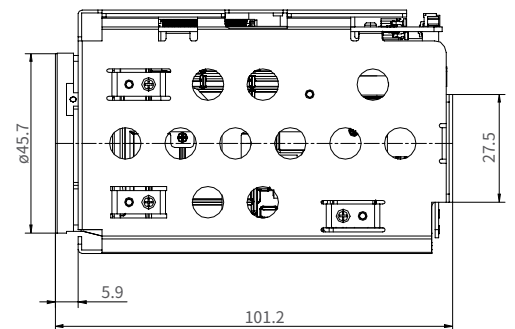
Rear



Left

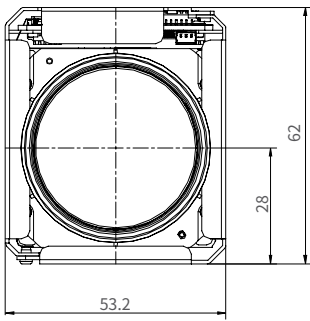


Right

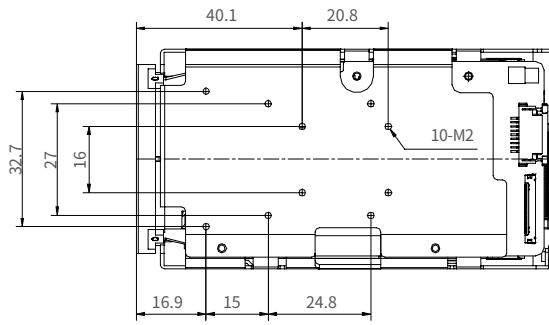


ATC-HZ8240T-LTA

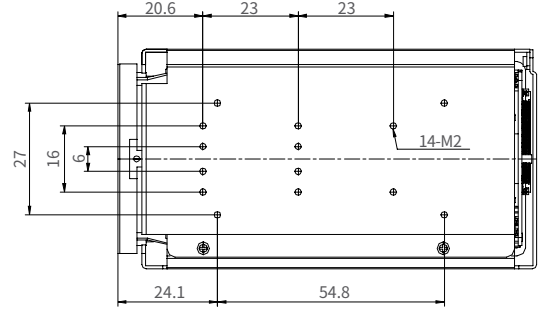
Front



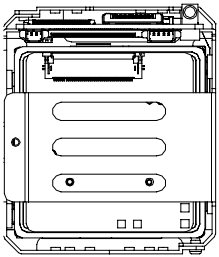
Top



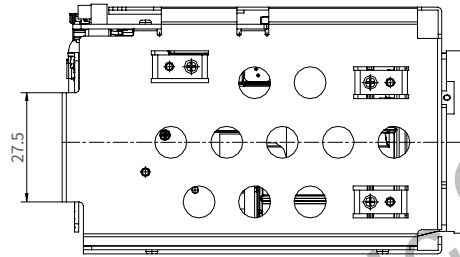
Bottom



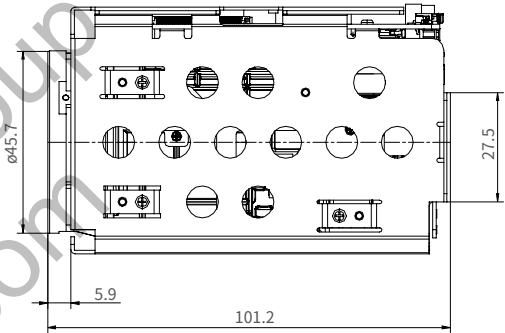
Rear



Left

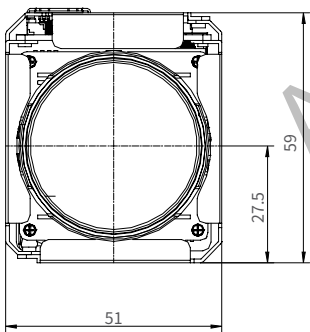


Right

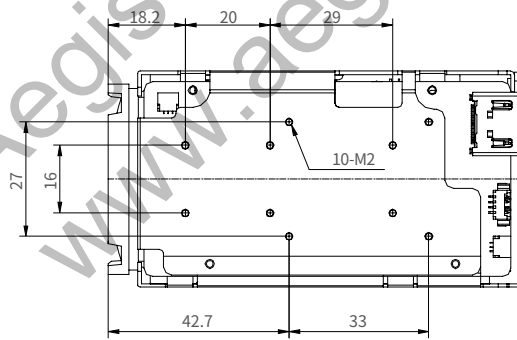


ATC-UZ5818M-H

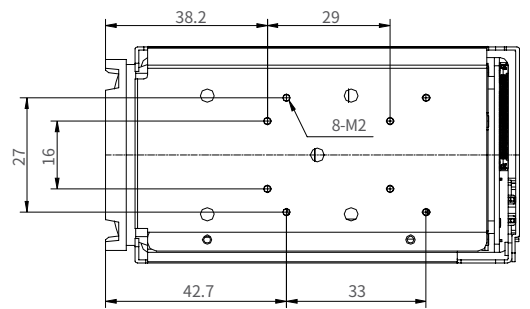
Front



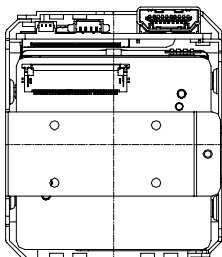
Top



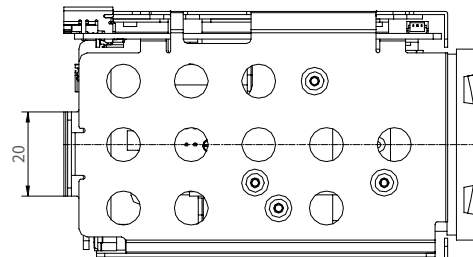
Bottom



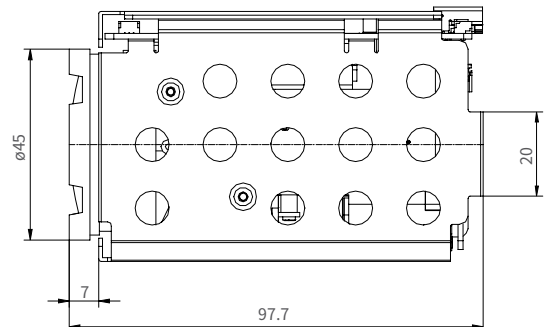
Rear



Left



Right



MEMO

Aegis Electronic Group
www.aegiselect.com