



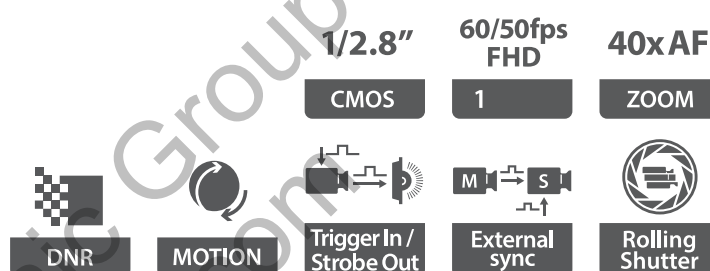
# ATC-HZ5240T-LC

FHD 2.13MP High Resolution  
40x Rolling Shutter Zoom Camera



## features

- 1/2.8" Progressive Scan STARVIS CMOS
- 480x AF Zoom (40x optical zoom, 12x digital zoom)
- 1080p 60/50/30/25fps
- Mechanical Day&Night
- True WDR
- 3D DNR, Defog
- UART RS232-TTL (Pelco-D, Pelco C, VISCA, Hitachi)

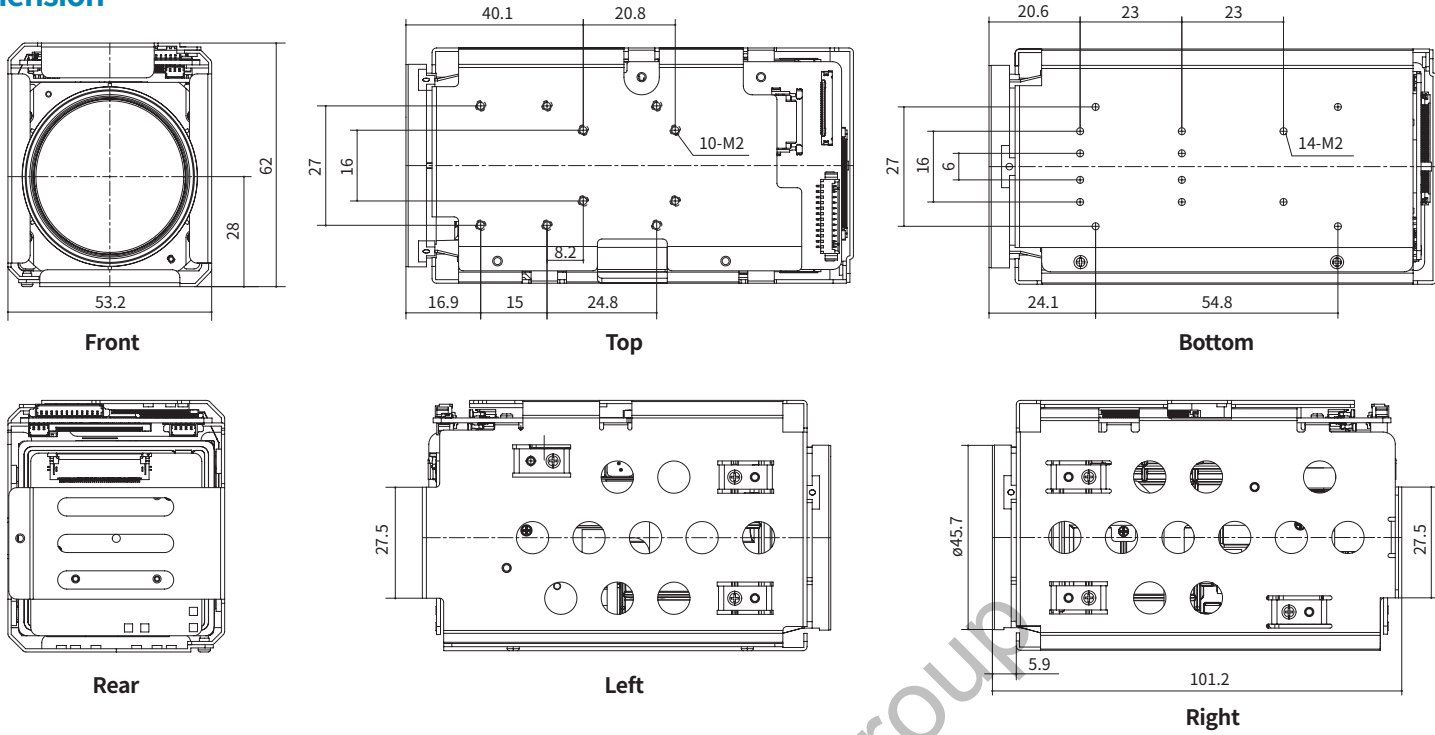


## Specifications

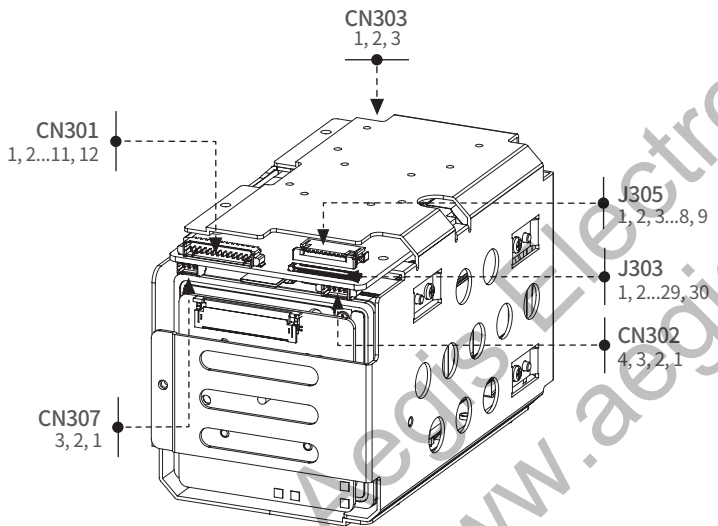
Image Sensor		1/2.8" Progressive Scan STARVIS CMOS
Effective Pixels		2.13MP 1945(H) x 1097(V)
Video Output Mode	Common	LVDS / CVBS
Max. Video Resolution		LVDS : 1080p@60(50fps)
Synchronization system		Internal / External Option
Min. Illumination		Day mode: 0.01Lux(F1.6) Night mode: 0.006Lux(F1.6/ IR-cut filter on) Sens-Up off, AGC60dB
S/N Rate		More than 55dB(AGC off, Sens-Up off)
Type		AF Optical zoom lens(DC Iris), IR Corrective
Lens	Focal Length	f=4.25mm~170mm
	F-value	F1.6(W)~4.95(T)
	Angle of View	Horizontal 65.6°(W)~1.9°(T), Vertical 39.3°(W)~1.1°(T)
Zoom ratio		Optical 40x / Digital 12x
Focus Min. Working Distance		0.01m(Wide)/3.0m(Tele)~∞
Focus Control		Auto/Manual/Interval/One Push/Preset
AE Mode		Auto/Shutter Priority/Iris Priority/ AGC Priority/Manual
Brightness		0~20
Manual Shutter		1/1, 1/2, 1/4(3), 1/8(6), 1/15(12), 1/30(25), 1/60(50)~1/10000
Manual Iris		F1.6~F32, Close
Sense-up		Off~32fields
ETC		Spot AE, Slow AE
D&N Mode		Auto/Day(Color)/Night(BW)/External-H or L
White Balance		AUTO/ATW/Indoor/Outdoor/One Push/Manual
Image Freeze		Off/On
Image Flip		Off/Horizontal/Vertical/H+V(180° Flip)
Privacy Mask Zone		8 Zones/14 mask color selectable

Digital Image Stabilization		Yes
Motion Detection		4 Zones
D-WDR		Off/On/Auto
WDR		Off/On, Adjustable (Strength:0~29, Contrast:0~5, AGC Max:1~50, HDR Sharpness:0~20, HDR Contrast:0~20, HDR Saturation:0~20)
BLC		Off/On, Area selectable
HLC		Off/On, Area selectable
AGC		Max.60dB
Sharpness		Adjustable(0~20)
3D-DNR		Off/Auto/Low/Middle/High
2D-DNR		Off/Auto/Low/Middle/High
Defog		Off/On/Auto
Preset		256 position Presets(Zoom,Focus), 16Memory Presets, Custom Preset
Language		English
Remote		RS232 TTL +5.0V(+3.3V compatible)
UART	Protocol	VISCA/Pelco-D/Pelco-P/ Hitachi: Automatic detection
	Baud rate	2400/4800/9600/19200/38400/57600/115200bps
Supply Voltage		12VDC(9V to 15VDC)
Power Consumption		Max.6.1W / Non-working zoom&focus 2.9W
Dimension(mm)		53.2x62x101.2mm
Weight		Approx.315g
Operating Temperature		-10°C~+50°C, Humidity(Less than 90%)
Storage Temperature		-20°C~+60°C, Humidity(Less than 90%)
Remark		

## Dimension



## Pin Assignment



Pin no.	CN301(External I/O) / Molex : 53261-1271
1	Vsync_OUT
2	Hsync_OUT
3	VCLK_OUT
4	GND
5	Vsync_IN
6	Hsync_IN
7	VCLK_IN
8	GND
9	Trigger_Common
10	Trigger_IN
11	Strobe_Common
12	Strobe_OUT

Pin no.	CN302(CVBS) / Molex : 53261-0471
1	POWER IN: +12VDC
2	GND
3	VIDEO: CVBS Output
4	AD_KEY

Pin no.	CN303(External D&N) / JST: SM03B-SRSS-TB
1	Ext_D&N : External D&N Input
2	GND
3	+3.3V Out(For sensor)

Pin no.	CN307(RS-232 TTL) / JST: SM03B-SRSS-TB
1	GND
2	RxD: CMOS 5.0V Read Data(Compatible 3.3V)
3	TxD: CMOS 5.0V Send Data(Compatible 3.3V)

Pin no.	J305(FFC Connector)/ Molex : 52207-0933
1	Default GND (optional: ADKEY)
2	N/A
3	GND
4	CVBS Output
5	GND
6	POWER IN: +12VDC
7	GND
8	TXD: CMOS 5.0V Send Data(Compatible 3.3V)
9	RXD: CMOS 5.0V Read Data(Compatible 3.3V)

Pin no.	J303(Micro Co-Axial) / KEL Co.USL00-30L-C
1	TX_OUT3+
2	TX_OUT3-
3	TX_CLKOUT+
4	TX_CLKOUT-
5	TX_OUT2+
6	TX_OUT2-
7	TX_OUT1+
8	TX_OUT1-
9	TX_OUT0+
10	TX_OUT0-
11	GND
12	TXD: CMOS 5.0V Send Data(Compatible 3.3V)
13	RXD: CMOS 5.0V Read Data(Compatible 3.3V)
14	+12VDC
15	+12VDC
16	+12VDC
17	+12VDC
18	+12VDC
19	GND
20	GND
21	TX_OUT7+ : Single out mode (open)
22	TX_OUT7- : Single out mode(open)
23	TX_OUT6+ : Single out mode(open)
24	TX_OUT6- :Single out mode(open)
25	CVBS Output
26	RESET_IN: Reset - Low(GND), Normal(1.8V)
27	TX_OUT5+ : Single out mode (open)
28	TX_OUT5- : Single out mode (open)
29	TX_OUT4+ : Single out mode (open)
30	TX_OUT4- : Single out mode (open)