



**ELECTRONIC GROUP, INC**  
480-635-8400 p \* aegis-g2@aegiselect.com  
http://www.aegis-elec.com

# New VQ GigE Vision Cameras

The Smallest GigE Cameras Featuring VGA to 20 MP

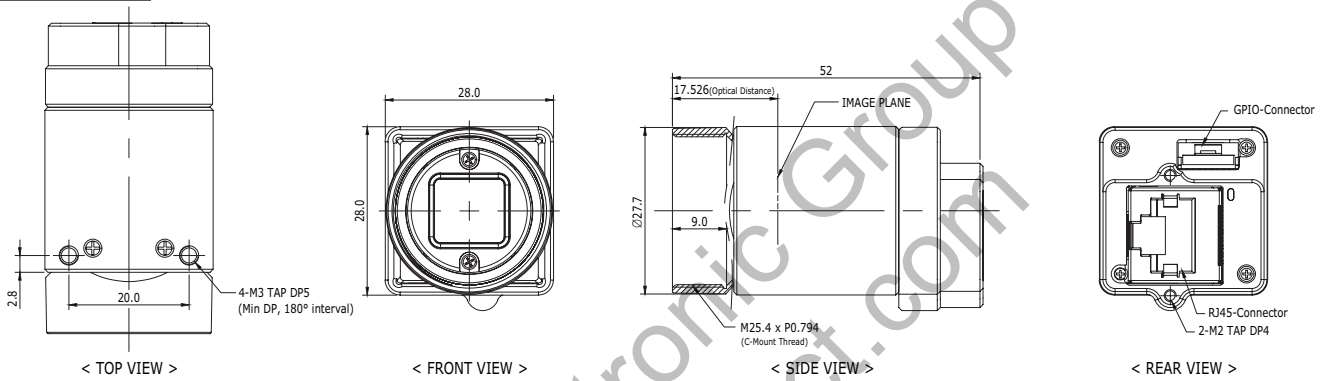


| Model              | Resolution  | Frame Rate | Interface | Optical Format | Sensor      | Pixel Size        |
|--------------------|-------------|------------|-----------|----------------|-------------|-------------------|
| VQ-400G2-M/C 291 H | 728 × 544   | 291 fps    | GigE      | 1/2.9"         | Sony IMX287 | 6.90 μm × 6.90 μm |
| VQ-1600G2-M/C 77 H | 1440 × 1080 | 77 fps     | GigE      | 1/2.9"         | Sony IMX273 | 3.45 μm × 3.45 μm |
| VQ-2MG2-M/C 52 H   | 1920 × 1200 | 52 fps     | GigE      | 1/2.3"         | Sony IMX392 | 3.45 μm × 3.45 μm |
| VQ-3MG2-M/C 38 H   | 2048 × 1536 | 38 fps     | GigE      | 1/1.8"         | Sony IMX265 | 3.45 μm × 3.45 μm |
| VQ-5MG2-M/C 24 H   | 2448 × 2048 | 24 fps     | GigE      | 2/3"           | Sony IMX264 | 3.45 μm × 3.45 μm |
| VQ-12MG2-M/C 10 H  | 4096 × 3000 | 9.9 fps    | GigE      | 1.1"           | Sony IMX304 | 3.45 μm × 3.45 μm |
| VQ-20MG2-M/C 6 H   | 5472 × 3648 | 6 fps      | GigE      | 1"             | Sony IMX183 | 2.40 μm × 2.40 μm |

- \* Industrial Inspection – Wafer, Flat Panel Display, Solar Panel, etc.
- \* Food Sorting and Inspection
- \* Microscopy

## Mechanical Dimensions

VQ-400G2-M/C 291 H  
 VQ-1600G2-M/C 77 H  
 VQ-2MG2-M/C 52 H  
 VQ-3MG2-M/C 38 H  
 VQ-5MG2-M/C 24 H



VQ-12MG2-M/C 10 H  
 VQ-20MG2-M/C 6 H

