

VB-H47

Keep every angle covered

The VB-H47 Full HD PTZ IP security camera combines a powerful 320x zoom, excellent low-light capability, WDR (Wide Dynamic Range) function and fast auto-focus. Flexible installation options for indoor use.



With DR41-C-VB Indoor Clear Dome Housing

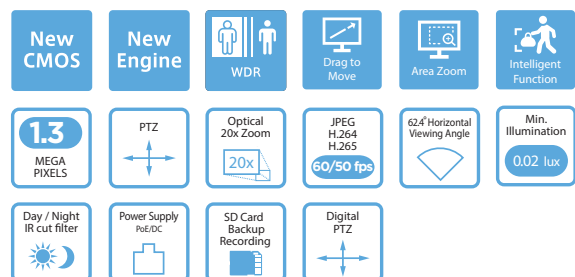


VB-H47



Canon's popular network cameras have further evolved with the latest specifications and performance, equipped with a new image sensor and video network engine, while maintaining various functions, compactness, and ease of use.

- Full HD PTZ IP security camera
- Powerful 20x optical zoom lens with 16x digital zoom and fast autofocus
- Remarkable low-light performance: color at 0.02 lux and mono at 0.003 lux. Records clearly even at night, when subjects are hard to see with the naked eye.
- WDR performance enables shooting the entire scene with large differences in brightness with high visibility
- Fast, high-precision Pan, Tilt, Zoom (PTZ) capability to programmed pre-set positions
- Delivering full HD 60 fps video stream and simultaneously five streams including two H.265 or H.264 streams
- ONVIF Profile-S/G/T compliant
- Two color options: Titanium white and Black



Technical Specifications

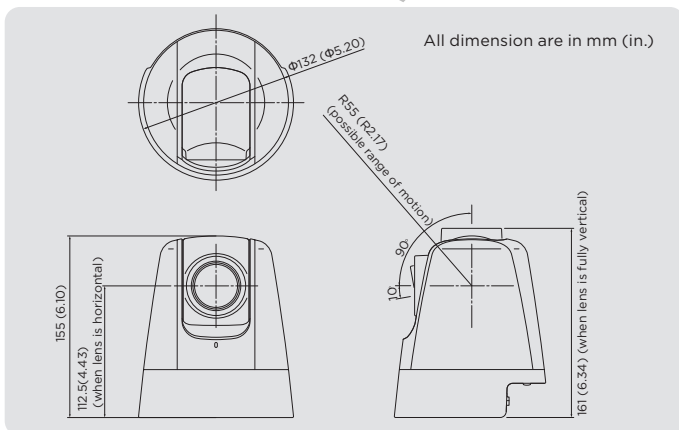
VB-H47

CAMERA	
Image Sensor	1/2.8 type CMOS
Number of Effective Pixels	Approx. 2.0 million pixels
Scanning Method	Progressive
Lens	20x optical zoom (16x digital zoom) lens with auto focus
Focal Length	4.7 (W) - 94 mm (T)
F-number	F1.6 (W) - F3.5 (T)
Angle of View	For 16:9 aspect ratios: Horizontal: 62.4° (W) - 3.3° (T) Vertical: 36.3° (W) - 1.9° (T) For 4:3 aspect ratios: Horizontal: 47.9° (W) - 2.5° (T) Vertical: 36.3° (W) - 1.9° (T)
Day / Night Switch	Auto / Day Mode / Night Mode
Min. Subject Illumination	Day Mode (color): 0.02 lux (F1.6, shutter speed 1/30 sec., 50IRE) Night Mode (monochrome): 0.003 lux (F1.6, shutter speed 1/30 sec., 50IRE)
Focus	Auto / One-shot AF / Manual / Fixed at infinity
AF Response	Available
Shooting Distance (from front of lens)	Day Mode: 0.3 m (12 in.) - infinity (W), 1.0 m (3.3 ft.) - infinity (T) Night Mode: 1.0 m (3.3 ft.) - infinity (W), 1.5 m (4.9 ft.) - infinity (T) When [Enable] is selected for [Dome]: Day Mode: 2.0 m (6.6 ft.) - infinity (W, T) Night Mode: 1.0 m (3.3 ft.) - infinity (W), 2.2 m (7.2 ft.) - infinity (T)
Shutter Speed	1/1, 1/2, 1/4, 1/8, 1/13, 1/15, 1/25, 1/30, 1/50, 1/60, 1/100, 1/120, 1/250, 1/360, 1/500, 1/720, 1/1000, 1/1400, 1/2000, 1/3000, 1/4000, 1/6000, 1/8000, 1/10000, 1/16000 sec.
Exposure	Auto/Auto (Flickerless)/Auto (Shutter-priority AE)/Auto (Aperture-priority AE)/Manual
White Balance	Auto/Manual
Metering Modes	Center-Weighted/Average/Spot/Specify Area
Exposure Compensation	13 levels
WDR	Available
Smart Shade Control	Available
Haze Compensation	Available
AGC Limit	Available
Image Stabilizer	Available - Except when the maximum frame rate is set to 60 fps or 50 fps
Motion-Adaptive NR (Noise Reduction)	Available
Pan Angle Range	340° (±170°)
Tilt Angle Range	100° (ceiling-mounted position: -90° - +10°) - When the horizontal direction of the camera is 0°
Moving Speed	Pan: Max. 150°/sec., Tilt: Max. 150°/sec.
SERVER UNIT	
Video Compression Method	JPEG, H.264, H.265
Video Size	JPEG, H.264, H.265: 1920 x 1080, 1280 x 720, 960 x 540, 640 x 360, 480 x 270, 320 x 180, 1280 x 960, 640 x 480, 320 x 240
Video Quality	JPEG, H.264, H.265: 10 levels
Frame Rate	System frequency 60 Hz: 1, 5, 7.5, 10, 15, 30, 60 fps System frequency 50 Hz: 1, 2.5, 5, 6.25, 10, 12.5, 25, 50 fps - Values which can be set vary depending on the WDR settings or the Intelligent Function settings.
Simultaneous Client Access	Max. 30 Clients + 1 Admin Client - H.264: Max. 10 Clients - H.265: Max. 10 Clients
Bit Rate Control	CBR (Constant Bit Rate), VBR (Variable Bit Rate), MBR (Maximum Bit Rate)
ADSR: Area-specific Data Size Reduction	Available
Security	Camera Control: Administrator, Authorized user, Guest user (level of control varies depending on user) Access Control: User authority (user name and password), Host Access Restrictions (IPv4, IPv6) IEEE802.1X: EAP-TLS, EAP-TTLS, EAP-PEAP Encrypted Communications: SSL/TLS
Protocol	IPv4, IPv6, TCP/IP, UDP, HTTP, SNMPv1/v2c/v3 (MIB2), DHCP, DNS, AutoIP, mDNS, ARP, ICMP, POP3, NTP, SMTP, RTP/RTCP, RTSP, SSL/TLS, ONVIF, WV-HTTP (Canon proprietary)
ONVIF Profile	Profile-S, Profile-G, Profile-T
Audio Compression Method	G.711 μ-law (64 Kbps), AAC (16/48 KHz, 16/32/64/96/128 Kbps)
Audio Communication Method	Full-duplex (two-way)/half-duplex RTP, Sound Transfer Protocol by Canon

Audio File Playback	Available
Privacy Mask	Available
Panorama	Available
View Restriction	Available
Preset	Number of registers: Max. 64 positions (+Home Position) Number of Preset Tour Route: Max. 5
Intelligent Function	Moving Object Detection, Abandoned Object Detection, Removed Object Detection, Camera Tampering Detection, Passing Detection, Intrusion Detection, Volume Detection, Face Detection
Event Trigger Type	External Device Input, Intelligent Function, Timer, Day/Night Mode Switching Number of Linked Events: 2 Linked Event Conditions: OR, AND (whether or not there is a sequence to events)
Image Upload	FTP/FTPS/HTTP/HTTPS/SMTP/SMTPTS (e-mail)
Event Notification	HTTP/HTTPS/SMTP/SMTPTS (e-mail)
Log Notification	SMTP/SMTPTS (e-mail)
Enhanced Digital Zoom	Available
On-Screen Display	Available
APPLICATION	
Camera software	Camera Management Tool Recorded Video Utility
Language	Settings Page, Camera Viewer, Mobile Camera Viewer: German/English/Spanish/French/Italian/Russian/Thai/Korean/Chinese (Simplified)/Japanese Recorded Video Utility, Camera Management Tool: German/English/Spanish/French/Italian/Polish/Russian/Turkish/Thai/Korean/Chinese (Simplified)/Japanese
INTERFACE	
Network Terminal	LAN x1 (RJ45, 100Base-TX (auto))
Audio Input Terminal (common for LINE IN & MIC IN)	Φ3.5 mm (Φ0.14 in.) mini-jack connector (monaural) LINE IN or MIC IN
Audio Output Terminal (LINE OUT)	Φ3.5 mm (Φ0.14 in.) mini-jack connector (monaural) LINE OUT
External Device I/O Terminal	Input x 2, Output x 2
Memory Card	SD Memory Card, SDHC Memory Card, SDXC Memory Card Supported. - Class 10 recommended.
OTHER	
Operating Environment	Temperature DC, PoE: -10°C - +50°C (+14°F - +122°F) Humidity 5% - 85% (without condensation)
Storage Environment	Temperature -30°C - +60°C (-22°F - +140°F) Humidity 5% - 90% (without condensation)
Power Supply	PoE: PoE power supply via LAN connector (IEEE802.3at Type1 compliant) AC Adapter: PA-V18 (100 - 240 V AC) (sold separately) External power source: 12 V DC
Power Consumption	PoE: Max. approx. 9.1 W* AC Adapter PA-V18: Max. approx. 9.2 W (100 V AC) Max. approx. 9.7 W (240 V AC) DC: Max. approx. 7.9 W * Class 0 power sourcing equipment (requests 15.4 W)
Dimensions	(Φx H) Φ132 x 155 mm (Φ5.20 x 6.10 in.) - Camera only (excluding Ceiling Plate)
Weight	Approx. 1100 g (2.43 lb.)
International Standard	EN 55032 class A, FCC part15 subpart B class A, ICES-003 class A, VCCI class A, RCM AS/NZS EN55032 class A, CNS13438 class A, EN 55035, IEC EN 63000:2018, CNS15663 ----- IEC/EN 62368-1 3rd ed., UL 62368-1 3rd ed.

All data is based on Canon standard testing methods except where indicated. Subject to change without notice.
ONVIF is a trademark of ONVIF, Inc.
Brands or product names in this document are trademarks or registered trademarks of their respective companies.

Dimensions



Connectivity



- 1 Network Interface RJ45, 100Base-TX (Auto)
- 2 Power Connection Terminal 12V DC
- 3 Audio Input 3.5 mm mono mini-jack
- 4 Audio Output 3.5 mm mono mini-jack
- 5 External Device I/O 2 x Inputs / 2 x Outputs

Keep every angle covered

VB-H47



The VB-H47 Full HD PTZ IP security camera combines a powerful 320x zoom, excellent low-light capability, WDR (Wide Dynamic Range) function and fast auto-focus. Flexible installation options for indoor use.

Sales Start Date: November, 2022

Product Details:

Product Name	Mercury Code	EAN Code
Network Camera VB-H47	5715C001AA: Titanium white	4549292202090
Network Camera VB-H47	5715C002AA: Black	4549292202106

Optional Accessories:

Product Name	Mercury Code	EAN Code
Indoor Dome Housing (DR41-C-VB)	6816B001	4960999914558
Indoor Dome Housing (DR41-S-VB)	6816B002	4960999914565
Ceiling Mount Cover (SS40-W-VB)	4962B005	4549292213157
Ceiling Mount Cover (SS40-B-VB)	4962B002	4960999688794
Pendant Mounting Kit (PC600-VB)	9918B001	4549292022551

What's in the box?

- VB-H47 Main Unit
- Power Connector
- Warranty Card
- Before Using This Camera