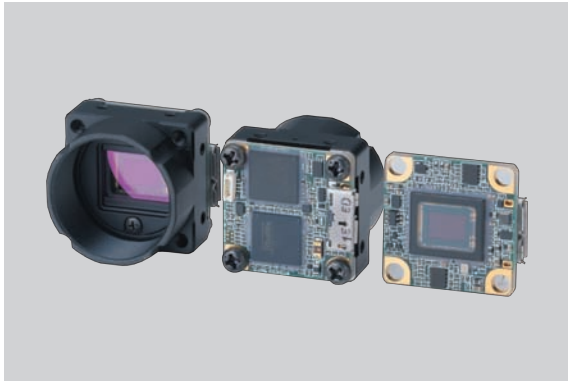


USB3.0 Small Board Camera **NEW**

USB3.0



Description

USB3 Vision Small Board Camera

Features

Small board camera that can be installed in spaces with limited depth

6.4 MP rolling shutter camera

Lens mount options: without mount, C mount, CS mount, or S mount

Product Line-up

USB3 Vision board models (with rolling shutters)								
Model	Monochrome/Color	Resolution	Frame Rate	Effective Pixels (H x V)	Sensor Size	Cell Size (μm)	Sensor	Lens Mount
STC-BBS642U3V	Monochrome	6.4M	30fps	3072 x 2048	1/1.8	2.4x2.4	IMX178	---
STC-BCS642U3V	Color							C
STC-BBS642U3V-BC	Monochrome							CS
STC-BCS642U3V-BC	Color							S
STC-BBS642U3V-BCS	Monochrome							---
STC-BCS642U3V-BCS	Color							C
STC-BBS642U3V-BL	Monochrome							---
STC-BCS642U3V-BL	Color							C
STC-BBS1242U3V*	Monochrome	12M	24fps	4000 x 3000	1/1.7	1.85x1.85	IMX226	---
STC-BCS1242U3V*	Color							C
STC-BBS1242U3V-BC*	Monochrome							---
STC-BCS1242U3V-VC*	Color							C

* Coming soon.
 Note. JST's 04SUR-32 connector or equivalent wiring harness is separately needed to use I/O signals (camera equipped with BM04B-SURS-TF (JST) equivalent connector).
 For details on pin arrangement, refer to product specification documents, available for download on our website (<https://sentech.co.jp/en/>).

Accessories

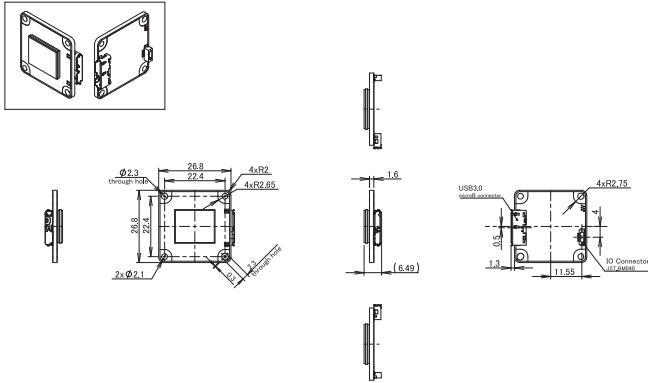
USB 3.0 Cables (USB 3.0 Micro-B, with Camera-Side Fastening Screws)		
Model	Length	Cable Type
CAB-USB3-02	2 m	Normal
CAB-USB3-03	3.5 m	
CAB-USB3-05	5 m	
CAB-USB3-07	7 m	
CAB-USB3-10	10 m	Normal high-transmission cables
CAB-USB3-02-RB	2 m	Robot cables
CAB-USB3-03-RB	3.5 m	
CAB-USB3-05-RB	5 m	
CAB-USB3-07-RB	7 m	

Note. Please make sure in advance that USB 3.0 cables operate correctly under your environment.

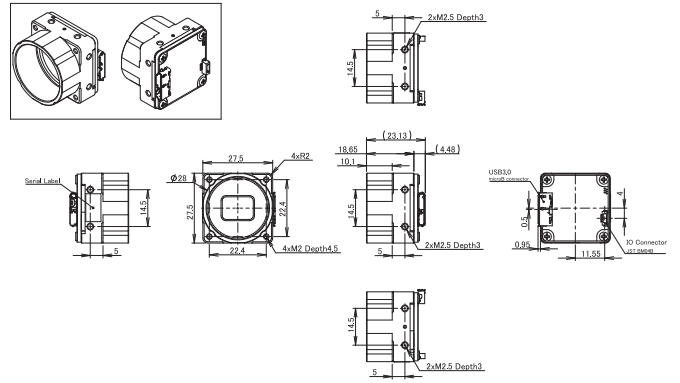
Mount Conversion Adapter	
Model	Applicable Model
CS-C-R	CS Mount Series

Drawing dimension

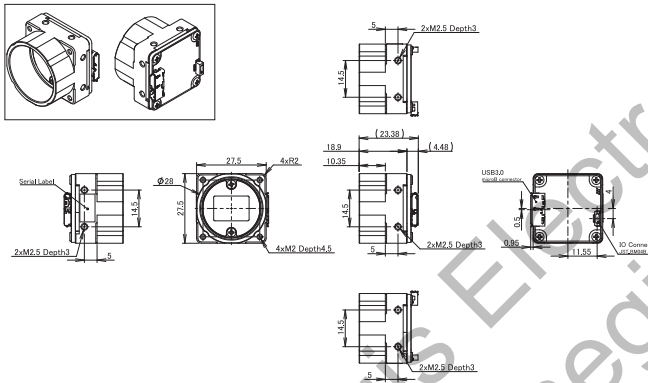
STC-BBS/BBC642U3V
STC-BBS/BCS1242U3V



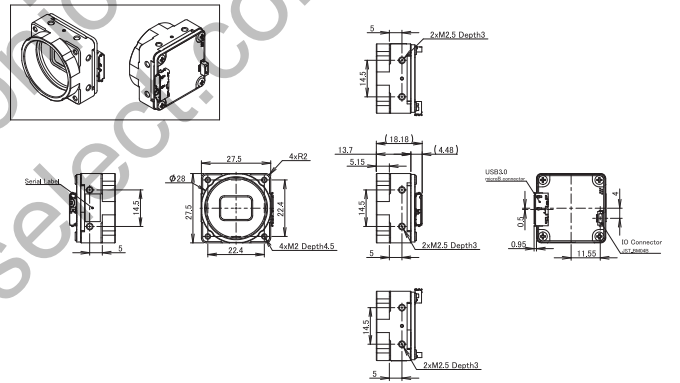
STC-BBS642U3V-BC
STC-BBS1242U3V-BC



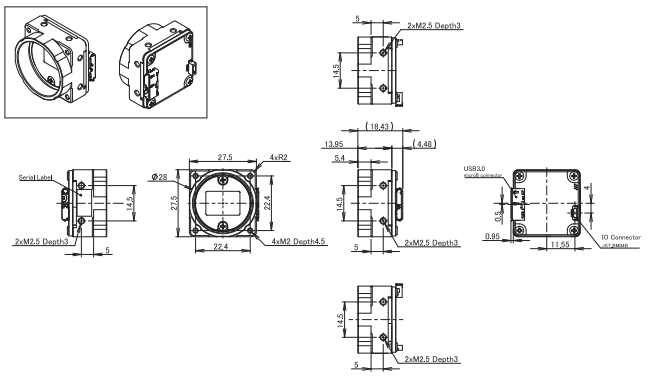
STC-BCS642U3V-BC
STC-BCS1242U3V-BC



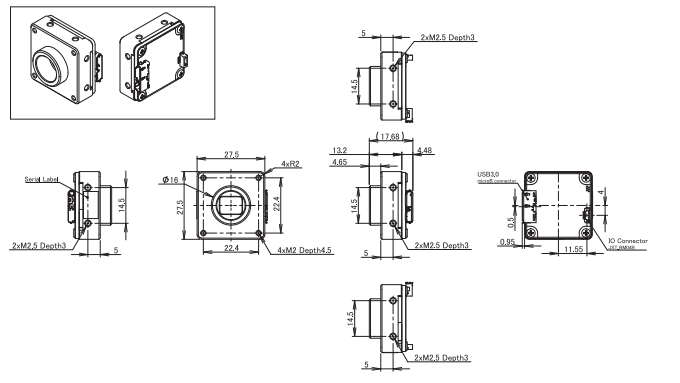
STC-BBS642U3V-BCS



STC-BCS642U3V-BCS



STC-BBS/BBC642U3V-BL



USB3.0

Aegis Electronic Group
www.aegiselect.com