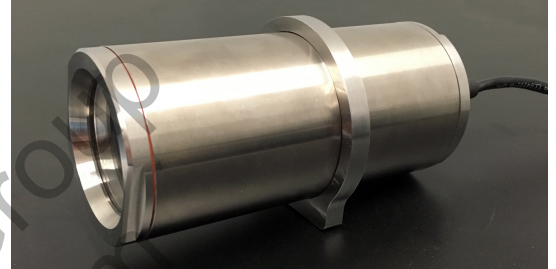


## CEI Machine Vision Camera Enclosure Stainless Series

As a leading innovator in the Machine Vision Industry, CEI is proud to introduce our new line of Machine Vision Camera Enclosures, Cables, and Accessories for demanding vision applications.

### CEI Camera Enclosure Key Features

- CEI Integrated Connector Design ( no cord grips )
- IP67 protection
- Excellent heat dissipation
- Enclosure tailored for specific Camera & Optics
- Flexible mounting options
- High quality (easy to replace) windows by MidOpt
- Round wash-down design
- All Stainless Steel construction
- Options: Mounts, Visors, Air Curtains, Windows & Filters
- Options: Cables , Custom Sizes, lengths, and focusing solutions.
- Options: Complete Solutions (Camera, Enclosure, Cabling)
- Competitive pricing
- Made in USA



### Enclosure Specs (CEI Stainless Series)

*Application:* Food and Beverage applications

*Camera:* Popular Gig-E Machine Vision Cameras

*Window:* MIDOPT 3mm Polycarbonate – AR coated

*Interface Connector:* RJ45 Male IP67 CEI MV-4 profile

*Mounting:* 1/4 - 20 UNC tapped hole x 2

*Sealing:* IP67

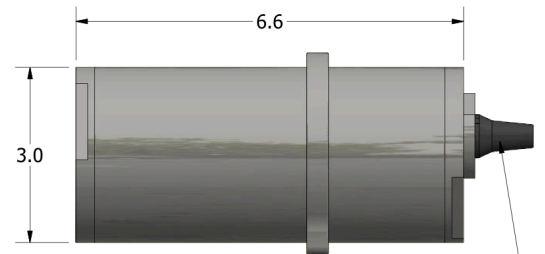
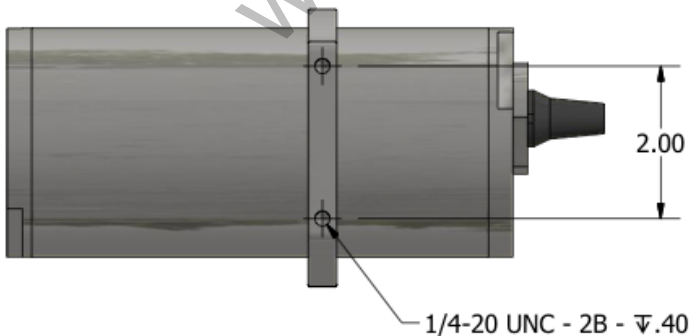
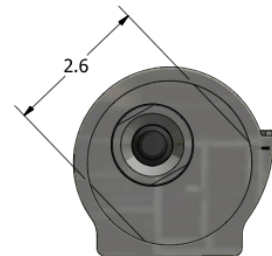
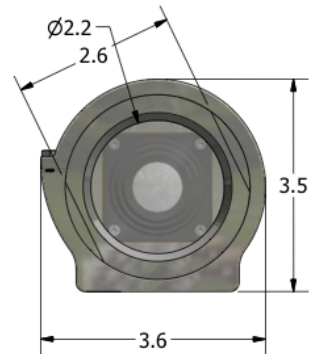
*Material:* Stainless Steel – 304 grade

*Length:* 6.6 Inches

*Diameter:* 3 Inches

*Window Diameter:* 2.2 Inches

*Weight:* 5.2 Lbs. (without camera & optics)



RJ45 Male IP67  
CEI MV-4 Profile

Stainless\_Series- Rev A