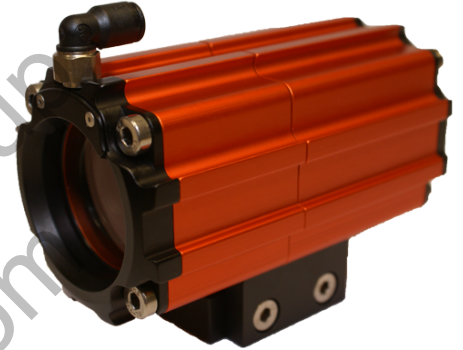


Machine Vision Camera Enclosure IP67 Nano (Extruded) Series

As a leading innovator in the Machine Vision Industry, CEI is proud to introduce our new line of Machine Vision Camera Enclosures, Cables, and Accessories for demanding vision applications.

IP67 Nano (Extruded) Series Camera Enclosure Key Features

- CEI Integrated Connector Design (no cord grips)
- IP67 protection
- Design for Dalsa Genie Nano and other popular camera models
- Excellent heat dissipation
- Allows changing and focusing Optics while mounted
- Flexible mounting options
- High quality (easy to replace) windows by Midwest Optical
- Lightweight low-profile design
- Type 2 anodizing
- Options: Mounts, Visors, Air Curtains, Windows & Filters
- Options: Custom Sizes, lengths, Cables
- Options: Complete Solutions (Camera, Enclosure, Cabling)
- Competitive pricing
- Made in USA, Patent Pending



Enclosure Specs (See Appendix "A" for part numbers)

Camera: Dalsa Genie Nano & Other Machine Vision

Optics: Supports a wide range of C-Mount optics

Window: Midwest Optical – AR coated

Interface Connector: M12 X-Code Ethernet

Optional Interface Connector: M12 12 pin male

Mounting: 2 x 1/4"-20, SLM-1 pattern with adapter

Sealing: IP67

Material: 6063 Aluminum

Coating: Type 2 anodized

Length: 133 mm (with Lens Cover and M12 connector.)

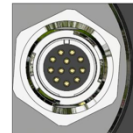
Height / Width: 66 mm square

Window Diameter: 42 mm

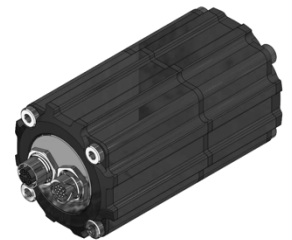
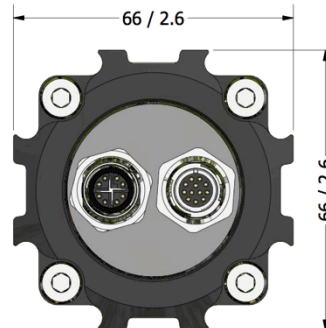
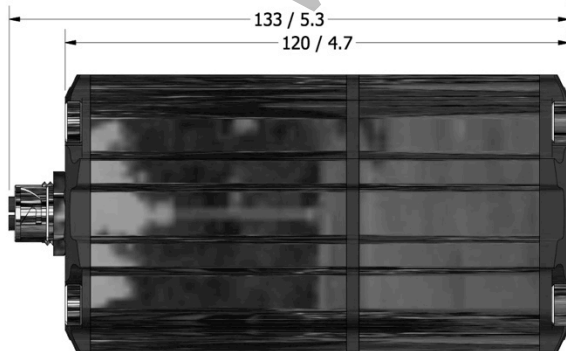
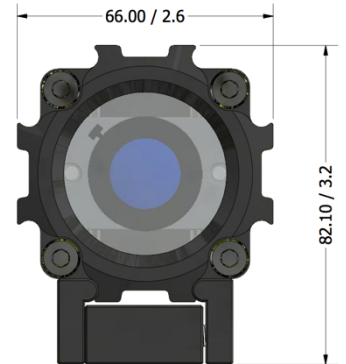
Weight: 880 g (typical weight fully assembled W/ Camera)



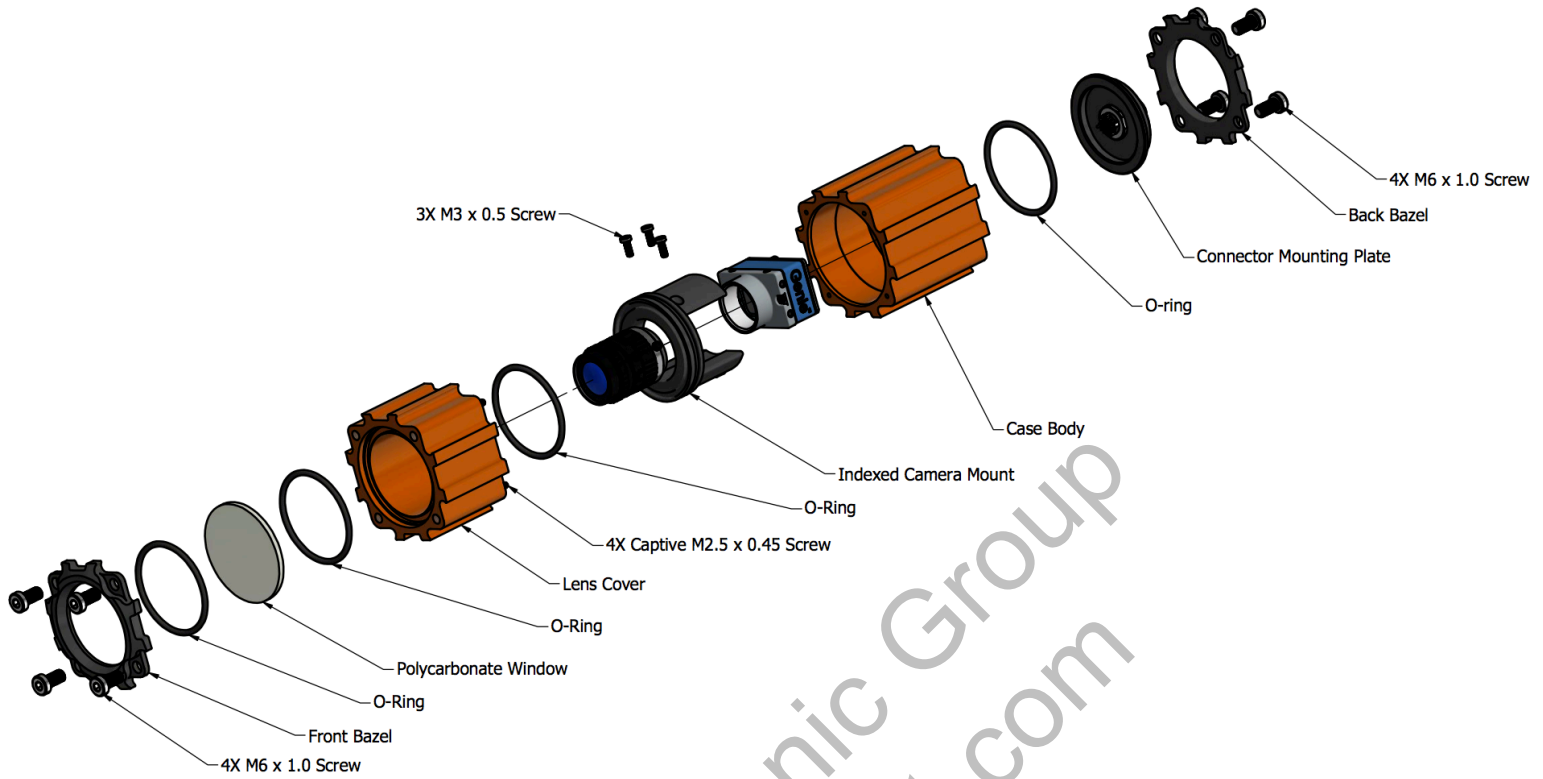
Data Connector
M12 X-Coded Female
IP67 When Mated



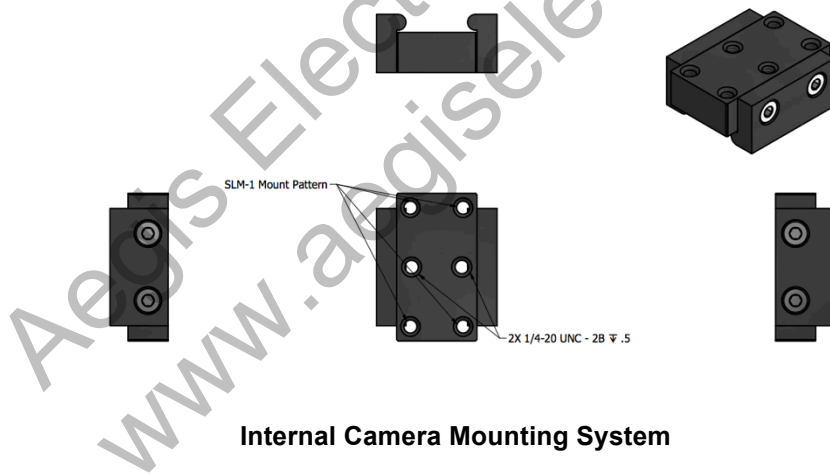
I/O Connector (Optional)
M12 12 Pin Male
IP67 When Mated



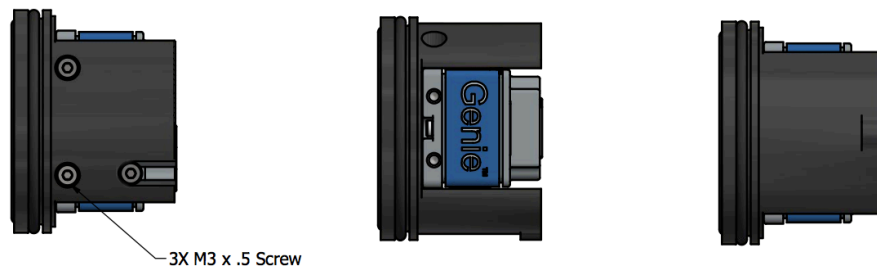
CEI IP67 Nano Series - Assembly View



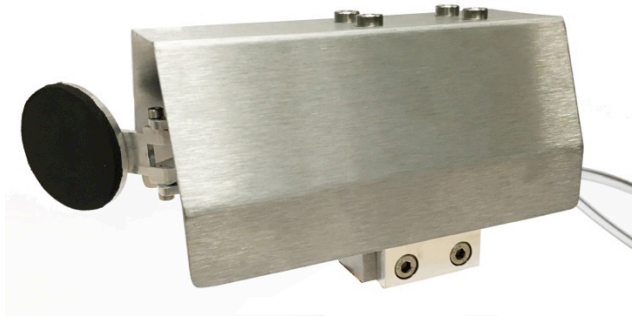
2x 1/4-20 and SLM-1 Pattern Mounting Adapter (P/N: EN-E1-M2)



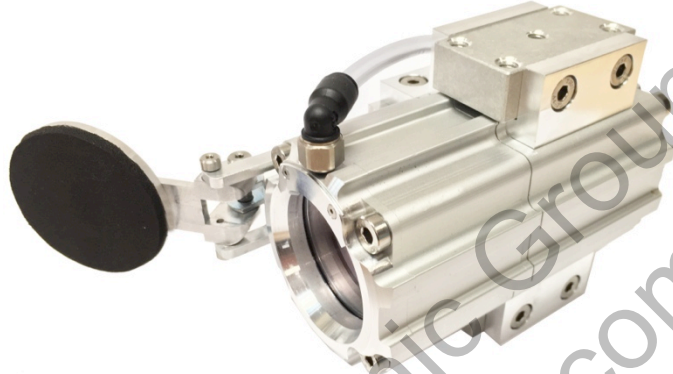
Internal Camera Mounting System



Available Options



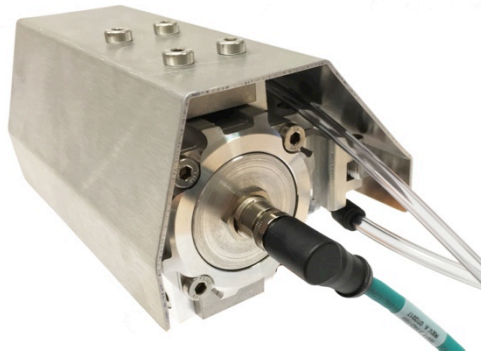
Visor / Dust Cover (P/N: EN-E1-SS)



Window Air-Curtain (P/N: EN-E1-AC)



Pneumatic Window Cover (P/N: EN-E1-PS)



Right Angle M12 X-Code Cables

Appendix "A" CEI IP67 Nano Series:

Part Number	Description
GENIE NANO ENCLOSURE ONLY - LENS COVER AND MOUNT REQUIRED	
EN-GN	GENIE NANO ENCLOSURE
EN-GNI	GENIE NANO ENCLOSURE WITH I/O
EN-E1-02	BODY STYLE 02 - FITS SENTECH MODEL STC-SCS500POE
EN-E1-01-I	BODY STYLE 01-I - FITS FLIR BLACKFLY-S - WITH IO
EN-GN TYPE LENS COVER ONLY 44MM DIA. W/ BOROSILICATE WINDOW - ENCLOSURE AND MOUNT REQUIRED	
EN-E1-LC-30	Lens cover for EN-GN enclosure, 30mm length, borosilicate window
EN-E1-LC-40	Lens cover for EN-GN enclosure, 40mm length, borosilicate window
EN-E1-LC-42	Lens cover for EN-GN enclosure, 42mm length, borosilicate window
EN-E1-LC-50	Lens cover for EN-GN enclosure, 50mm length, borosilicate window
EN-E1-LC-60	Lens cover for EN-GN enclosure, 60mm length, borosilicate window
EN-E1-LC-70	Lens cover for EN-GN enclosure, 70mm length, borosilicate window
EN-GN TYPE LENS COVER ONLY 44MM DIAMETER W/ ACRYLIC WINDOW - ENCLOSURE AND MOUNT REQUIRED	
EN-E1-LC-30A	Lens cover for EN-GN enclosure, 30mm length, acrylic window
EN-E1-LC-40A	Lens cover for EN-GN enclosure, 40mm length, acrylic window
EN-E1-LC-42A	Lens cover for EN-GN enclosure, 42mm length, acrylic window
EN-E1-LC-50A	Lens cover for EN-GN enclosure, 50mm length, acrylic window
EN-E1-LC-60A	Lens cover for EN-GN enclosure, 60mm length, acrylic window
EN-E1-LC-70A	Lens cover for EN-GN enclosure, 70mm length, acrylic window
ACCESSORIES	
EN-E1-PS	EXTRUSION 1 PNEUMATIC SHUTTER
EN-E1-AC	EXTRUSION 1 AIR CURTAIN FOR GENIE NANO
EN-E1-M1	EXTRUSION 1 MOUNT FOR 1/4 - 20 , METRIC M6 SWIVEL LINK SLM-1
EN-E1-M2	EXTRUSION 1 MOUNT FOR 1/4 - 20, METRIC M5 SWIVEL LINK SLM-1
EN-E1-SS	EXTRUSION 1 DUST COVER FOR PNEUMATIC SHUTTER 150MM W MOUNT