

CEI Machine Vision Camera Enclosure IP67 38mm Series Round

As a leading innovator in the Machine Vision Industry, CEI is proud to introduce our new line of Machine Vision Camera Enclosures, Cables, and Accessories for demanding vision applications.

IP67 38mm Series Camera Round Enclosure Key Features

- CEI Integrated Connector Design (no cord grips)
- IP67 protection
- Universal design for popular 29mm camera models
- Excellent heat dissipation
- Enclosure tailored for specific Camera & Optics
- Adjustable Mount with 4 tapped holes included
- High quality (easy to replace) windows by Midwest Optical
- Lightweight low-profile design
- Type 2 anodizing
- Options: Mounts, Air Curtains, Windows & Filters, Cables
- Options: Custom Sizes, lengths, and focusing solutions.
- Competitive pricing
- Made in USA, Patent Pending

Enclosure Specs (See Appendix "A" for part numbers)

Camera Size: 29mm square mount machine vision

Optics: Supports a wide range of C-Mount optics

Window: Midwest Optical 2mm AR coated

Borofloat glass or Acrylic

Lens Covers: Available in 38mm, 44mm, 55mm, 60mm diameters

Lengths in 10mm increments

Interface Connectors: M12 X-Code Ethernet Female

Optional Interfaces: M12 A-Code I/O Male, Cord Grip

Mounting: Qty. 2, M6 and Qty. 2 1/4-20 UNC tapped holes with
19.05mm (3/4") hole spacing,
Adjustable ring mount

Sealing: IP67

Material: 6061 Aluminum

Coating: Type 2 anodized

Overall Length (L): Varies, See Appendix "A"

Body Length (B): 90 mm (incl. interface conn.)

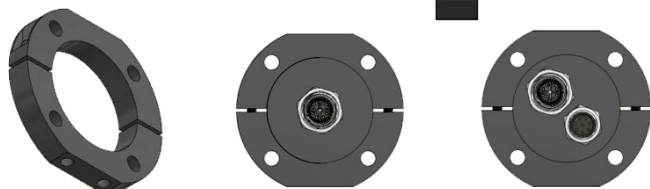
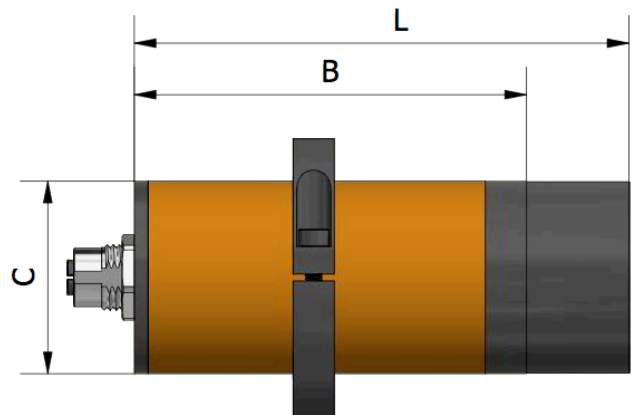
Height / Width (C): 44.5 mm round (body)

Mount diameter: 69 mm

Window Diameter: 42 mm (48mm with 44mm cover)

Weight: 370g (typical weight fully assembled
W/ Camera)

Contact CEI for Application and Configuration
Details.



Appendix “A” CEI IP67 38mm Series Camera Round Enclosure Part numbers:

PART NUMBER	ENCLOSURE BODY, END CAP, AND ROUND MOUNT
EN-38R-A0-82	38mm x 82mm long enclosure, M12 x-code, no I/O, Fits up to 29mm x 29mm cameras
EN-38R-A1-82	38mm x 82mm long enclosure, M12 x-code, with I/O, Fits up to 29mm x 29mm cameras
EN-38R-E0-82	38mm x 82mm long enclosure, Cord Grip .19 - .25 diameter cable fits RJ45, no I/O
EN-38R-A0-98	38mm x 98mm long enclosure, M12 x-code, no I/O, Fits up to 29mm x 29mm cameras
EN-38R-A1-98	38mm x 98mm long enclosure, M12 x-code, with I/O, Fits up to 29mm x 29mm cameras
EN-38R-E0-98	38mm x 98mm long enclosure, Cord Grip .19 - .25 diameter cable fits USB3 Micro-B, no I/O

PART NUMBER	FRONT BEZEL DIAMETER TO MATCH LENS CAP
EN-38R-FB38-A	Front bezel for 38mm round enclosure, for 38mm diameter lens caps, Type A style cameras
EN-38R-FB38-B	Front bezel for 38mm round enclosure, for 38mm diameter lens caps, Type B style cameras
EN-38R-FB44-A	Front bezel for 38mm round enclosure, for 44mm diameter lens caps, Type A style cameras
EN-38R-FB44-B	Front bezel for 38mm round enclosure, for 44mm diameter lens caps, Type B style cameras
EN-38R-FB55-A	Front bezel for 38mm round enclosure, for 55mm diameter lens caps, Type A style cameras
EN-38R-FB55-B	Front bezel for 38mm round enclosure, for 55mm diameter lens caps, Type B style Cameras
EN-38R-FB60-A	Front bezel for 38mm round enclosure, for 60mm diameter lens caps, Type A style cameras
EN-38R-FB60-B	Front bezel for 38mm round enclosure, for 60mm diameter lens caps, Type B style cameras

PART NUMBER	LENS CAPS ONLY 38MM DIAMETER - ENCLOSURE AND FRONT BEZEL REQUIRED
EN-LC38-30	Lens cover for 38mm bezel, 30mm length, borosilicate window
EN-LC38-40	Lens cover for 38mm bezel, 40mm length, borosilicate window
EN-LC38-50	Lens cover for 38mm bezel, 50mm length, borosilicate window
EN-LC38-60	Lens cover for 38mm bezel, 60mm length, borosilicate window
EN-LC38-70	Lens cover for 38mm bezel, 70mm length, borosilicate window
EN-LC38-80	Lens cover for 38mm bezel, 80mm length, borosilicate window

PART NUMBER	LENS CAPS ONLY 44MM DIAMETER - ENCLOSURE AND FRONT BEZEL REQUIRED
EN-LC44-30	Lens cover for 44mm bezel, 30mm length, borosilicate window
EN-LC44-40	Lens cover for 44mm bezel, 40mm length, borosilicate window
EN-LC44-50	Lens cover for 44mm bezel, 50mm length, borosilicate window
EN-LC44-60	Lens cover for 44mm bezel, 60mm length, borosilicate window
EN-LC44-70	Lens cover for 44mm bezel, 70mm length, borosilicate window
EN-LC44-75	Lens cover for 44mm bezel, 75mm length, borosilicate window
EN-LC44-80	Lens cover for 44mm bezel, 80mm length, borosilicate window
EN-LC44-90	Lens cover for 44mm bezel, 90mm length, borosilicate window
EN-LC44-100	Lens cover for 44mm bezel, 100mm length, borosilicate window
EN-LC44-110	Lens cover for 44mm bezel, 110mm length, borosilicate window
EN-LC44-140	Lens cover for 44mm bezel, 140mm length, borosilicate window

Appendix “A” CEI IP67 38mm Series Camera Round Enclosure Part numbers (Continued):

PART NUMBER	LENS CAP ONLY 55MM DIAMETER W/ BOROSILICATE GLASS WINDOW - ENCLOSURE AND FRONT BEZEL REQUIRED
EN-LC55-30	Lens cover for 55mm bezel, 30mm length, borosilicate window
EN-LC55-40	Lens cover for 55mm bezel, 40mm length, borosilicate window
EN-LC55-50	Lens cover for 55mm bezel, 50mm length, borosilicate window
EN-LC55-60	Lens cover for 55mm bezel, 60mm length, borosilicate window
EN-LC55-70	Lens cover for 55mm bezel, 70mm length, borosilicate window
EN-LC55-80	Lens cover for 55mm bezel, 80mm length, borosilicate window

PART NUMBER	LENS CAP ONLY 55MM DIAMETER W/ ACRYLIC WINDOW - ENCLOSURE AND FRONT BEZEL REQUIRED
EN-LC55-30A	Lens cover for 55mm bezel, 30mm length, acrylic window
EN-LC55-40A	Lens cover for 55mm bezel, 40mm length, acrylic window
EN-LC55-50A	Lens cover for 55mm bezel, 50mm length, acrylic window
EN-LC55-60A	Lens cover for 55mm bezel, 60mm length, acrylic window
EN-LC55-70A	Lens cover for 55mm bezel, 70mm length, acrylic window
EN-LC55-80A	Lens cover for 55mm bezel, 80mm length, acrylic window

PART NUMBER	LENS CAP ONLY 60MM DIAMETER - ENCLOSURE AND FRONT BEZEL REQUIRED
EN-LC60-30	Lens cover for 60mm bezel, 30mm length, borosilicate window
EN-LC60-40	Lens cover for 60mm bezel, 40mm length, borosilicate window
EN-LC60-50	Lens cover for 60mm bezel, 50mm length, borosilicate window
EN-LC60-60	Lens cover for 60mm bezel, 60mm length, borosilicate window
EN-LC60-70	Lens cover for 60mm bezel, 70mm length, borosilicate window
EN-LC60-80	Lens cover for 60mm bezel, 80mm length, borosilicate window
EN-LC60-90	Lens cover for 60mm bezel, 90mm length, borosilicate window

PART NUMBER	LIGHT BRACKET FOR 38MM ROUND ENCLOSURES (W/ 38MM LENS COVER ONLY)
EN-LB38R-38-A	Light bracket for 38mm round enclosure with 38mm lens cap, small light mounting plate
EN-LB38R-38-B	Light bracket for 38mm round enclosure with 38mm lens cap, large light mounting plate
EN-LB38R-38-C	Swivel Light bracket for 38mm round enclosure with 38mm lens cap, small light mounting plate

PART NUMBER	CUSTOM MOUNTS
EN-M4	4 AXIS MOUNT
EN-38R-MR	Mount ring for 38mm round enclosure

