



VL6Z1626UC-MPYIR

**6X 16mm -96mm F2.6 Day & Night
 for 1.1 type 12 Megapixel Cameras, Motorized Control Vari-focal
 USB interface, C-Mount**

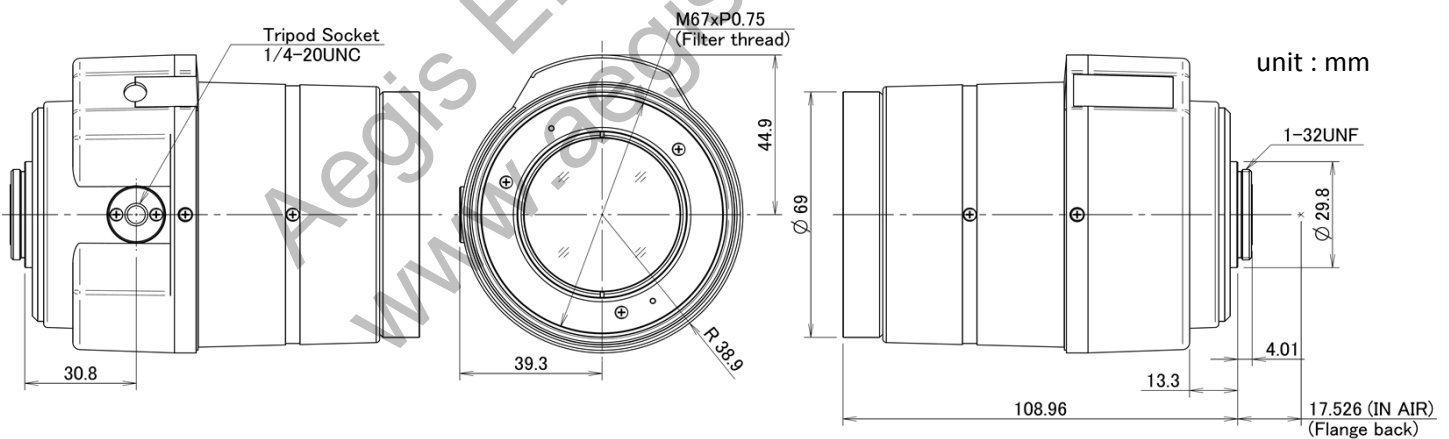
Optical Specifications

Model No.		VL6Z1626UC-MPYIR		Min. Objective Distance		3m from front of lens	
Focal Length		16mm - 96mm		Effective Lens Aperture		Front:φ43.0mm Rear:φ15.4mm	
F-Number	Wide	F2.6 - F16C		Back Focal Length	Wide	13.9mm (in Air)	
	Tele	F2.7 - F16C			Tele	13.9mm (in Air)	
Max. Image Format		14.2mm x 10.4mm (φ17.6mm)		Flange Back Length		17.526mm (In Air)	
Angle of View	Diagonal	1.1 type	58.9° ~ 10.4°	1 type	54.1° ~ 9.5°	2/3 type	37.8° ~ 6.7°
	Horizontal	14.2mm x 10.4mm	48.1° ~ 8.5°	14.2mm x 7.5mm	48.1° ~ 8.5°	8.8mm x 6.6mm	30.3° ~ 5.4°
	Vertical	(φ17.6mm)	35.6° ~ 6.3°	(φ16.0mm)	25.7° ~ 4.5°	(φ11.0mm)	22.8° ~ 4.0°

Mechanical & Electrical Specifications

Control Interface		USB2.0		Dimensions		As per the attached drawing	
Power mode		Bus power (500mA)		Mount		C-mount	
Connector		USB TypeA		Weight		330g	
Operating Temperature		-20°C - +60°C		Tripod Screw		1/4-20UNC	
Control	Iris	Motorized		Filter thread		M67xP0.75	
	Focus	Motorized					
	Zoom	Motorized					

Dimensions



Length of Wire

300±20 (mm)

This specification is subject to change without any notice.

2021.12