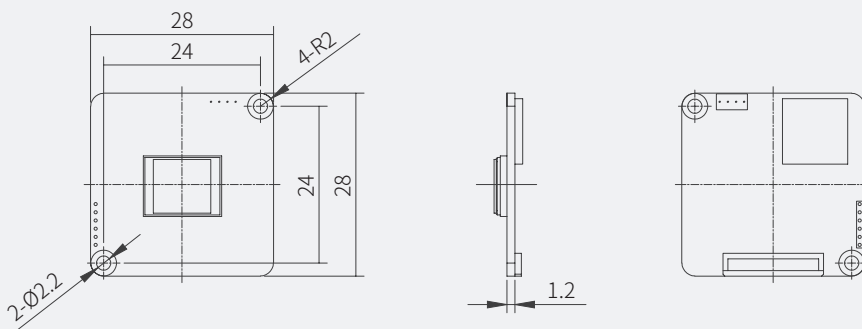
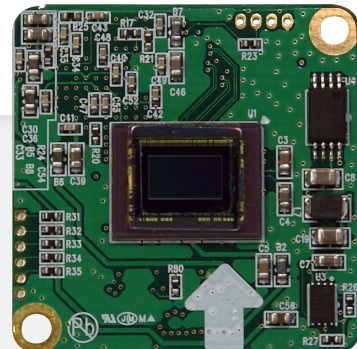


Camera Module

ATC-PS2802

- 1/2.8" SONY EXMOR R Progressive Scan CMOS
- 1080p 60(50fps)
- True WDR
- 3D DNR, Defog
- Camera Control Interface(I2C)

Aegis Electronic Group
www.aegiselect.com



Camera Module

ATC-PS2802

Specifications

Image Sensor	1/2.8" Exmor R Progressive Scan CMOS	ACE	Off/Low/Middle/High
Effective Pixels	2.13MP 1945(H) x 1097(V)	WDR	0~4
Video Output mode	Parallel 16bit(Y/Cb/Cr 4:2:2)	BLC	Off/0~10, Area selectable
Video Resolution	1920x1080(Full HD), 1280x720	HLC	Off/0~20, Color selectable
Synchronization system	Internal	AGC	Max.42dB
Min.Illumination	0.2Lux(F1.6)	Sharpness	Adjustable(0~10)
D&N Mode	AUTO/COLOR/BW	DNR	Off/Low/Middle/High
Dynamic Range	OFF/BLC/HLC/WDR	Defog	Off/Low/Middle/High/AUTO
White Balance	AUTO/PUSH/Manual	Language	English,Japanese,Chinese
Exposure Control	Shutter mode	Auto/Manual/Flicker	
	Brightness	0~20	
	Manual Shutter	1/30(25), 1/60(50)~1/30000	
	Sense-up	Off~32fields	
Digital Slow shutter	Max.x32		
Digital Zoom	Max.x16		
Image Freeze	Off/On		
Image Flip	Off/Horizontal/Vertical/H+V(180° Flip)		
Privacy Mask zone	16 Zones/14 mask color selectable, semi-transparency		
Digital Image Stabilizer	Yes		
Motion Detection	4 Zones		
Communication(Interface)			
Camera Control	I2C, UART	Remote	RS232 TTL +3.3V
UART	Protocol	Pelco-D, Visca	
	Baudrate	2400/4800/9600/19200/38400/57600/115200bps	
Power			
Supply Volatage	3.3±0.1,1.8±0.1,1.2-0.05/+0.1 VDC		
Power Consumption	3.3V : Max. 200mA / 1.8V : Max 55mA / 1.2V : Max 460mA		
Physical and Temperature			
Dimension(mm)	28mm X 28mm		
Weight	Approx.3.6g		
Operating Temperature	-10°C~+50°C, Humidity(20~95%)		
Storage Temperature	-20°C~+60°C, Humidity(20~80%)		