

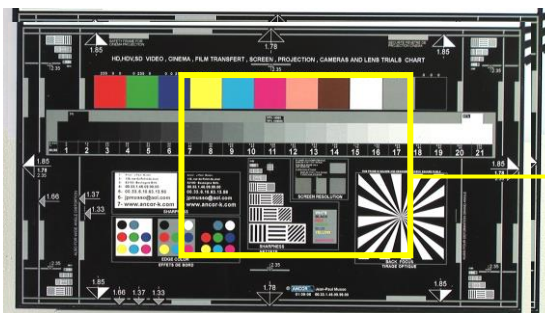
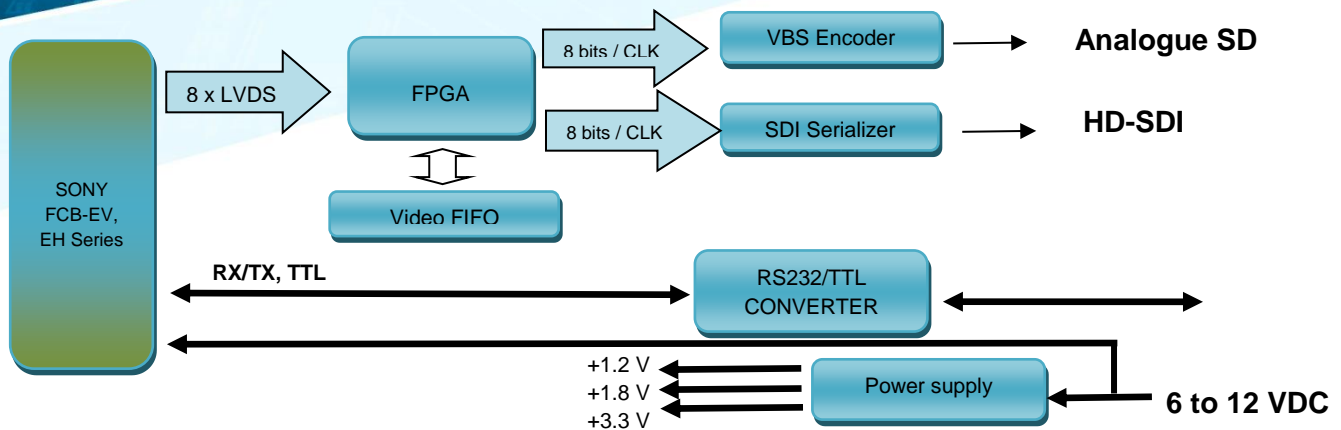
# Dual HD-SDI & Analogue SD

FOR SONY FCB-EV & EH Series

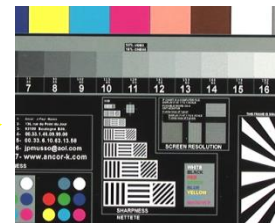


- HD-SDI digital and analog SD video output
- Support up to 1080p50/60 resolution
- Output **simultaneously** HD-SDI & Analogue NTSC/PAL
- TTL or RS232 VISCA dialog level.
- 6 to 12 VDC protected power supply

## Block diagram



Simultaneous Analog Video Output specification



Cropped NTSC/PAL video  
(Central ROI of HD picture)

## TARGET APPLICATIONS



UAV'S / ROV'S / Inspection / Traffic control / ANPR / Medical / sport / entertainment

# Onboard Connectors



**J1 Sony LVDS Camera Input**

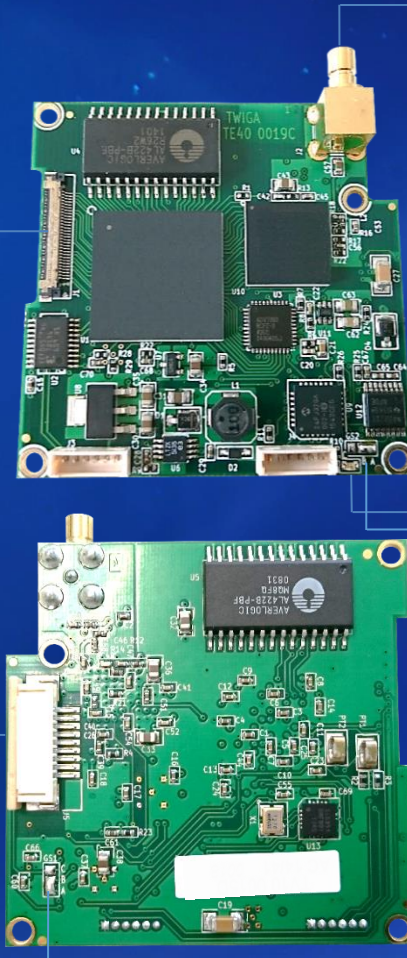
**J2 HD-SDI output**

**COM + Power IN + Analogue Output**

LED blink	Status
1	Initialization OK
2	FPGA loading OK
3	FPGA clock OK
4	VBS coder OK

TTL / RS232 Dialog level	
B + A Bridge soldering	RS232 level
B + C Bridge soldering	TTL level

1	RxD (camera Input TTL or RS232)
2	TxD (Camera output TTL or RS232)
3	0V-GND
4	+V
5	0V-GND
6	VBS
7	0V-GND
8	NC
9	NC



Functions	Specifications
Digital video output (SD-SDI-SIM-EH-EV)	SMTPE 424M up to 1080p50/60
Digital video output (SDI-EV-AS)	SMTPE 292M up to 1080p25/30
Analogue video output	<b>NTSC</b> when the HD configuration is 1080p30 or 1080p60
Analogue video output	<b>PAL</b> when the HD configuration is 1080p25 or 1080p50
Camera setting	VISCA – Default : RS232 Level – Option TTL level
Sync system	Internal
Power supply	6 to 12 VDC, 5 W (including camera)
Operating temperature range	0°C to 60°C
Storage temperature range	-20°C to 60°C
Dimensions (mm)	50 (H) x 50 (W) x 10 (D)

**HD-SDI & Analogue SD interface set for Sony FCB-EV & EH Series**

P/N	SD-SDI-SIM-EH-EV	SDI-EV-AS
<b>Content</b>		
HD-SDI & Analogue interface board	✓	
HD-SDI & Analogue interface board		✓
30 way USL20-30SS-012-C Cable assembly	✓	✓
9 way FFC ribbon, 100 mm long	✓	✓