

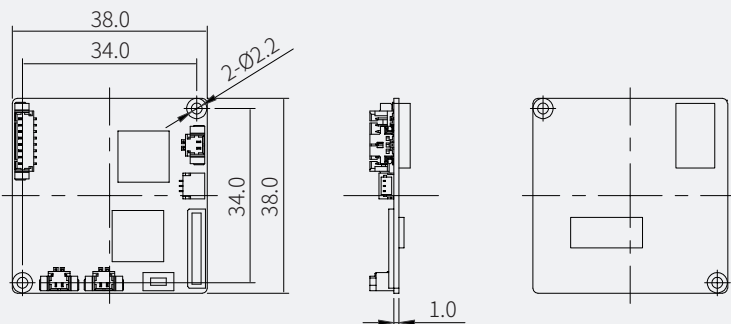
# IP ENCODER MODULE

# ACE-HEN6338-iL

- Low Voltage LVDS Input
- 1080p(1920x1080)@30(25)fps
- H.264 Main/Baseline Profiles
- 12VDC / PoE



## Dimensions



IP ENCODER MODULE  
**ACE-HEN6338-iL**

## Specifications

<b>Video Output</b>	Network	
<b>Motion Detection</b>	60x34 Motion Block, upto 4 Zones	
<b>Privacy Masking Zone</b>	16 Zones	
	Alarm In/Out	1Ch Out
<b>Alarm</b>	Alarm riggers	Motion
	Alarm Events	Network
<b>Ethernet</b>	10/100 Base-T Ethernet	
<b>Video Compression Format</b>	H.264 Baseline, Main Profile, MJPEG	
<b>Video Resolution</b>	1920x1080, 1280x720,, 800x600, 704x480, 704x400, 640x480, 640x360, 320x240	
<b>Max. Frame Rate</b>	First : 1080p 30(25)fps (H.264) Second : 640x360 30(25)fps (H.264) Third : 1080p 30(25)fps (MJPEG)	
<b>Streaming Capability</b>	Multiple Streaming(Up to 3 Profiles)	
<b>Streaming Method</b>	Unicast	
<b>Bitrate Control</b>	H.264 : CBR, VBR, CVBR	
<b>Max.User Access</b>	5	
<b>Audio</b>	Audio in/Out	Mic In (Conn.), Additional Audio In/Out (selectable)
	Compression Format	G.711
<b>IP</b>	IPv4	
<b>Protocol</b>	HTTP, HTTPS, UPnP, DNS, DDNS, RTP/RTSP, TCP/IP, UDP, DHCP, RARP, NTP, Visca over IP (HTTP)	
<b>Security</b>	-	
<b>Web Viewer</b>	Web browser	Internet Explorer, Edge, Safari, Firefox, Chrome
	Language	English
<b>External Storage</b>	-	
<b>SW Integration API</b>	Onvif, KT&C API	
<b>Ingress Protection Grade</b>	-	
<b>Dimension(mm)</b>	38X38mm	
<b>Weight</b>	Approx.7.65g	
<b>Operating Temperature</b>	-10°C~+50°C	
<b>Storage Temperature</b>	-20°C~+60°C	
<b>Supply Voltage</b>	12VDC(±10%)	
<b>Power Consumption</b>	N/A (under 170mA estimated)	