

Ultra-Compact Camera module MP3010M-EV

Next Generation of well accepted MP1010/MP1110 series

- 10x optical zoom lens
- 1080/60p



Key Features

■ Compatible design with MP1010/MP1110 series

- ☑ Almost same size as existing models
- ☑ Keep same mounting screw holes/holes position as current models
- ☑ Industry's smallest class 10x optical zoom lens
- ☑ LVDS output (built-in 30pin connector, keep current pin assignment)
- ☑ VISCA protocol ※1

■ Enhanced Features

- ☑ High Sensitivity (utilize High sensitivity image sensor)
- ☑ Day/Night function (ICR) for outdoor surveillance
- ☑ LVDS/HDMI video output
- ☑ Firmware update via USB
- ☑ Enhanced EIS (Electric Image Stabilizer)
- ☑ Support NDAA (Japanese ISP)

※1: VISCA is a trademark of SONY Corporation.

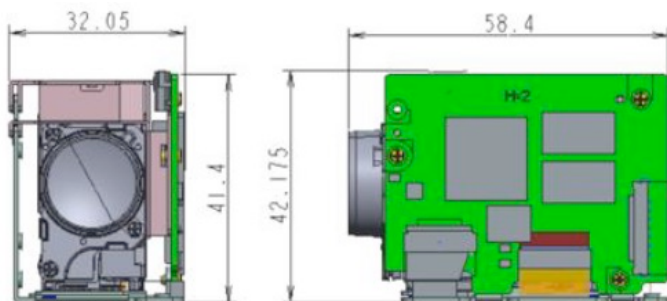
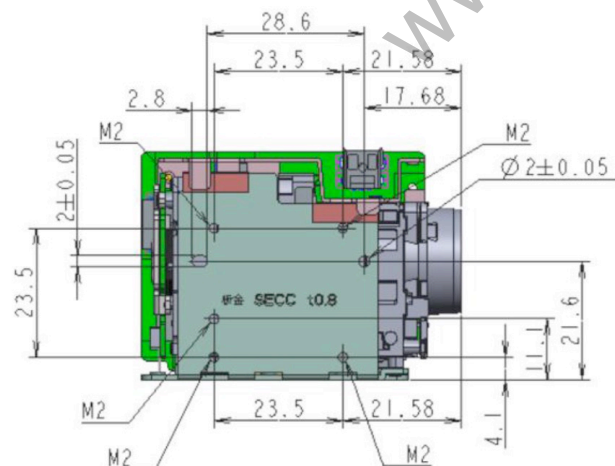
The operation and response to the VISCA command may differ from the conventional models.

※2: This model is still under the development process and the specifications are subject to change without notice

MP3010M-EV Provisional Specifications

| MP3010M | | MP3010M | |
|-------------------------|-----------------------------------------------------------------------------------------------------------------------------------------------------------------------|----------------------------------|------------------------------------------------------------------------------|
| Image sensor | CMOS | Lens | 10x optical zoom f=3.2~33.6mm Fw/1.8~Ft/3.4 (ICR type) |
| Pixel output(HxV) | 1920x1080 or 1280x720 | Digital zoom | 16x |
| Signal system HD | 1080p/60, 1080p/59.94 1080p/50,1080p/30, 1080p/29.97,1080p/25, 720p/60, 720p/59.94, 720p/50, 720p/30, 720p/29.97, 720p/25 (interlace not supported) | Focus | Auto/Manual/One-push AF sensitivity |
| Signal system Analog | NTSC/PAL | Minimum object Distance (MOD) | 10mm(w)~800mm(t) |
| Sensitivity | 0.1 lx (1/30sec,F/1.8,50%, color) TBD : B&W | H Field of View | 59.2° (w)~6.7° (t) |
| S/N | More than 50dB | Day/Night | ON/OFF (ICR switching) |
| Gain | Auto/Manual | Horizontal Resolution | More than 800TV lines (center) |
| Shutter speed | 1/1~1/10,000 sec | Video output HD | LVDS : digital Y/Pb/Pr 4:2:2 HDMI : digital Y/Pb/Pr 4:2:2 (micro HDMI) |
| Sync system | Internal | Video output SD | CVBS 1.0V(p-p) |
| Back light comp | ON/OFF | Camera control | VISCA *VISCA is trademark of SONY |
| White balance | AWB/INDOOR/OUTDOOR One-push, Manual 1600K~10000K | Power supply | 8-12V, DC |
| | | Operating Temperature | -5°C~+60°C |

【 Dimensions 】 unit :mm



*specifications subject to change without notice