



# GigE Vision Camera Board-Level Models

Board-level models are now included in the GigE Vision camera series.

C-mount board-level models are available.

Please contact us if you would like to customize any models, including S-mount models and remote head models.

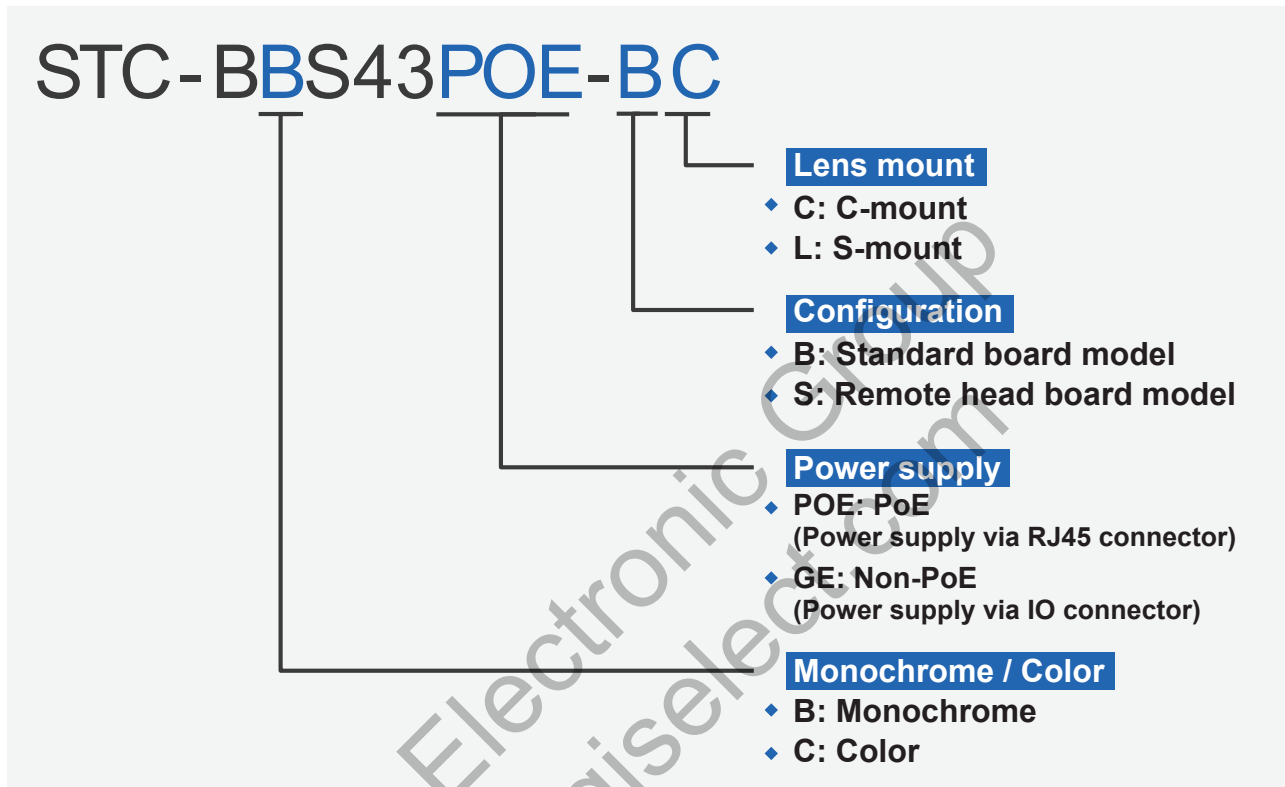


- Available from 0.4M to 20M
- Supported GigE Vision 2.1
- Easy to install into limited space
- Contact us for customize models  
(Lens mount and remote head model)

# Selectable configuration for application

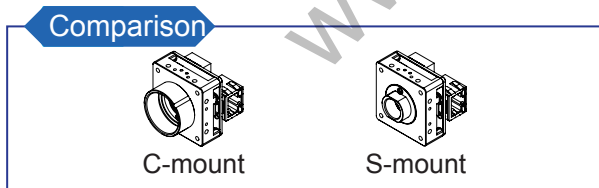
## Model No.

Many configurations are available. Please contact our sales representative with requiring configuration.



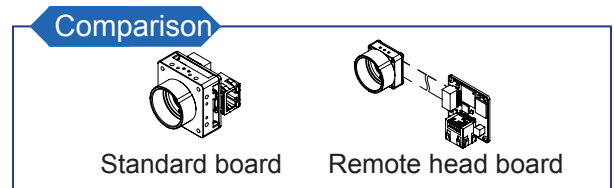
## Lens mount

C-mount and S-mount models are available.  
 \* Please contact us for S-mount models.  
 \* S-mount model not available for 5M, 12M and 12M.



## Configuration

Standard and remote head board models are available.  
 \* Please contact us for remote head board models.



## Monochrome / Color

Monochrome and color models are available.

## Power supply

PoE and external power supply models are available.  
 PoE: Power supply via RJ45 connector  
 \* It is necessary to use with PoE supported NIC or switching hub.  
 GE: Power supply via IO connector  
 \* It is necessary to use with IO cable.

# Dimensions

Please check camera specifications or contact our sales representatives for more details.

## C-mount standard board models

Models

- STC-BBS□□POE-BC
- STC-BCS□□POE-BC
- STC-BBS□□GE-BC
- STC-BCS□□GE-BC

Monochrome (BES) 1141  
Color (BCS) 1141

## S-mount standard board models

Models

- STC-BBS□□POE-BL
- STC-BCS□□POE-BL
- STC-BBS□□GE-BL
- STC-BCS□□GE-BL

Monochrome (BES) 618  
Color (BCS) 618

## C-mount remote head board models

Models

- STC-BBS□□POE-SC
- STC-BCS□□POE-SC
- STC-BBS□□GE-SC
- STC-BCS□□GE-SC

Monochrome (BES) 1141  
Color (BCS) 1141

## S-mount remote head board models

Models

- STC-BBS□□POE-SL
- STC-BCS□□POE-SL
- STC-BBS□□GE-SL
- STC-BCS□□GE-SL

Monochrome (BES) 618  
Color (BCS) 618

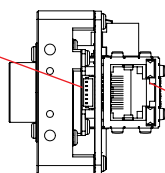


## Model No. List

Model No.	Resolution	Color / Monochrome	Frame rate	Effective pixels	Sensor size	Lens mount	Image sensor	Notes
STC- BBS43POE-BC	0.4M	Monochrome	282.8fps	720x540	1/2.9"	C mount	IMX287	Support POE, Global shutter
STC- BCS43POE-BC		Color						
STC- BBS163POE-BC	1.6M	Monochrome	70.7 fps	1400x1088	1/2.9"	C mount	IMX273	Support POE, Global shutter
STC- BCS163POE-BC		Color						
STC- BBS202POE-BC	2M	Monochrome	54.6 fps	1624 x1240	1/1.7"	C mount	IMX430	Support POE, Global shutter
STC- BCS202POE-BC		Color						
STC- BBS312POE-BC	3.2M	Monochrome	34.9 fps	2048 x1536	1/1.8"	C mount	IMX265	Support POE, Global shutter
STC- BCS312POE-BC		Color						
STC- BBS500POE-BC	5M	Monochrome	21.9 fps	2448x2048	2/3"	C mount	IMX264	Support POE, Global shutter
STC- BCS500POE-BC		Color						
STC- BBS213POE-BC	2.1M	Monochrome	53.0 fps	1920 x1080	1/2.8"	C mount	IMX291	Support POE, Rolling shutter
STC- BCS213POE-BC		Color						
STC- BCS213POE-BC-NIR		Color NIR					IMX462	
STC- BBS1242POE-BC	12M	Monochrome	9.2fps	4000 x3000	1/1.7"	C mount	IMX226	Support POE, Rolling shutter
STC- BCS1242POE-BC		Color						
STC- BBS2041POE-BC	20.4M	Monochrome	5.5fps	5472 x3648	1/2"	C mount	IMX183	Support POE, Rolling shutter
STC- BCS2041POE-BC		Color						

## IO connector (External power / IO signals)

IO connector



RJ45 connector

\* For GE models (non-POE), IO connector is Power/IO connector.

\* It is necessary to prepare connector that attached to IO connector. connector for wireharness: SHR-06V (JST) (SM06-RSS (JST) on camera)

### POE Models

No.	Signal Name	IN/OUT	Voltage
1	N/A	-	
2	Opt-isolated in (Line0)	IN	Low: smaller than +1.0 V High: +3.0 to +26.4 V * Potential difference between "Opto-isolated in" and "Signal GND"
3	Opt-isolated out (Line1)	OUT	+3.0 to +26.4 V / Open Collector
4	Opt-isolated out (Line2)	OUT	+3.0 to +26.4 V / Open Collector
5	Opt-isolated out (Line3)	OUT	+3.0 to +26.4 V / Open Collector
6	Signal GND	IN	0 V

### GE Models (Non-POE)

No.	Signal Name	IN/OUT	Voltage
1	Power in	IN	+10.8 to +26.4 Vdc
2	Opt-isolated in (Line0)	IN	Low: smaller than +1.0 V High: +3.0 to +26.4 V * Potential difference between "Opto-isolated in" and "Signal GND"
3	Opt-isolated out (Line1)	OUT	+3.0 to +26.4 V / Open Collector
4	Opt-isolated out (Line2)	OUT	+3.0 to +26.4 V / Open Collector
5	Opt-isolated out (Line3)	OUT	+3.0 to +26.4 V / Open Collector
6	Signal GND / Power GND	IN	0 V

## Accessories

### Screw-fastened GigE Cables

Model No.	Notes
FJ-VSG 3M	3m, screw-fastened at camera side, Robot cable
FJ-VSG 5M	5m, screw-fastened at camera side, Robot cable
FJ-VSG 10M	10m, screw-fastened at camera side, Robot cable
FJ-VSG 20M	20m, screw-fastened at camera side, Robot cable
FJ-VSG 40M	40m, screw-fastened at camera side, Robot cable

\* Accessories are saling separately.

\* GigE Vision is trademark of AIA (Automated Imaging Association).

\* Other company names and product names in this document are trademark of their respective owners.

Distributor