

This information is brought to you by:



**ELECTRONIC GROUP, INC**  
480-635-8400 p \* aegis-g2@aegiselect.com  
<http://www.aegis-elec.com>

# Technical Catalogue

Global Shutter

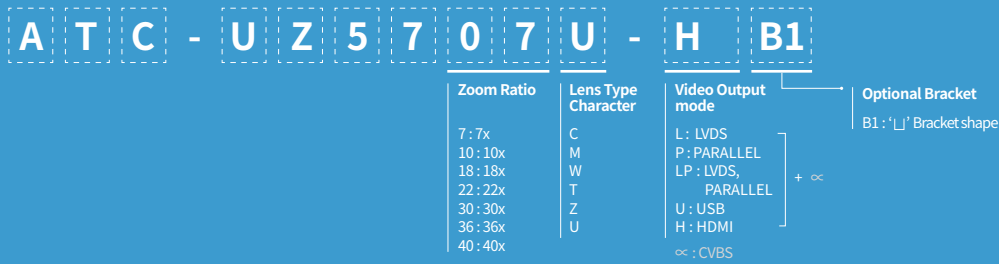


## Global Shutter Series

Optical Auto Focus Zoom Cameras



### Model naming



### Global Shutter 4K Series

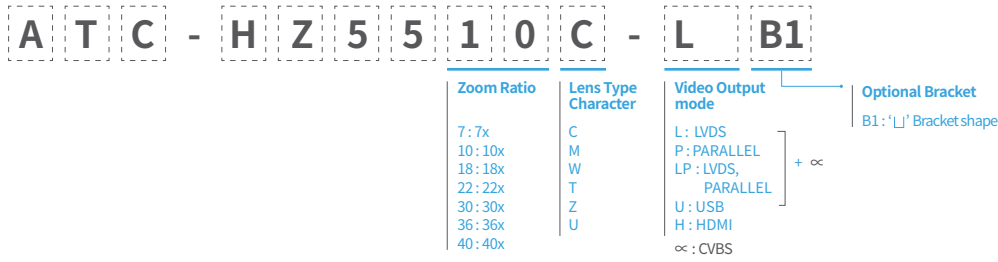
Model Name		ATC-UZ5707U-H	ATC-UZ5722U-H
Shutter system			
Optical Zoom Ratio		7x	22x
Image Sensor		1/1" CMOS	
Video Output Mode	EX-SDI	X	X
	HD-SDI	X	X
	CVBS	O	O
	AVI	X	X
	TVI	X	X
	LVDS	X	X
	Parallel	X	X
	USB	X	X
	HDMI	O	O
Max. Video Resolution		HDMI(1.4b) : 3840x2160@30fps	
D&N Mode		Auto/Day(Color)/Night(BW)/External-H or L	
Image Freeze		O	O
Image Flip		O	O
Privacy Mask Zone		O	O
Digital Image Stabilization		O	O
Motion Detection		O	O
WDR		O	O
3D-DNR		O	O
Defog		O	O
UART		RS232 TTL +5.0V(+3.3V Compatible)	
Optional Model		ATC-UZ5707U-HM HDMI TO MIPI convertor board	ATC-UZ5722U-HM HDMI TO MIPI convertor board



# HD Auto Focus Optical Zoom Block Camera

ZOOM CAMERA

## Model naming



## Global Shutter Series

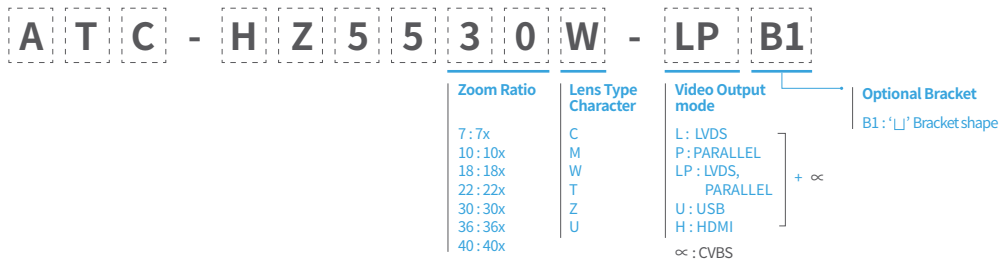
Model Name	ATC-HZ5510C-L ATC-HZ5510C-LC	ATC-HZ5510C-P ATC-HZ5510C-PC	ATC-HZ5510C-C	ATC-HZ5530Z-LP	ATC-HZ5530T-LP
Shutter system	Global Shutter				
Optical Zoom Ratio	10x			30x	
Image Sensor	1/2.9" CMOS				
Video Output Mode	EX-SDI	X	X	X	X
	HD-SDI	X	X	X	X
	CVBS	O(LC)	O(PC)	O	O
	AVI	X	X	X	X
	TVI	X	X	X	X
	LVDS	O	X	X	O
	Parallel	X	O	X	O
	USB	X	X	X	X
Max. Video Resolution	LVDS : 720p@60(50fps)	Parallel : 720p@60(50fps)	-	LVDS / Parallel : 1080p@60(50fps)	LVDS / Parallel : 720p@60(50fps)
D&N Mode	Auto/Day(Color)/Night(BW)/External-H or L				
Image Freeze	O	O	O	O	O
Image Flip	O	O	O	O	O
Privacy Mask Zone	O	O	O	O	O
Digital Image Stabilization	O	O	X	O	O
Motion Detection	O	O	O	O	O
WDR	O	O	O	O	O
3D-DNR	O	O	O	O	O
Defog	O	O	O	O	O
UART	RS232 TTL +5.0V(+3.3V Compatible)				
Optional Model	NIL				



# HD Auto Focus Optical Zoom Block Camera

ZOOM CAMERA

## Model naming



## Global Shutter Series

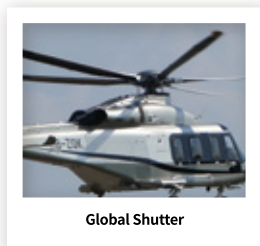
Model Name	ATC-HZ5530W-LP	ATC-HZ5536W-LP	ATC-HZ5518W-LP	ATC-HZ5518W-U	ATC-HZ5340T-LP
Shutter system	Global Shutter				
Optical Zoom Ratio	30x	36x	18x		40x
Image Sensor	1/1.8" CMOS				1/2.3" CMOS
Video Output Mode	EX-SDI	X	X	X	X
	HD-SDI	X	X	X	X
	CVBS	O	O	O	O
	AVI	X	X	X	X
	TVI	X	X	X	X
	LVDS	O	O	O	X
	Parallel	O	O	O	X
	USB	X	X	X	O
Max. Video Resolution	LVDS / Parallel : 1080p@60(50fps)			USB:1080p@60(50fps)	LVDS / Parallel : 1080p@60(50fps)
D&N Mode	Auto/Day(Color)/Night(BW)/External-H or L				
Image Freeze	O	O	O	O	O
Image Flip	O	O	O	O	O
Privacy Mask Zone	O	O	O	O	O
Digital Image Stabilization	O	O	O	O	O
Motion Detection	O	O	O	O	O
WDR	O	O	O	O	O
3D-DNR	O	O	O	O	O
Defog	O	O	O	O	O
UART	RS232 TTL +5.0V(+3.3V Compatible)				
Optional Model	NIL				



### • High speed zoom tracking and extremely precise auto focusing.

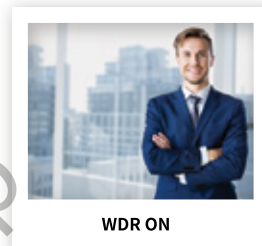
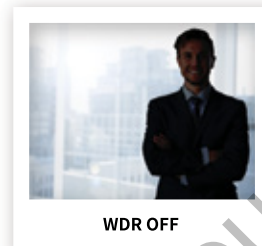
### • Global shutter

Global shutter captures the entire image at once so there is no distortion in the picture even on fast moving objects, unlike the rolling shutter where it uses repetitive scan which causes the image to be skewed or blurred.



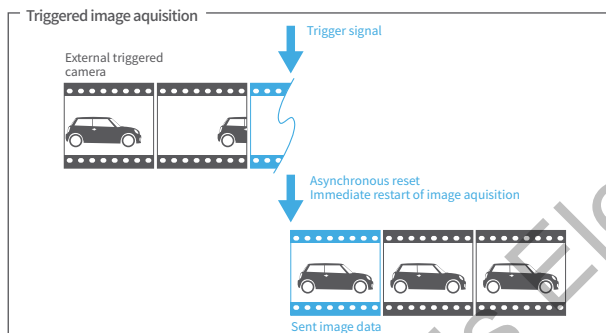
### • Wide Dynamic Range

Wide Dynamic Range is a technology used to compensate problems with various light exposure. It can work on the dark and bright areas on the image by reproducing a balanced image to improve overall image quality.



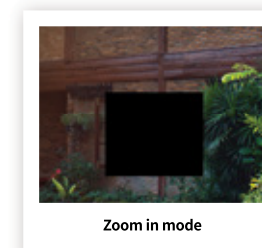
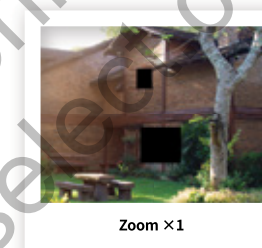
### • Asynchronous Reset

Initiating an exposure at a particular instant by external trigger is called asynchronous reset. This function is required to acquire the best image so that object is located in correct position even when it moves at high speed.



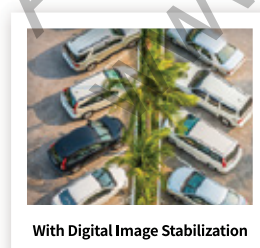
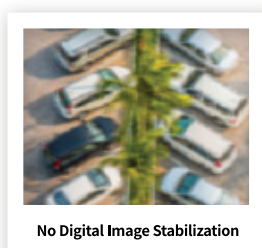
### • 3D Privacy Masking Zone

Masking zone function is to protect private and sensitive areas. The masking area is maintained proportional to the zoom level. 8 zones can be specified.



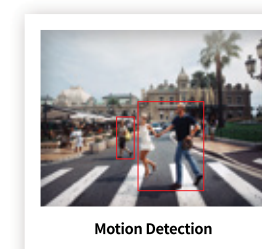
### • Digital Image Stabilization

DIS greatly reduces image blur caused by vibration.



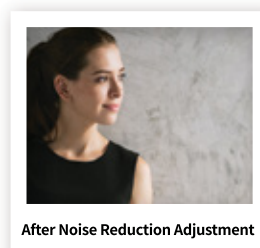
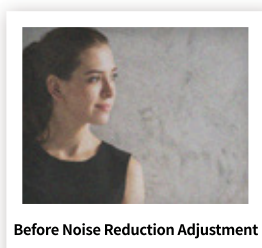
### • Motion Detection

Motion detection is the process of detecting a change in specified areas. 4 zones can be specified.



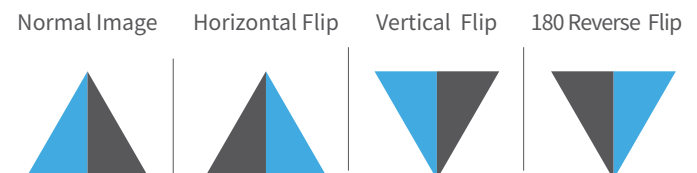
### • Noise Reduction

Noise reduction is the process of removing noise from a signal. The HZ55 series cameras are optimized to obtain extremely low-noise image by incorporating 2D/3D-DNR.



### • Image Rotation(E-Flip) and Freeze

Image Rotation allows the images to be flipped horizontally, vertically, or both. The Freeze function stills the image.







## Global Shutter 4K Series

- ATC-UZ5707U-H
- ATC-UZ5722U-H

## Global Shutter Series

- ATC-HZ5510C-L
- ATC-HZ5510C-LC
- ATC-HZ5510C-P
- ATC-HZ5510C-PC
- ATC-HZ5510C-C
- ATC-HZ5530Z-LP
- ATC-HZ5530W-LP
- ATC-HZ5530T-LP
- ATC-HZ5536W-LP
- ATC-HZ5340T-LP
- ATC-HZ5518W-LP
- ATC-HZ5518W-U

## Outline

Global shutter series offers auto-focus optical zoom block cameras with global shutter that incorporates the latest and most advanced ISP and CMOS sensor.

Global shutter is the key feature that can obtain undistorted images from fast moving subjects used in various industrial applications.

Furthermore, the series support high speed zoom tracking and highly accurate auto focusing even in dark environments.

Model Name	Image Sensor	Lens Features	Max. Video Resolution
ATC-HZ5510C	1/2.9" CMOS	f=5.1~51mm(10x) F1.6~1.8	LVDS : 720p@60(50fps)
ATC-HZ5530Z	1/2.9" CMOS	f=5.0~150mm(30x) F1.6~4.3	LVDS / Parallel : 720p@60(50fps)
ATC-HZ5530T	1/2.9" CMOS	f=4.3~129mm(30x) F1.6~5.0	LVDS / Parallel : 720p@60(50fps)
ATC-HZ5340T	1/2.3" CMOS	f=4.25~170mm F1.6~4.95	LVDS / Parallel : 1080p@60(50fps)
ATC-HZ5536W	1/1.8" CMOS	f=6.0~216mm(36x) F1.5~4.8	LVDS / Parallel : 1080p@60(50fps)
ATC-HZ5530W	1/1.8" CMOS	f=6.0~180mm(30x) F1.5~4.3	LVDS / Parallel : 1080p@60(50fps)
ATC-HZ5518W-LP	1/1.8" CMOS	f=6.8~120mm F1.61~4.13	LVDS / Parallel : 1080p@60(50fps)
ATC-HZ5518W-U	1/1.8" CMOS	f=6.8~120mm F1.61~4.13	USB :1080p@60(50fps)
ATC-UZ5707U	1/1" CMOS	f=12~84mm F1.5~2.6	HDMI(1.4b) : 3840x2160@30fps
ATC-UZ5722U	1/1" CMOS	f=9.9~217mm F1.62~5.4	HDMI(1.4b) : 3840x2160@30fps

## Features

### • Image Sensor

- 720p 1/2.9" Pregius™ Global shutter CMOS
- 1080p 1/1.8" Pregius™ Global shutter CMOS
- 1080p 1/2.3" Pregius™ Global shutter CMOS
- 4K 1" Pregius™ Global shutter CMOS



### • Video Signal Format

Depending on register settings, you can select from various digital output methods.

3840x2160(30), 1080p/60(50), 1080p/30(25), 720p/60(50), 720p/30(25)

### • Video Output

LVDS / Parallel/ CVBS / USB / HDMI(1.4b)

### • Global Shutter

It enables to obtain undistorted images even from fast moving subjects.

### • Wide Dynamic Range

It produces high quality image across a broad range of light intensity.

### • 3D Privacy Masking zone

Maximum 8 zones are available.

### • Digital Image Stabilization

DIS allows reduction in image blurring caused by vibration detection.

### • Motion detection is available.

### • Noise Reduction

It is optimized to obtain extremely low-noise images incorporating 2D/3D-DNR.

### • Auto ICR

Infrared cut-filter is automatically enabled or disabled according to changing light conditions or day/night mode.

### • Defog

Defog enables clearer images during foggy and low contrast environments.

### • Image Flip and freeze.

### • External Synchronization(Optional).

### • Available UART RS232 TTL(VISCA/Pelco-D/Pelco-P/Hitachi).

Model Name		ATC-UZ5707U-H	ATC-UZ5722U-H
<b>Video System</b>			
Image Sensor		1/1" Progressive Scan Global Shutter CMOS	
Effective Pixels		8.95MP 4112(H) x 2176(V)	
Video Output Mode	Common	HDMI(1.4b) / CVBS	
Max. Video Resolution		HDMI(1.4b) : 3840x2160@30fps	
Synchronization system		Internal	
<b>Min.Illumination</b>			
Min.Illumination (Condition : DSS OFF, AGC45dB)		Day mode: 0.1(Lux(F1.6) Night mode: 0.06Lux(F1.6/ IR-cut filter on) Sens-Up off, AGC28dB	
S/N Rate		More than 52dB(AGC off, Sens-Up off)	
<b>Lens</b>			
Lens	Type	AF Optical zoom lens(P-Iris)	
	Focal Length	f=12mm~84mm	f=9.9mm~217mm
	F-value	F1.5(W)~2.6(T)	F1.62(W)~5.4(T)
	Angle of View	Horizontal 61.19°(W)~9.66°(T), Vertical 34.75°(W)~5.12°(T)	Horizontal 71.26°(W)~3.75°(T), Vertical 41.54°(W)~1.98°(T)
Zoom ratio		Optical 7x / Digital 12x	Optical 22x / Digital 12x
Focus Min.Working Distance		0.5m(Wide)/2.5m(Tele)~∞	0.5m(Wide)/10.0m(Tele)~∞
Focus Control		Auto/Manual/Interval/One Push/Preset	
<b>Exposure</b>			
AE Mode		Auto/Shutter Priority/Iris Priority/AGC Priority/Manual	
Brightness		0~14	
Manual Shutter		1/1, 1/2, 1/4(3), 1/8(6), 1/15(12), 1/30(25), 1/60(50)~1/10000	
Manual Iris		F1.5~F32, Close	F1.6~F32, Close
Sense-up		Off~32fields	
ETC		Spot AE, Slow AE	
<b>Functions</b>			
D&N Mode		Auto/Day(Color)/Night(BW)/External-H or L	
White Balance		AUTO/ATW/Indoor/Outdoor/OnePush/Manual	
Image Freeze		Off/On	
Image Flip		Off/Horizontal/Vertical/H+V(180° Flip)	
Privacy Mask Zone		16 Zones/14 mask color selectable, semi-transparency	
Digital Image Stabilization		Yes	
Motion Detection		4 Zones	
D-WDR		Off/Low/Middle/High	
WDR		Off/Low/Middle/High	
BLC		Off/On, Area selectable	
HLC		Off/0~20, Color selectable	
AGC		Max.48dB	
Sharpness		Adjustable(0~15)	
3D-DNR		On/Off(1~5)	
2D-DNR		Auto/Manual	
Defog		Off/Low/Middle/High	
Preset		256 position Presets(Zoom,Focus), 16Memory Presets, Custom Preset	
Language		English	
<b>Communication</b>			
UART	Remote	RS232 TTL +5.0V(+3.3V compatible)	
	Protocol	VISCA/Pelco-D/Pelco-P/Hitachi: Automatic detection	
	Baud rate	2400/4800/9600/19200/38400/57600/115200bps	
<b>Power</b>			
Supply Voltage		12VDC(9V to 15VDC)	
Power Consumption		Max.8.7W / Non-working zoom&focus 6.9W	
<b>Physical and Temperature</b>			
Dimension(mm)		80x88x154.3mm	79.5x86.2x175.4mm
Weight		Approx.885g	Approx.497g
Operating Temperature		-10°C~+50°C, Humidity(20~80%)	
Storage Temperature		-20°C~+60°C, Humidity(20~95%)	



# Global Shutter Series Specifications

ZOOM CAMERA

Model Name		ATC-HZ5510C-L ATC-HZ5510C-LC	ATC-HZ5510C-P ATC-HZ5510C-PC	ATC-HZ5510C-C	ATC-HZ5530Z-LP	ATC-HZ5530T-LP	ATC-HZ5530W-LP	ATC-HZ5536W-LP	
<b>Video System</b>									
Image Sensor		1/2.9" Progressive Scan Global Shutter CMOS					1/1.8" Progressive Scan Global Shutter CMOS		
Effective Pixels		1.58MP 1456(H) x 1088(V)					3.19MP 2064(H) x 1544(V)		
Video Output Mode	Common	LVDS (L) LVDS / CVBS (LC)	Parallel (P) Parallel / CVBS (PC)	CVBS	LVDS / Parallel / CVBS				
Max. Video Resolution		LVDS : 720p@60(50fps)	Parallel : 720p@60(50fps)	-	LVDS / Parallel : 720p@60(50fps)		LVDS / Parallel : 1080p@60(50fps)		
Synchronization system		Internal / External Option							
<b>Min. Illumination</b>									
Min. Illumination (Condition : DSS OFF, AGC45dB)		Day mode : 0.1Lux(F1.6) Night mode : 0.08Lux(F1.6 / IR-cut filter on)		Day mode : 0.03Lux(F1.6) Night mode : 0.02Lux (F1.6 / IR-cut filter on)	Day mode : 0.1Lux(F1.6) Night mode : 0.08Lux(F1.6 / IR-cut filter on)		Day mode : 0.1Lux(F1.5) Night mode : 0.05Lux(F1.5 / IR-cut filter on)		
S/N Rate		More than 55dB(AGC off, DSS off)		More than 52dB (AGC off, DSS off)	More than 55dB(AGC off, DSS off)				
<b>Lens</b>									
Type		AF Optical zoom lens(DC Iris), IR Corrective							
Lens	Focal Length	f=5.1mm~51mm			f=5.0~150mm	f=4.3mm~129mm	f=6.0mm~180mm	f=6.0mm~216mm	
	F-value	F1.6(W)~1.8(T)			F1.6(W)~4.3(T)	F1.6(W)~5.0(T)	F1.5(W)~4.3(T)	F1.5(W)~4.8(T)	
	Angle of View	Horizontal 54.0°(W)~4.9°(T), Vertical 31.0°(W)~4.0°(T)			Horizontal 59.2°(W)~2.0°(T), Vertical 33.8°(W)~1.15°(T)	Horizontal 53.9°(W)~1.93°(T), Vertical 39.8°(W)~1.41°(T)	Horizontal 61.2°(W)~2.32°(T), Vertical 36.1°(W)~1.31°(T)	Horizontal 58.4°(W)~2.2°(T), Vertical 34.1°(W)~1.2°(T)	
Zoom ratio		Optical 10x / Digital 12x			Optical 30x / Digital 12x	Optical 30x / Digital 12x		Optical 36x / Digital 12x	
Focus Min. Working Distance		0.01m(Wide) / 1.0m(Tele)~∞				0.01m(Wide) / 1.0m(Tele)~∞	0.1m(Wide) / 1.5m(Tele)~∞	0.1m(Wide) / 1.5m(Tele)~∞	
Focus Control		Auto/Manual/Interval/One Push/Preset							
<b>Exposure</b>									
AE Mode		Auto/Shutter Priority/Iris Priority/Manual/Bright							
Brightness		0~14							
Manual Shutter		1/1, 1/2, 1/4(3), 1/8(6), 1/15(12), 1/30(25), 1/60(50)~1/10000							
Manual Iris		F1.6~F32, Close							
Sense-up		Off/32fields							
ETC		Spot AE, Slow AE							
<b>Functions</b>									
D&N Mode		Auto/Day(Color)/Night(BW)/External-H or L							
White Balance		AUTO/ATW/Indoor/Outdoor/Push/Manual							
Image Freeze		Off/On							
Image Flip		Off/Horizontal/Vertical/H+V(180° Flip)							
Privacy Mask Zone		8 Zones/14 mask color selectable							
Digital Image Stabilization		Yes	-				Yes		
Motion Detection		4 Zones							
D-WDR		Off/Low/Middle/High							
WDR		Off/On, Adjustable(Level:0~29, Contrast:0~5, Bright:0~19)							
BLC		Off/On, Area selectable							
HLC		Off/On, Area selectable							
AGC		Max.48dB, d2X ~ d9X					Max.48dB		
Sharpness		Adjustable(0~15)							
3D-DNR		Off/Auto/Low/Middle/High							
2D-DNR		Off/Auto/Low/Middle/High							
Defog		Off/On/Auto							
Preset		256 position Presets(Zoom,Focus), 16Memory Presets, Custom Preset							
Language		English							
<b>Communication</b>									
UART	Remote	RS232 TTL +5.0V(+3.3V compatible)							
	Protocol	VISCA/Pelco-D/Pelco-P/Hitachi: Automatic detection							
	Baud rate	2400/4800/9600/19200/38400/57600/115200bps							
<b>Power</b>									
Supply Voltage		12VDC(9V to 15VDC)							
Power Consumption		Max.4.7W / Non-working zoom&focus 3.0W	Max.6W / Non-working zoom&focus 3.9W	Max.5.1W / Non-working zoom&focus 3.1W	Max.5.3W / Non-working zoom&focus 3.8W				
<b>Physical and Temperature</b>									
Dimension(mm)		41.6x45x61.6mm			50x58.8x96.1mm	50x58.8x90.5mm	55.0x64.0x123mm	55.0x64.0x123mm	
Weight		Approx.124g			Approx.240g	Approx.244g	Approx.380g		
Operating Temperature		-10°C~+50°C, Humidity(20~80%)							
Storage Temperature		-20°C~+60°C, Humidity(20~95%)							





# Global Shutter Series Specifications

ZOOM CAMERA

Model Name		ATC-HZ5340T-LP	ATC-HZ5518W-LP	ATC-HZ5518W-U
<b>Video System</b>				
<b>Image Sensor</b>		1/2.3" Progressive Scan Global Shutter CMOS		1/1.8" Progressive Scan Global Shutter CMOS
<b>Effective Pixels</b>		1.58MP 1456(H) x 1088(V)		3.19MP 2064(H) x 1544(V)
<b>Video Output Mode</b>	<b>Common</b>	LVDS / Parallel / CVBS		USB / CVBS
<b>Max. Video Resolution</b>		LVDS / Parallel : 1080p@60(50fps)		USB :1080p@60(50fps)
<b>Synchronization system</b>		Internal / External Option		
<b>Min.Illumination</b>				
<b>Min.Illumination</b> (Condition : DSS OFF, AGC45dB)		Day mode: 0.1Lux(F1.6) Night mode: 0.08Lux (F1.6/ IR-cut filter on) Sens-Up off, AGC45dB		Day mode: 0.1(Lux)(F1.5) Night mode: 0.05Lux(F1.5/ IR-cut filter on) Sens-Up off, AGC45dB
<b>S/N Rate</b>		More than 55dB(AGC off, DSS off)		
<b>Lens</b>				
<b>Lens</b>	<b>Type</b>	AF Optical zoom lens(DC Iris), IR Corrective		
	<b>Focal Length</b>	f=4.25~170mm	f=6.8mm~120mm	
	<b>F-value</b>	F1.6(W)~4.95(T)	F1.61(W)~4.13(T)	
	<b>Angle of View</b>	Horizontal 68.8°(W)~2.0°(T), Vertical 41.6°(W)~1.2°(T)		Horizontal 54.5°(W)~3.4°(T), Vertical 42.3°(W)~2.5°(T)
<b>Zoom ratio</b>		Optical 40x / Digital 12x		Optical 18x / Digital 12x
<b>Focus Min.Working Distance</b>		0.01m(Wide) / 1.0m(Tele)~∞		0.1m(Wide) / 2.0m(Tele)~∞
<b>Focus Control</b>		Auto/Manual/Interval/One Push/Preset		
<b>Exposure</b>				
<b>AE Mode</b>		Auto/Shutter Priority/Iris Priority/AGC Priority/Manual		
<b>Brightness</b>		0~14		
<b>Manual Shutter</b>		1/1, 1/2, 1/4(3), 1/8(6), 1/15(12), 1/30(25), 1/60(50)~1/10000		
<b>Manual Iris</b>		F1.6~F32, Close		
<b>Sense-up</b>		Off~32fields		
<b>ETC</b>		Spot AE, Slow AE		
<b>Functions</b>				
<b>D&amp;N Mode</b>		Auto/Day(Color)/Night(BW)/External-H or L		
<b>White Balance</b>		AUTO/ATW/Indoor/Outdoor/OnePush/Manual		
<b>Image Freeze</b>		Off/On		
<b>Image Flip</b>		Off/Horizontal/Vertical/H+V(180° Flip)		
<b>Privacy Mask Zone</b>		8 Zones/14 mask color selectable		
<b>Digital Image Stabilization</b>		Yes		
<b>Motion Detection</b>		4 Zones		
<b>D-WDR</b>		Off/Low/Middle/High		
<b>WDR</b>		Off/On, Adjustable(Level:0~29, Contrast:0~5, Bright:0~19)		
<b>BLC</b>		Off/On, Area selectable		
<b>HLC</b>		Off/On, Area selectable		
<b>AGC</b>		Max.72dB	Max.48dB	
<b>Sharpness</b>		Adjustable(0~15)		
<b>3D-DNR</b>		Off/Auto/Low/Middle/High		
<b>2D-DNR</b>		Off/Auto/Low/Middle/High		
<b>Defog</b>		Off/On/Auto		
<b>Preset</b>		256 position Presets(Zoom,Focus), 16Memory Presets, Custom Preset		
<b>Language</b>		English		
<b>Communication</b>				
<b>UART</b>	<b>Remote</b>	RS232 TTL +5.0V(+3.3V compatible)		
	<b>Protocol</b>	VISCA/Pelco-D/Pelco-P/Hitachi: Automatic detection		
	<b>Baud rate</b>	2400/4800/9600/19200/38400/57600/115200bps		
<b>Power</b>				
<b>Supply Voltage</b>		12VDC(9V to 15VDC)		
<b>Power Consumption</b>		TBD	Max.5.3W / Non-working zoom&focus 3.8W	Max.6.0W / Non-working zoom&focus 4.5W
<b>Physical and Temperature</b>				
<b>Dimension(mm)</b>		53.2x62x101.2mm	51x59x97.6mm	
<b>Weight</b>		Approx.315g	Approx.277g	
<b>Operating Temperature</b>		-10°C~+50°C, Humidity(20~80%)		
<b>Storage Temperature</b>		-20°C~+60°C, Humidity(20~95%)		



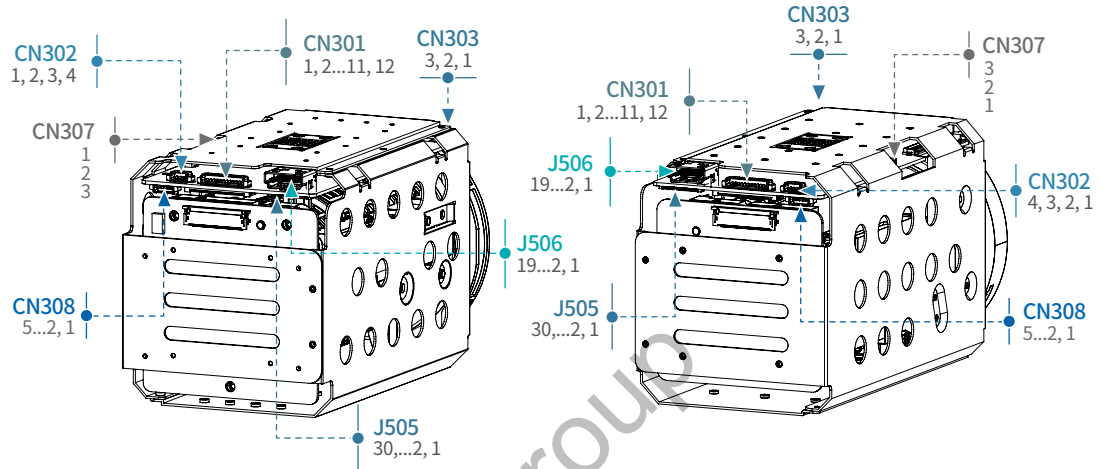
## • Pin Type:

CN301/CN302/CN303/CN307/C308/  
J505/J506

## • Available Pin Type

\*ATC-UZ5707U-H, ATC-UZ5722U-H:  
CN301/CN302/CN303/CN307/  
C308/J505/J506

## • Pin Location



### CN301

Pin no.	CN301(External I/O) / Molex : 53261-1271
1	Vsync_OUT
2	Hsync_OUT
3	VCLK_OUT
4	GND
5	Vsync_IN
6	Hsync_IN
7	VCLK_IN
8	GND
9	Trig_Common
10	Trigger_IN
11	Strobe_Common
12	Strobe_IN

### CN302

Pin no.	CN302(CVBS) / Molex: 53261-0471
1	POWER IN : +12VDC
2	GND
3	VIDEO : CVBS Output
4	AD_KEY

### CN303

Pin no.	CN303(External D&N) / JST: SM03B-SRSS-TB
1	Ext_D&N : External D&N Input
2	GND
3	+3.3V Out(For sensor)

### CN307

Pin no.	CN307(RS-232 TTL) / JST: SM03B-SRSS-TB
1	GND
2	RXD : CMOS 3.3V Read Data
3	TXD : CMOS 3.3V Send Data

### J506

Pin no.	J506(HDMI)/ 51U019S-3051N-AR
1	TMDS2+
2	GND
3	TMDS2-
4	TMDS1+
5	GND
6	TMDS1-
7	TMDS0+
8	GND
9	TMDS0-
10	TMDSC+
11	GND
12	TMDSC-
13	CEC
14	NC
15	DDC_SCL
16	DDC_SDA
17	GND
18	+5VDC
19	HPD
20	CN308(IR-LED I/O) / Molex : 53261-0571
21	+12V DC
22	GND
23	LED On/Off
24	+3.3V Out(For sensor)
25	CDS Input

### CN308

Pin no.	CN308(IR-LED I/O) / Molex : 53261-0571
1	+12V DC
2	GND
3	LED On/Off
4	+3.3V Out(For sensor)
5	CDS Input

### J505

Pin no.	J505(Micro Co-Axial) / KEL Co.USL00-30L-A
1	POWER IN: +12VDC
2	POWER IN: +12VDC
3	GND
4	GND
5	I2C_SCL(3.3V)
6	I2C_SCL(3.3V)
7	GND
8	Uart_TXD(5V)
9	Uart_RXD(5V)
10	GND
11	GND
12	1_HDMI(TMDS_D2+)
13	2_HDMI(GND)
14	3_HDMI(TMDS_D2-)
15	4_HDMI(TMDS_D1+)
16	5_HDMI(GND)
17	6_HDMI(TMDS_D1-)
18	7_HDMI(TMDS_D0+)
19	8_HDMI(GND)
20	9_HDMI(TMDS_D0-)
21	10_HDMI(TMDS_CLK+)
22	11_HDMI(GND)
23	12_HDMI(TMDS_CLK-)
24	13_HDMI(CEC)
25	14_HDMI(NC)
26	15_HDMI(DDC_SCL)
27	16_HDMI(DDC_SDA)
28	17_HDMI(DDC_GND)
29	18_HDMI(VCC_5V)
30	19_HDMI(HPD)



# Pin Assignment(HZ5510C Series)

ZOOM CAMERA

## • Pin Type:

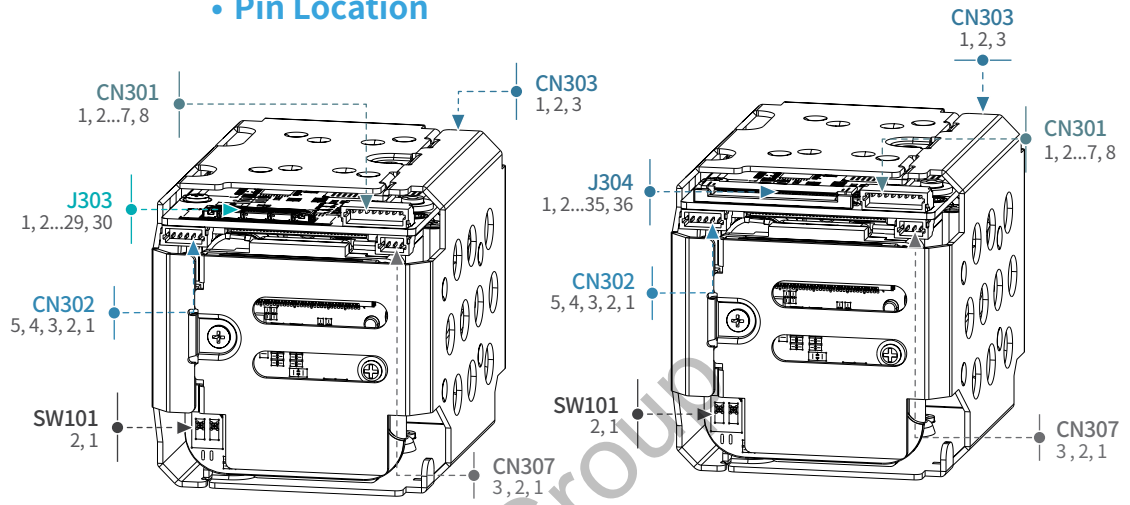
CN301/CN302/CN303/ CN307/  
J303/J304

## • Available Pin Type

\*ATC-HZ5510C-L , ATC-HZ5510C-LC:  
CN301/CN302/CN303/CN307/J303  
\*ATC-HZ5510C-P, ATC-HZ5510C-PC:  
CN301/CN302/CN303/CN307/J304

SW101 is fixed the sensor slave  
(Switch 1: OFF, Switch 2: ON)  
It cannot be operated when using the other  
settings.

## • Pin Location



### CN301

Pin no.	CN301(External I/O) / JST: SM08B-SRSS-TB
1	Vsync_OUT
2	Hsync_OUT
3	VCLK_OUT
4	GND
5	Vsync_IN
6	Hsync_IN
7	VCLK_IN
8	GND

### CN302

Pin no.	CN302 (External I/O) / JST : SM05B-SRSS-TB (ATC-HZ5510C-L/P)	CN302 / JST: SM05 B-SRSS-TB (HZ5510C-PC/LC)
1	Trig_Common	POWER IN : +12VDC
2	Trigger_IN	GND
3	Strobe_Common	VIDEO : CVBS Output
4	Strobe_IN	AD_KEY
5	GND	GND

### CN303

Pin no.	CN303(External D&N) / JST: SM03B-SRSS-TB
1	Ext_D&N : External D&N Input
2	GND
3	+3.3V Out(For sensor)

### CN307

Pin no.	CN307(RS-232 TTL) / JST: SM03B-SRSS-TB
1	GND
2	RXD : CMOS 3.3V Read Data
3	TXD : CMOS 3.3V Send Data

### J304

Pin no.	J304(FFC Connector) / Hirose : FH12-36S-05SH(55)
1	GND
2	Y_OUT[0]
3	Y_OUT[1]
4	Y_OUT[2]
5	Y_OUT[3]
6	GND
7	Y_OUT[4]
8	Y_OUT[5]
9	Y_OUT[6]
10	Y_OUT[7]
11	GND
12	C_OUT[0]
13	C_OUT[1]
14	C_OUT[2]
15	C_OUT[3]
16	GND
17	C_OUT[4]
18	C_OUT[5]
19	C_OUT[6]
20	C_OUT[7]
21	GND
22	VSYNC
23	HSYNC
24	GND
25	VCLK_OUT
26	GND
27	GND
28	GND
29	GND
30	GND
31	POWER IN : +12VDC
32	POWER IN : +12VDC
33	POWER IN : +12VDC
34	GND
35	TXD : CMOS 5.0V Send Data(Compatible 3.3V) RXD : CMOS 5.0V Read Data(Compatible 3.3V)
36	

### J303

Pin no.	J303(Micro Co-Axial) / KEL Co.USL00-30L-C
1	TX_OUT3+
2	TX_OUT3-
3	TX_CLKOUT+
4	TX_CLKOUT-
5	TX_OUT2+
6	TX_OUT2-
7	TX_OUT1+
8	TX_OUT1-
9	TX_OUT0+
10	TX_OUT0-
11	GND
12	TXD : CMOS 5.0V Send Data(Compatible 3.3V)
13	RXD : CMOS 5.0V Read Data(Compatible 3.3V)
14	+12VDC
15	+12VDC
16	+12VDC
17	+12VDC
18	+12VDC
19	GND
20	GND
21	TX_OUT7+ : Single out mode (open)
22	TX_OUT7- : Single out mode(open)
23	TX_OUT6+ : Single out mode(open)
24	TX_OUT6- : Single out mode(open)
25	CVBS Output
26	RESET_IN : Reset - Low(GND), Normal(1.8V)
27	TX_OUT5+
28	TX_OUT5-
29	TX_OUT4+
30	TX_OUT4-



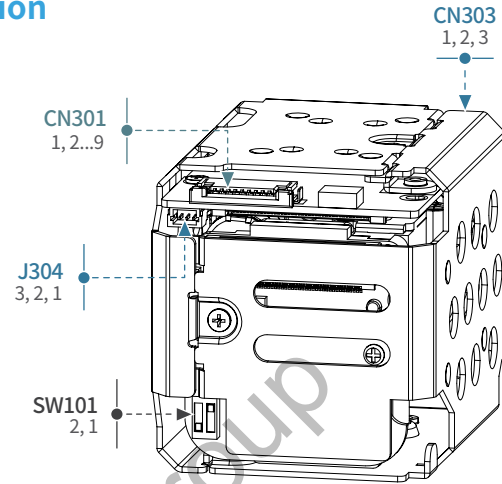
# Pin assignment(HZ5510C Series)

ZOOM CAMERA

## • Pin Type:

CN301/CN303/CN304

## • Pin Location



## • Available Pin Type

\*ATC-HZ5510C-C:

CN301/CN303/CN304

SW101 is fixed the sensor slave  
(Switch 1: OFF, Switch 2: ON)  
It cannot be operated when using the other settings.

### CN301

Pin no.	CN301(52207-0933)	Master	Slave
1	CVBS_SUB	CVBS_SUB (OUTPUT)	CVBS_SUB (INPUT)
2	VD_OUT	VD_OUT	VD_OUT (No need no use)
3	GND	-	-
4	CVBS_MAIN	CVBS_OUT	CVBS_OUT
5	GND	-	-
6	+12V_IN	-	-
7	GND	-	-
8	TXD	TXD	TXD
9	RXD	RXD	RXD

### CN303

Pin no.	CN303(SM3B-SRSS-TB)
1	EXT_DN
2	GND
3	+3.3V

### CN304

Pin no.	CN304(SM3B-SRSS-TB)
1	GND
2	UART_RX
3	UART_TX



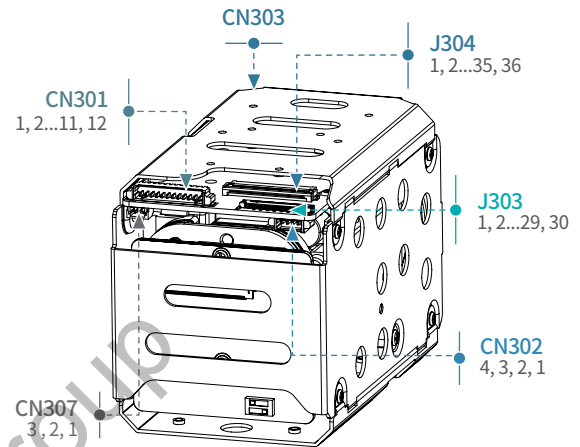
# Pin Assignment(HZ5530Z/30T/5340T)

ZOOM CAMERA

## • Pin Type:

CN301/CN302/CN303/CN307/  
J303/J304

## • Pin Location



## • Available Pin Type

\*ATC-HZ5530Z-LP, ATC-HZ5530T-LP, ATC-HZ5340T-LP :  
CN301/CN302/CN303/J303/J304

SW101 is fixed the sensor slave  
(Switch 1: OFF, Switch 2: ON)  
It cannot be operated when  
using the other settings.

### CN301

Pin no.	CN301(External I/O) / Molex : 53261-1271
1	Vsync_OUT
2	Hsync_OUT
3	VCLK_OUT
4	GND
5	Vsync_IN
6	Hsync_IN
7	VCLK_IN
8	GND
9	Trig_Common
10	Trigger_IN
11	Strobe_Common
12	Strobe_IN

### CN302

Pin no.	CN302(CVBS) / Molex: 53261-0471
1	POWER IN : +12VDC
2	GND
3	VIDEO : CVBS Output
4	AD_KEY

### CN303

Pin no.	CN303(External D&N) / JST: SM03B-SRSS-TB
1	Ext_D&N : External D&N Input
2	GND
3	+3.3V Out(For sensor)

### CN307

Pin no.	CN307(RS-232 TTL) / JST: SM03B-SRSS-TB
1	GND
2	RXD : CMOS 3.3V Read Data
3	TXD : CMOS 3.3V Send Data

### J304

Pin no.	J304(FFC Connector) / Hirose : FH12-36S-05SH(55)
1	GND
2	Y_OUT[0]
3	Y_OUT[1]
4	Y_OUT[2]
5	Y_OUT[3]
6	GND
7	Y_OUT[4]
8	Y_OUT[5]
9	Y_OUT[6]
10	Y_OUT[7]
11	GND
12	C_OUT[0]
13	C_OUT[1]
14	C_OUT[2]
15	C_OUT[3]
16	GND
17	C_OUT[4]
18	C_OUT[5]
19	C_OUT[6]
20	C_OUT[7]
21	GND
22	VSYNC
23	HSYNC
24	GND
25	VCLK_OUT
26	GND
27	GND
28	GND
29	GND
30	GND
31	POWER IN : +12VDC
32	POWER IN : +12VDC
33	POWER IN : +12VDC
34	GND
35	TXD : CMOS 5.0V Send Data(Compatible 3.3V) RXD : CMOS 5.0V Read Data(Compatible 3.3V)
36	

### J303

Pin no.	J303(Micro Co-Axial) / KEL Co.USL00-30L-C
1	TX_OUT3+
2	TX_OUT3-
3	TX_CLKOUT+
4	TX_CLKOUT-
5	TX_OUT2+
6	TX_OUT2-
7	TX_OUT1+
8	TX_OUT1-
9	TX_OUT0+
10	TX_OUT0-
11	GND
12	TXD : CMOS 5.0V Send Data(Compatible 3.3V)
13	RXD : CMOS 5.0V Read Data(Compatible 3.3V)
14	+12VDC
15	+12VDC
16	+12VDC
17	+12VDC
18	+12VDC
19	GND
20	GND
21	TX_OUT7+ : Single out mode (open)
22	TX_OUT7- : Single out mode(open)
23	TX_OUT6+ : Single out mode(open)
24	TX_OUT6- :Single out mode(open)
25	CVBS Output
26	RESET_IN : Reset - Low(GND), Normal(1.8V)
27	TX_OUT5+
28	TX_OUT5-
29	TX_OUT4+
30	TX_OUT4-





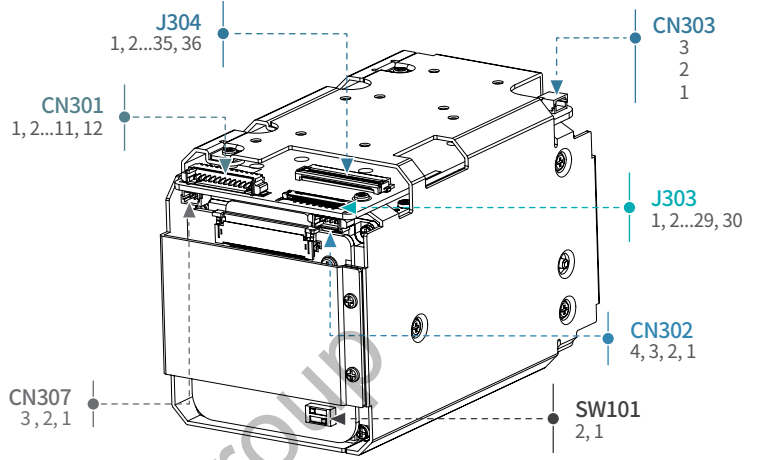
# Pin assignment(HZ5518/30/36W)

ZOOM CAMERA

## • Pin Type:

CN301/CN302/CN304/CN307/J303/J304

## • Pin Location



## • Available Pin Type

\*ATC-HZ5530W-LP, ATC-HZ5536W-LP, ATC-HZ5518W-LP :

CN301/CN302/CN303/CN307/J303/J304

\*ATC-HZ5518W-U : CN302/CN303/J303

SW101 is fixed the sensor slave

(Switch 1: OFF, Switch 2: ON)

It cannot be operated when using the other settings.

### CN301

Pin no.	CN301(External I/O) / Molex : 53261-1271
1	Vsync_OUT
2	Hsync_OUT
3	VCLK_OUT
4	GND
5	Vsync_IN
6	Hsync_IN
7	VCLK_IN
8	GND
9	Trig_Common
10	Trigger_IN
11	Strobe_Common
12	Strobe_IN

### CN302

Pin no.	CN302(CVBS) / Molex: 53261-0471
1	POWER IN : +12VDC
2	GND
3	VIDEO : CVBS Output
4	AD_KEY

### CN303

Pin no.	CN303(External D&N) / JST: SM03B-SRSS-TB
1	Ext_D&N : External D&N Input
2	GND
3	+3.3V Out(For sensor)

### CN307

Pin no.	CN307(RS-232 TTL) / JST: SM03B-SRSS-TB
1	GND
2	RXD : CMOS 3.3V Read Data
3	TXD : CMOS 3.3V Send Data

### J304

Pin no.	J304(FFC Connector) / Hirose : FH12-365-05SH(55)
1	GND
2	Y_OUT[0]
3	Y_OUT[1]
4	Y_OUT[2]
5	Y_OUT[3]
6	GND
7	Y_OUT[4]
8	Y_OUT[5]
9	Y_OUT[6]
10	Y_OUT[7]
11	GND
12	C_OUT[0]
13	C_OUT[1]
14	C_OUT[2]
15	C_OUT[3]
16	GND
17	C_OUT[4]
18	C_OUT[5]
19	C_OUT[6]
20	C_OUT[7]
21	GND
22	VSYNC
23	HSYNC
24	GND
25	VCLK_OUT
26	GND
27	GND
28	GND
29	GND
30	GND
31	POWER IN : +12VDC
32	POWER IN : +12VDC
33	POWER IN : +12VDC
34	GND
35	TXD : CMOS 5.0V Send Data(Compatible 3.3V) RXD : CMOS 5.0V Read Data(Compatible 3.3V)
36	RXD : CMOS 5.0V Read Data(Compatible 3.3V)

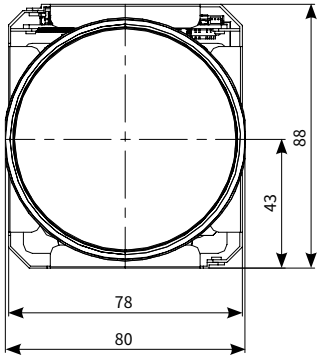
### J303

Pin no.	J303(Micro Co-Axial) / KEL Co.USL00-30L-C
1	TX_OUT3+
2	TX_OUT3-
3	TX_CLKOUT+
4	TX_CLKOUT-
5	TX_OUT2+
6	TX_OUT2-
7	TX_OUT1+
8	TX_OUT1-
9	TX_OUT0+
10	TX_OUT0-
11	GND
12	TXD : CMOS 5.0V Send Data(Compatible 3.3V) RXD : CMOS 5.0V Read Data(Compatible 3.3V)
13	
14	+12VDC
15	+12VDC
16	+12VDC
17	+12VDC
18	+12VDC
19	GND
20	GND
21	TX_OUT7+ : Single out mode (open)
22	TX_OUT7- : Single out mode(open)
23	TX_OUT6+ : Single out mode(open)
24	TX_OUT6- : Single out mode(open)
25	CVBS Output
26	RESET_IN : Reset - Low(GND), Normal(1.8V)
27	TX_OUT5+
28	TX_OUT5-
29	TX_OUT4+
30	TX_OUT4-

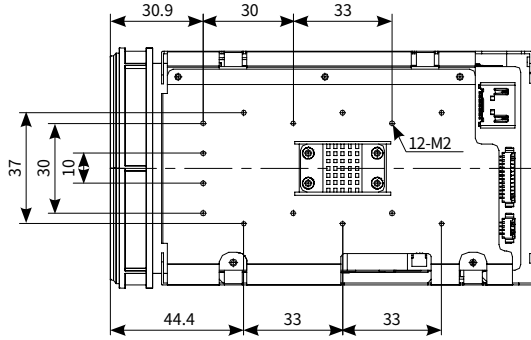


### ATC-UZ5707U-H

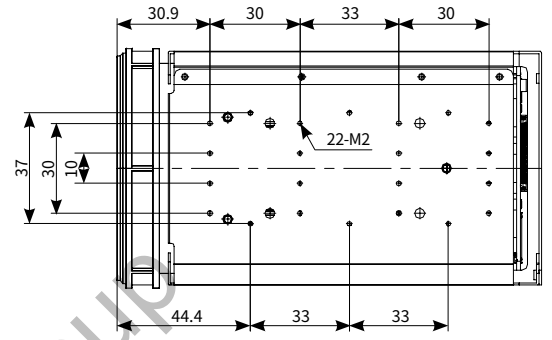
Front



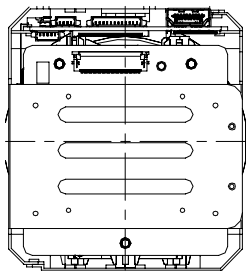
Top



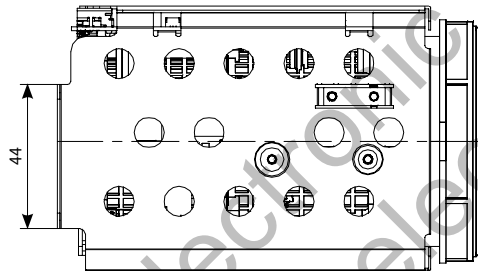
Bottom



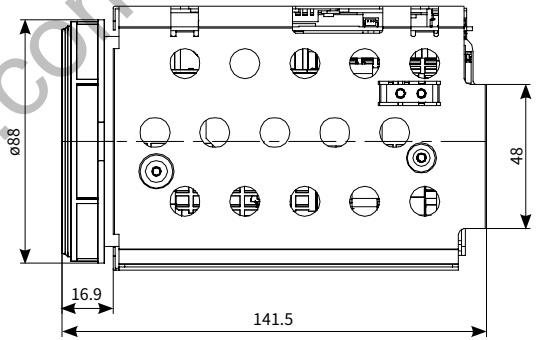
Rear



Left

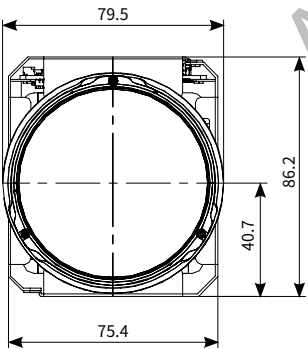


Right

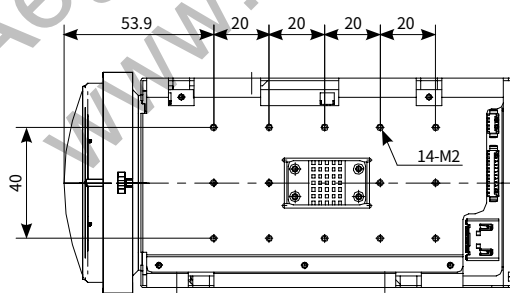


### ATC-UZ5722U-H

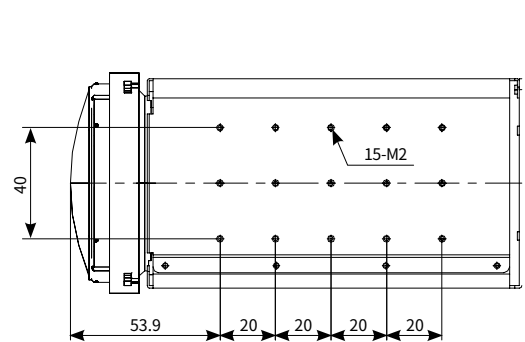
Front



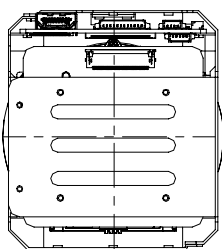
Top



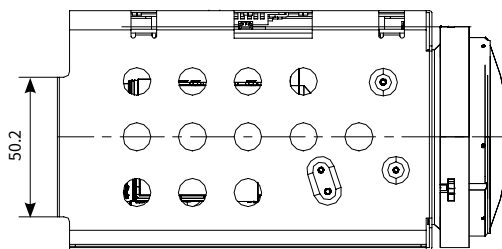
Bottom



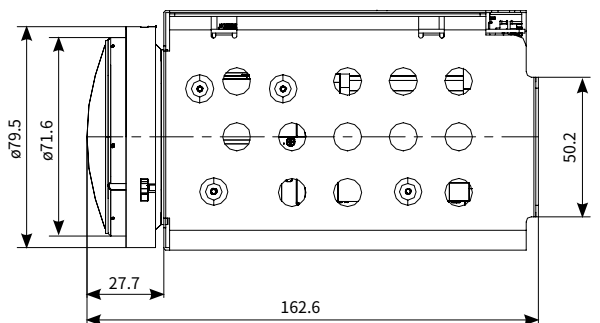
Rear



Left

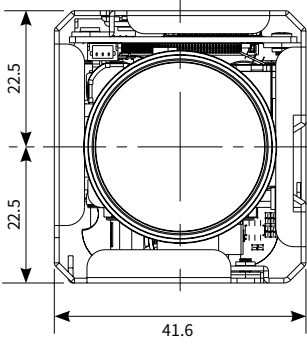


Right

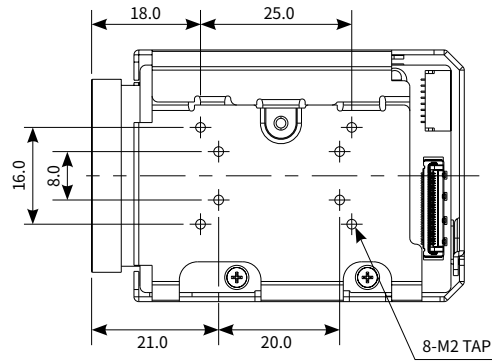


ATC-HZ5510C-L/P/LC/PC/C

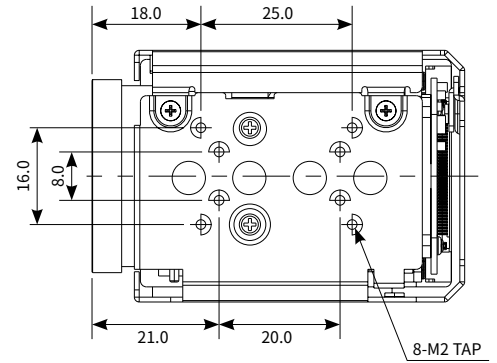
Front



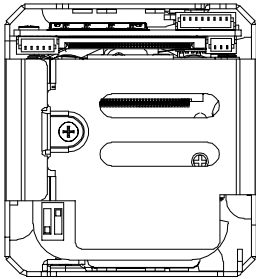
Top



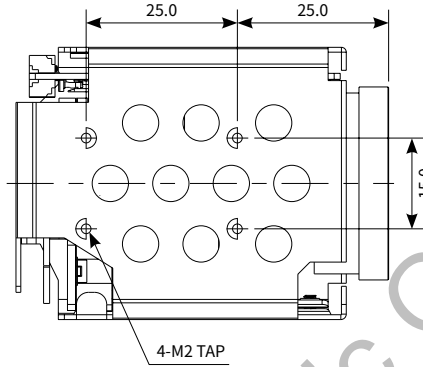
Bottom



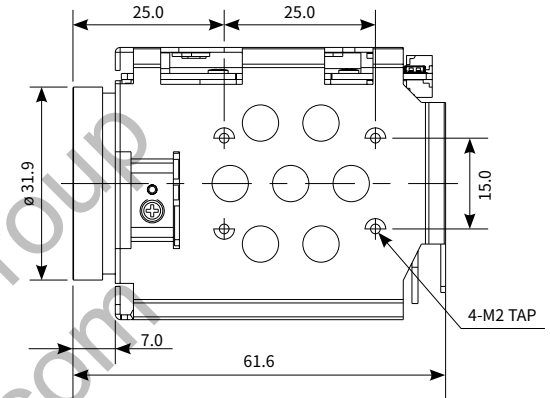
Rear



Left

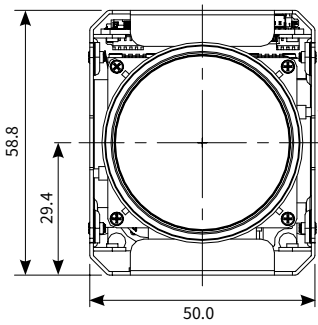


Right

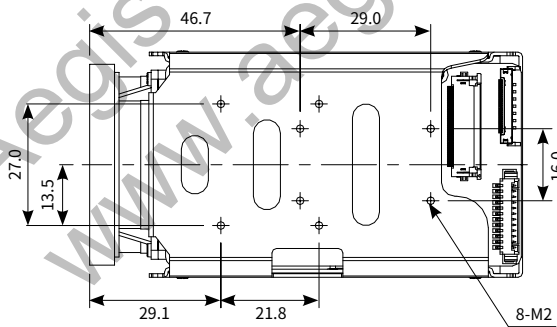


ATC-HZ5530Z-LP

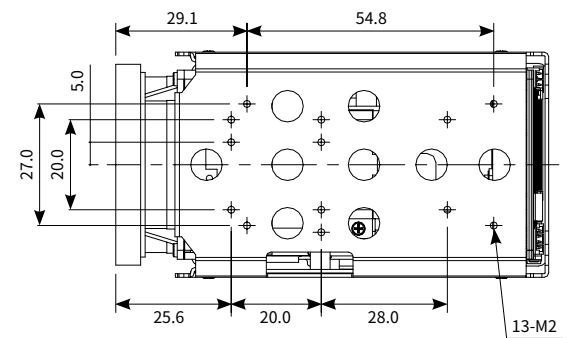
Front



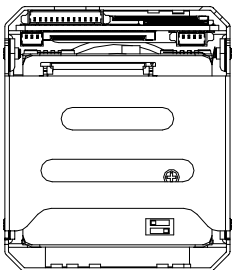
Top



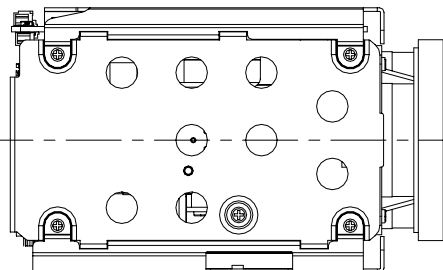
Bottom



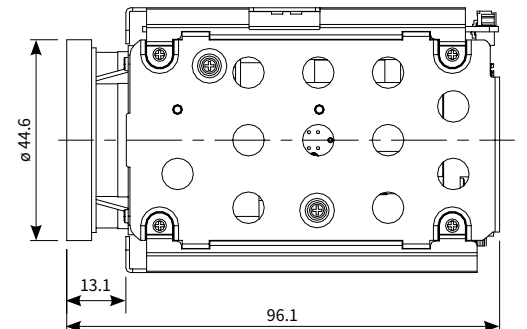
Rear



Left

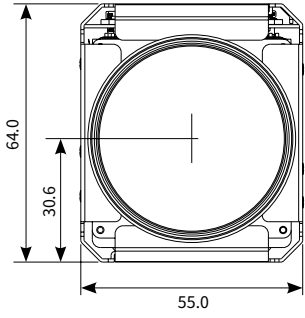


Right

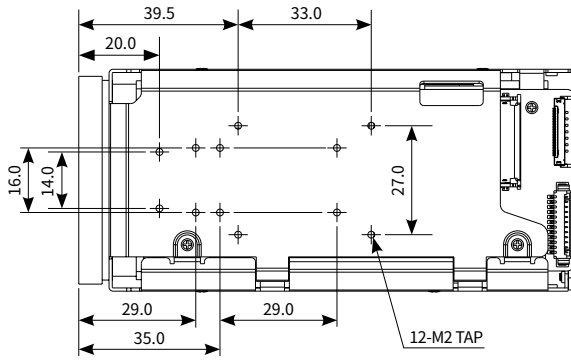


ATC-HZ5530W/36W-LP

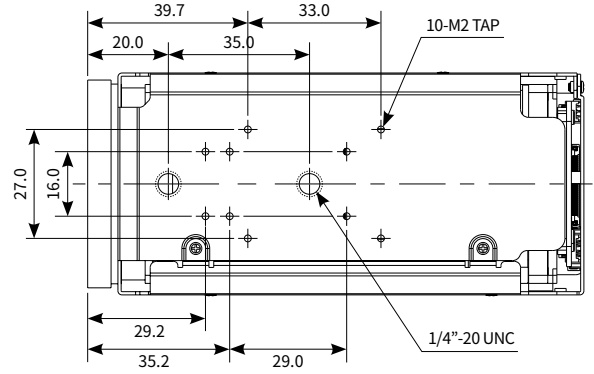
Front



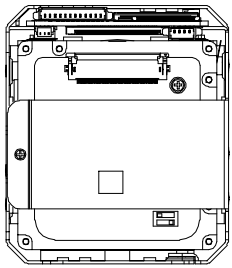
Top



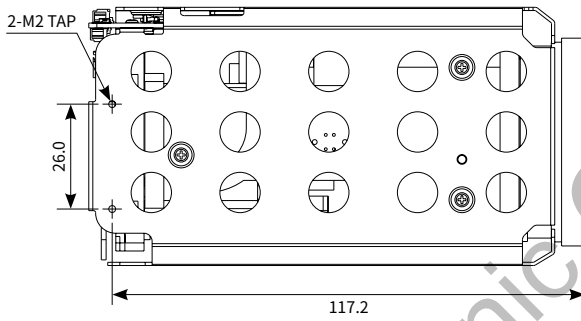
Bottom



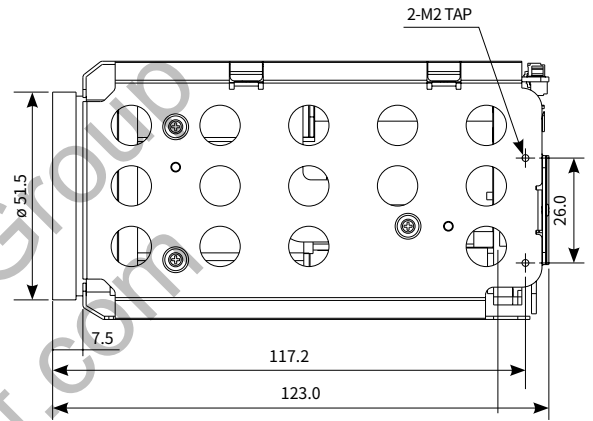
Rear



Left

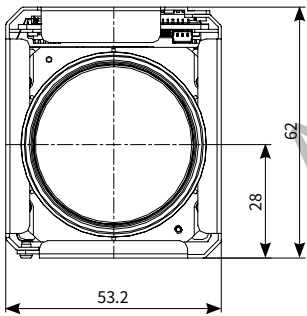


Right

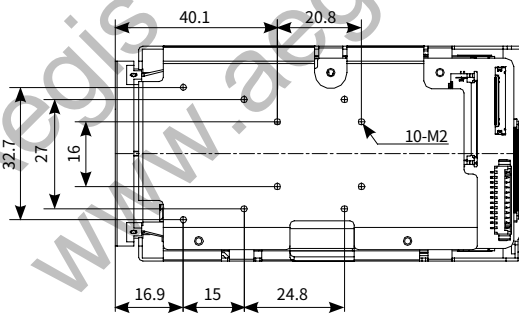


ATC-HZ5340T-LP

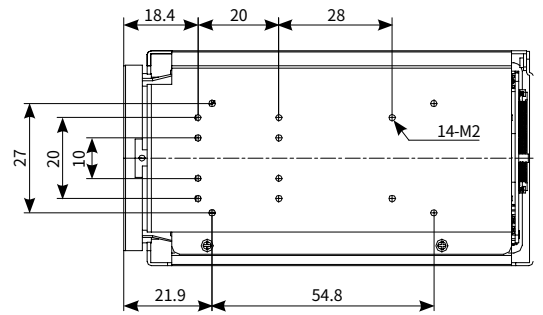
Front



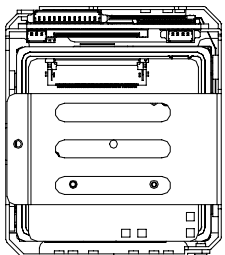
Top



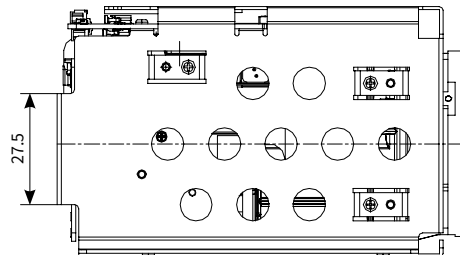
Bottom



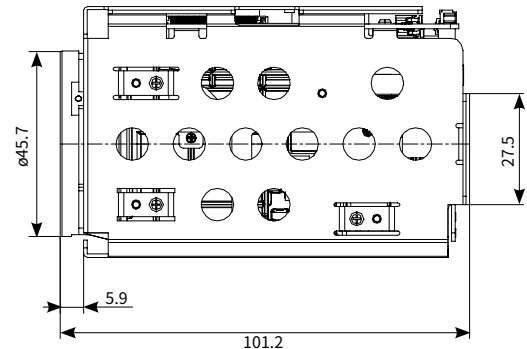
Rear



Left

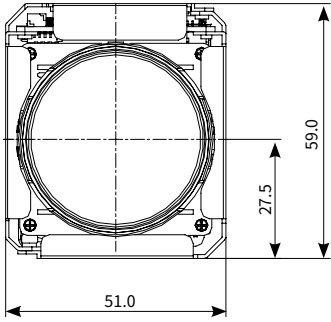


Right

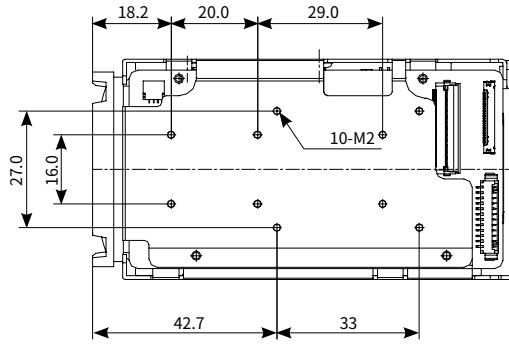


ATC-HZ5518W-LP

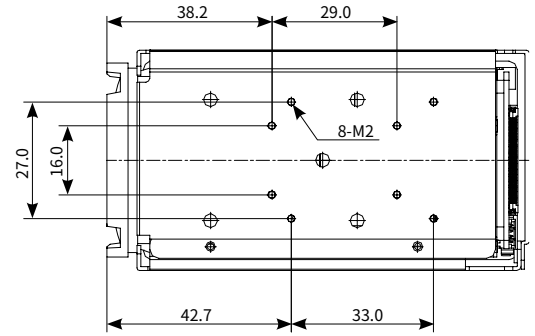
Front



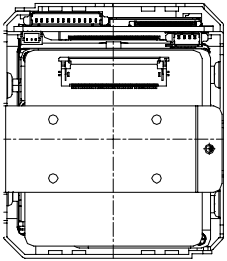
Top



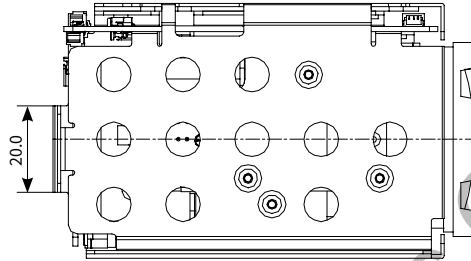
Bottom



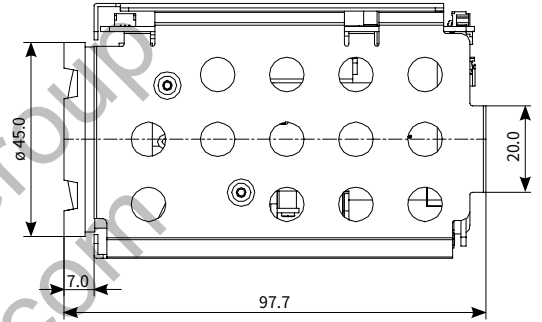
Rear



Left

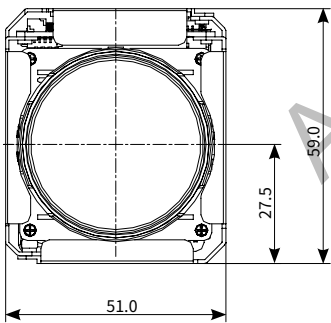


Right

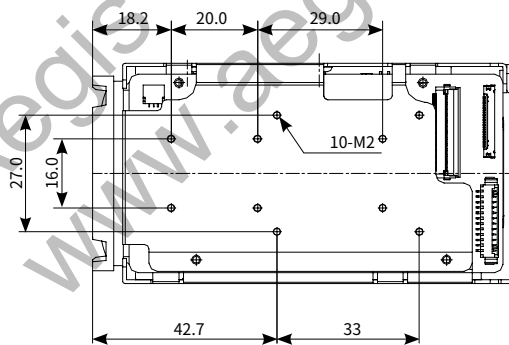


ATC-HZ5518W-U

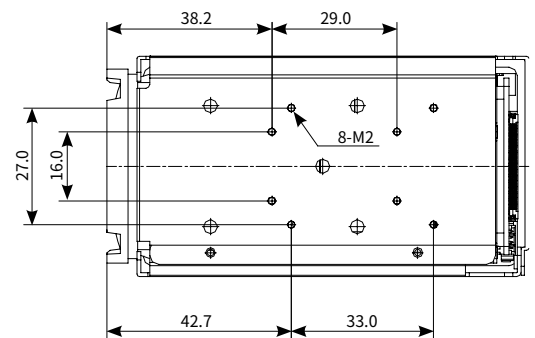
Front



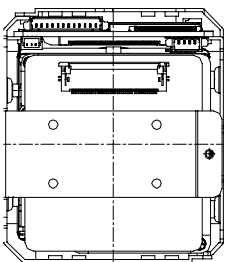
Top



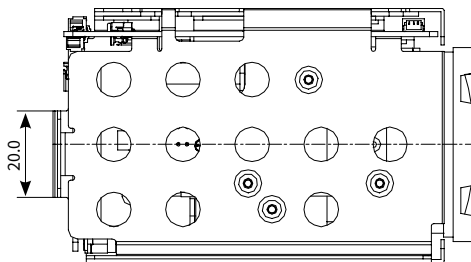
Bottom



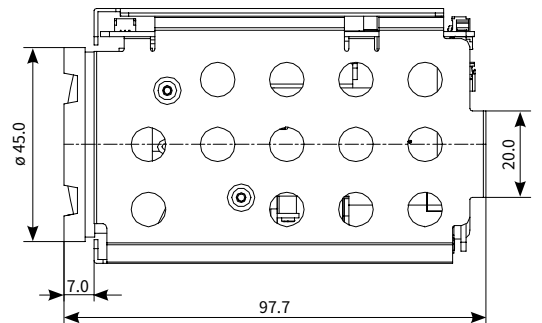
Rear



Left



Right





# MEMO

Aegis Electronic Group  
www.aegiselect.com

Aegis Electronic Group  
[www.aegiselect.com](http://www.aegiselect.com)