

Omron Sentech USB3.0 Small CMOS Camera S133 UVC Series

CMOS Camera
Small Color Camera

Features

- Plug & Play USB camera



Product Line-Up

Model	Color	STC-S133UVC-**
Resolution		1.3M
Frame Rate		60/30fps
Effective Pixels		1280 × 720/1280 × 960
Sensor Size		1/3.2
Cell Size(HxV, μm)		3.5 × 3.5
Sensor		ISX017

Line-up

Model	Monochrome/Color	Sensor Size	Mount	Specification
STC-S133UVC-BL	Color	1/3.2"	Without lens mount	IRCF, Board, Connector from side
STC-S133UVC-BLL			M12	IRCF, Board, Connector from side
STC-S133UVC-BLCS			CS	IRCF, Board, Connector from side
STC-S133UVC-DBL			Without lens mount	DPF, Board, Connector from side
STC-S133UVC-DBLL			M12	DPF, Board, Connector from side
STC-S133UVC-DBLCS			CS	DPF, Board, Connector from side
STC-S133UVC-ALL			M12	IRCF, Case, Connector from side
STC-S133UVC-ALCS			CS	IRCF, Case, Connector from side
STC-S133UVC-DALL			M12	DPF, Case, Connector from side
STC-S133UVC-DALCS			CS	DPF, Case, Connector from side

Accessories

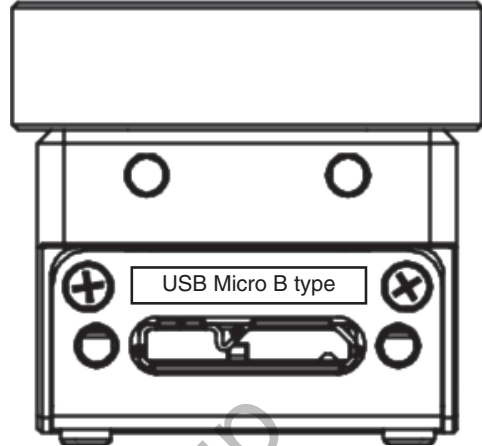
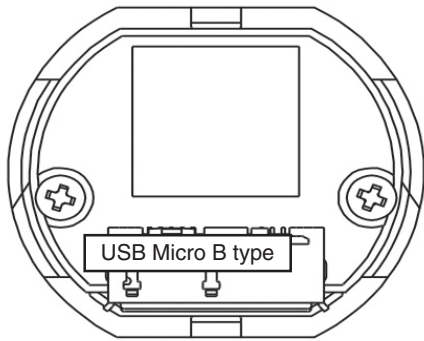
Screw Lock USB3.0 Cables		
Model	Applicable Model	Specification
NU3MBASU3S-2m	All USB3.0 Cameras	2m, USB3.0 MicroB, with camera-side fastening screws
NU3MBASU3S-3.5m	All USB3.0 Cameras	3.5m, USB3.0 MicroB, with camera-side fastening screws
NU3MBASU3B-2m	All USB3.0 Cameras	2m, USB3.0 MicroB, with camera-side fastening screws, robot cables
NU3MBASU3B-3.5m	All USB3.0 Cameras	3.5m, USB3.0 MicroB, with camera-side fastening screws, robot cables

* Please make sure that USB 3.0 cameras operate correctly under your environment beforehand.

USB 3.0 4ch Frame Grabber BoardItem No.		
Model	Applicable Model	Specification
USB3-4ch	USB 3.0 Camera	

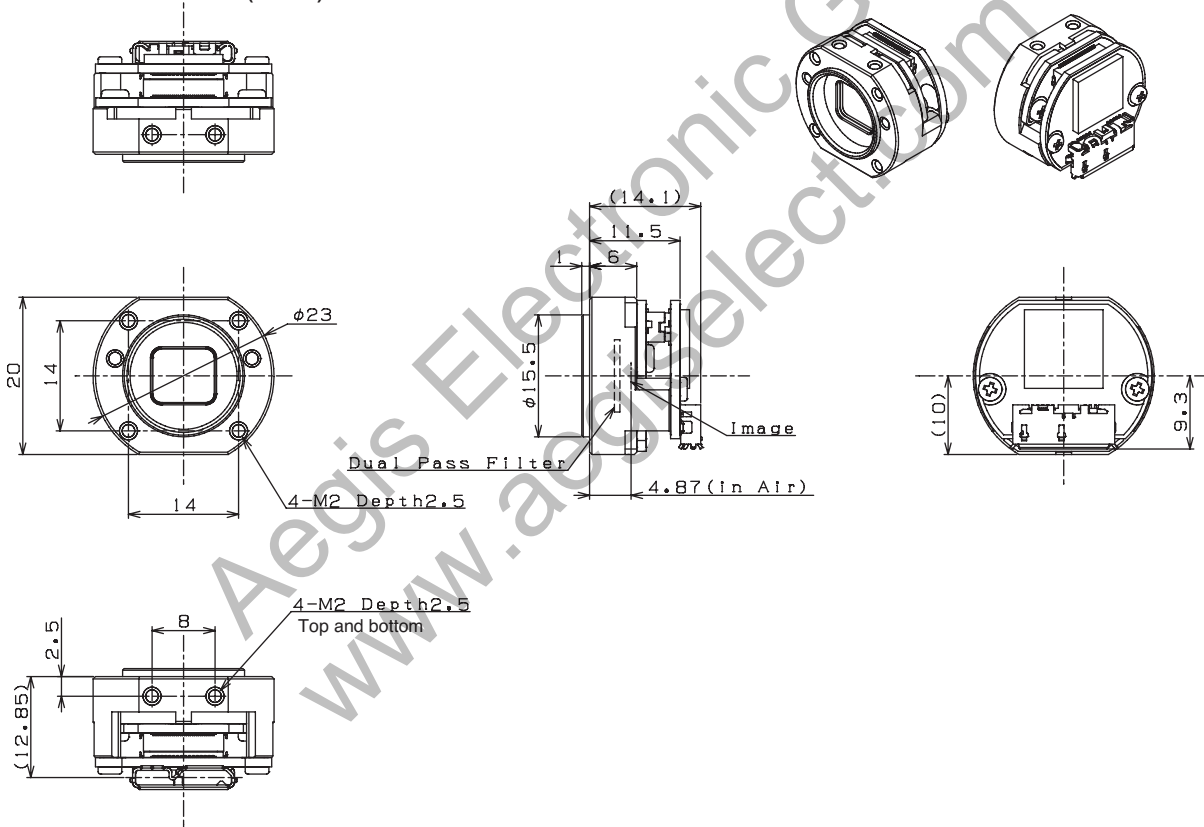
* Please make sure that USB 3.0 cameras operate correctly under your environment beforehand.

External Connector Specification

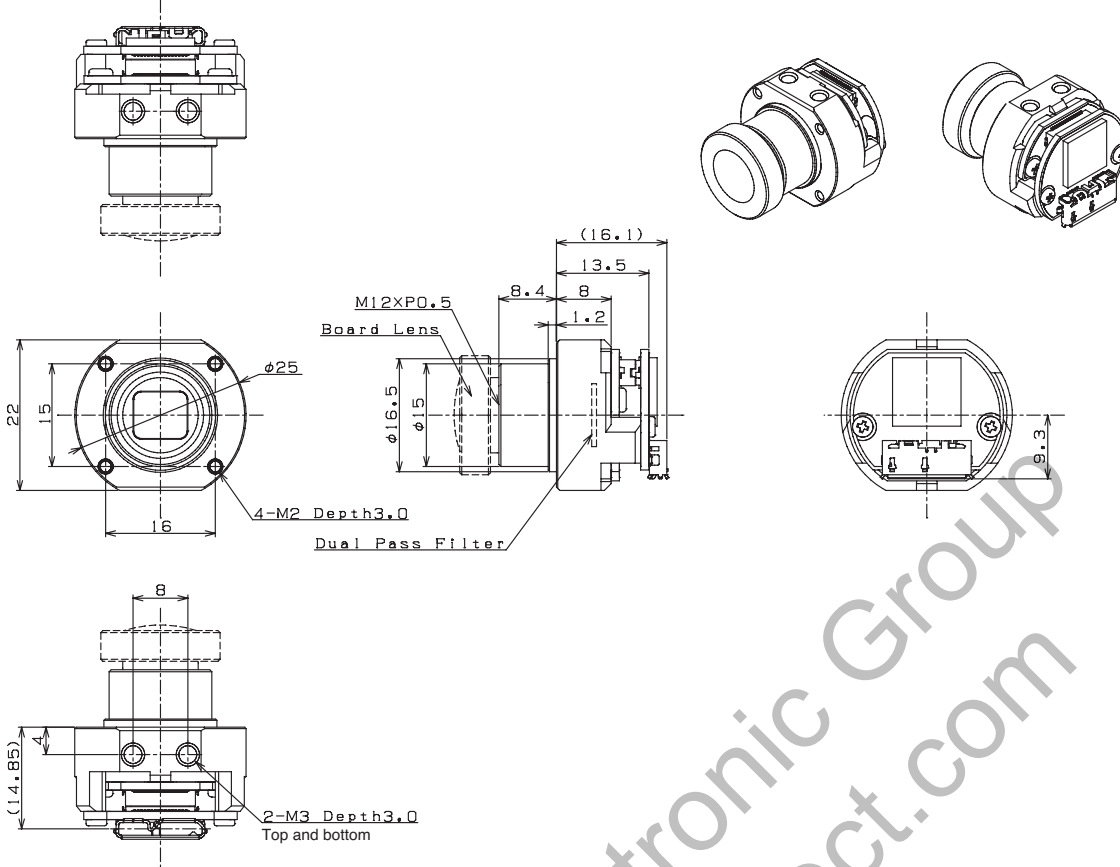


Drawing Dimension

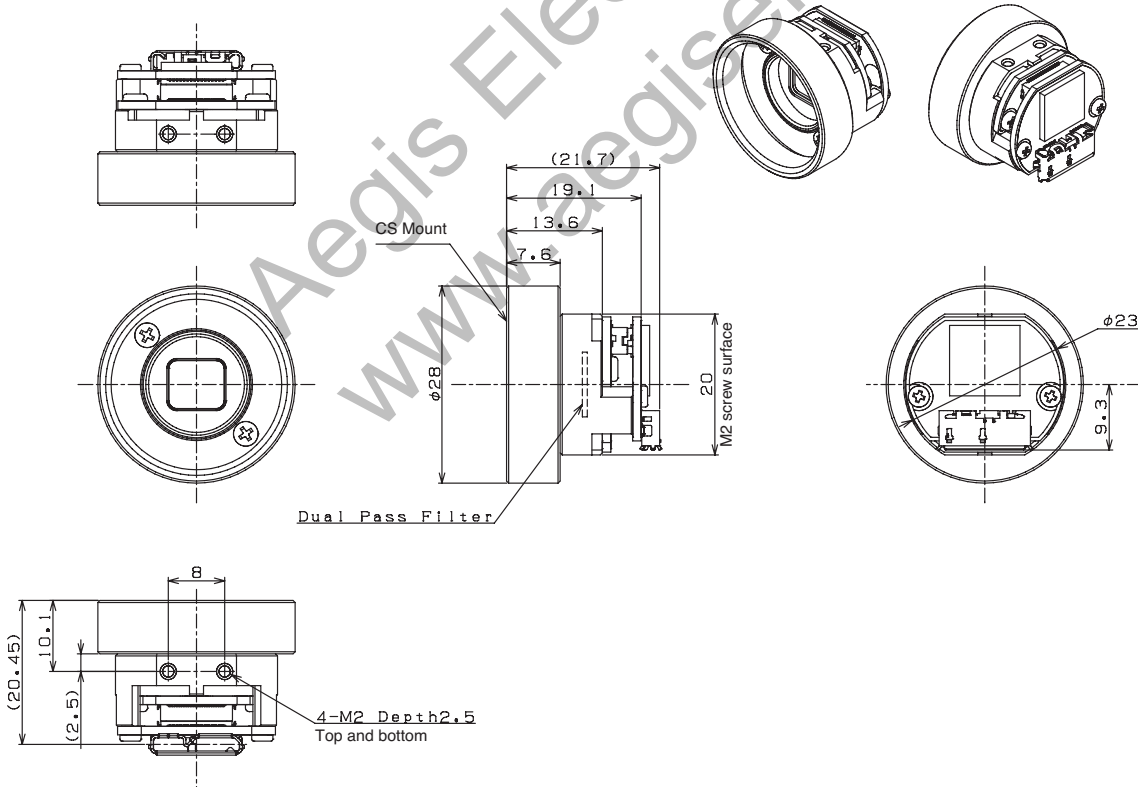
STC-S133UVC-BL (DBL)



STC-S133UVC-BLL (DBLL)

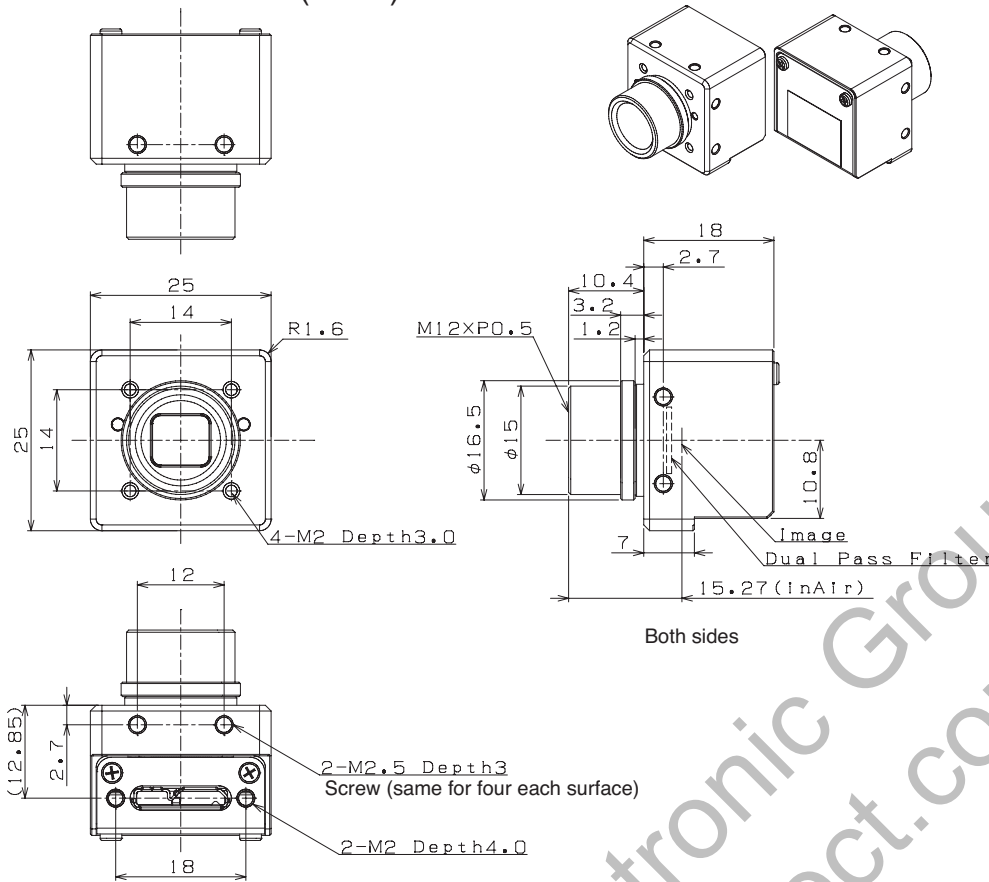


STC-S133UVC-BCLS (DBLCS)

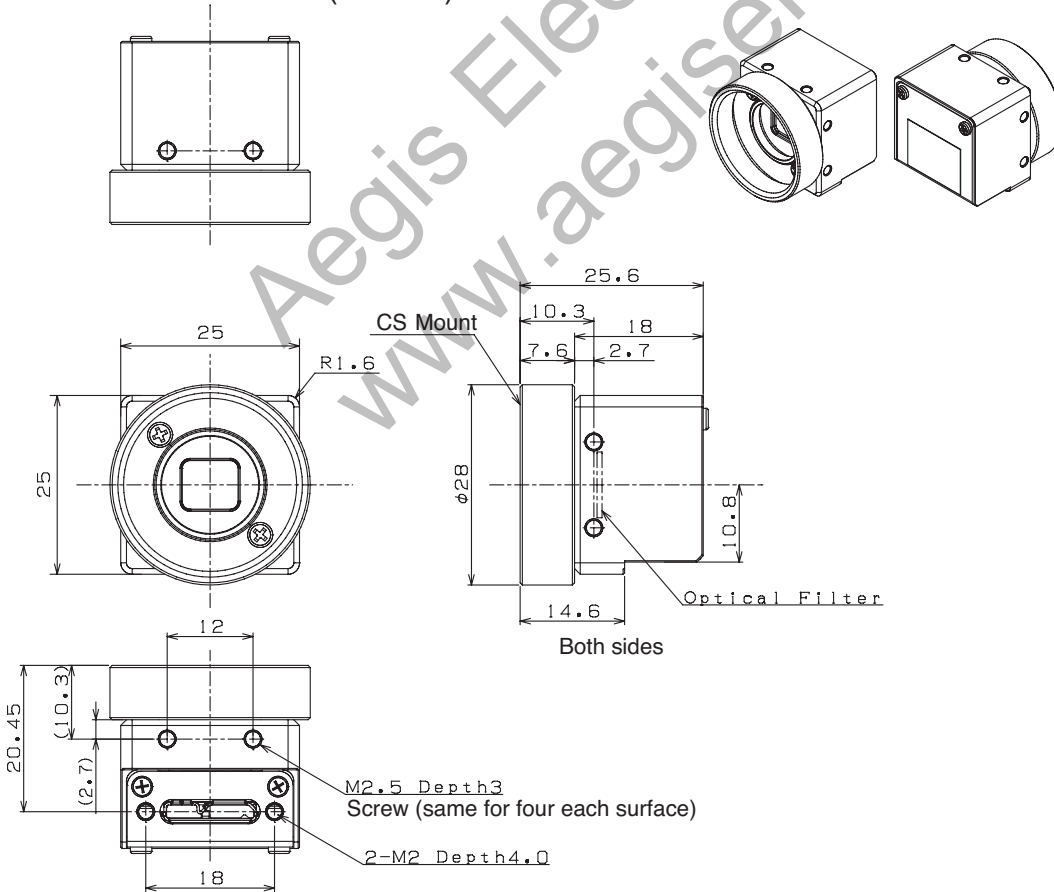


Omron Sentech USB3.0 Small CMOS Camera

STC-S133UVC-ALL (DALL)



STC-S133UVC-ALCS (DALCS)



OMRON AUTOMATION AMERICAS HEADQUARTERS • Chicago, IL USA • 847.843.7900 • 800.556.6766

OMRON CANADA, INC. • HEAD OFFICE

Toronto, ON, Canada • 416.286.6465 • 866.986.6766 • automation.omron.com

OMRON ELECTRONICS DE MEXICO • HEAD OFFICE

Ciudad de México • 52.55.5901.4300 • 01.800.386.6766 • mela@omron.com

OMRON ELECTRONICS DE MEXICO • SALES OFFICE

San Pedro Garza García, N.L. • 81.12.53.7392 • 01.800.386.6766 • mela@omron.com

OMRON ELECTRONICS DE MEXICO • SALES OFFICE

Eugenio Garza Sada, León, Gto • 01.800.386.6766 • mela@omron.com

OMRON ELETRÔNICA DO BRASIL LTDA • HEAD OFFICE

São Paulo, SP, Brasil • 55.11.2101.6300 • www.omron.com.br

OMRON ARGENTINA • SALES OFFICE

Buenos Aires, Argentina • +54.11.4521.8630 • +54.11.4523.8483
mela@omron.com

OTHER OMRON LATIN AMERICA SALES

+54.11.4521.8630 • +54.11.4523.8483 • mela@omron.com

Authorized Distributor:

This information is brought to you by:



ELECTRONIC GROUP, INC

480-635-8400 p * aegis-g2@aegiselect.com

<http://www.aegis-elec.com>

Controllers & I/O

- Machine Automation Controllers (MAC) • Motion Controllers
- Programmable Logic Controllers (PLC) • Temperature Controllers • Remote I/O

Robotics

- Industrial Robots • Mobile Robots

Operator Interfaces

- Human Machine Interface (HMI)

Motion & Drives

- Machine Automation Controllers (MAC) • Motion Controllers • Servo Systems
- Frequency Inverters

Vision, Measurement & Identification

- Vision Sensors & Systems • Measurement Sensors • Auto Identification Systems

Sensing

- Photoelectric Sensors • Fiber-Optic Sensors • Proximity Sensors
- Rotary Encoders • Ultrasonic Sensors

Safety

- Safety Light Curtains • Safety Laser Scanners • Programmable Safety Systems
- Safety Mats and Edges • Safety Door Switches • Emergency Stop Devices
- Safety Switches & Operator Controls • Safety Monitoring/Force-guided Relays

Control Components

- Power Supplies • Timers • Counters • Programmable Relays
- Digital Panel Meters • Monitoring Products

Switches & Relays

- Limit Switches • Pushbutton Switches • Electromechanical Relays
- Solid State Relays

Software

- Programming & Configuration • Runtime