

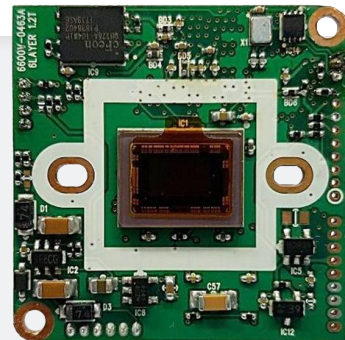


Camera Module

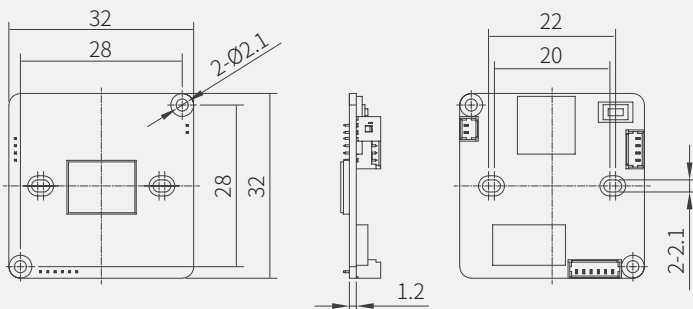
ACE-HMS6332-iB

- 1/2.8" 2.13MP Sony STARVIS CMOS
- 1080p(1920x1080)@30(25)fps
- H.264 Main/Baseline Profiles
- Fixed lens 3.6mm or Pinhole lens 4.3mm available
- Electronic Day&Night
- 3D DNR, DSS, BLC, WDR
- 12VDC / PoE(Optional)
- 2 seconds boot-up complete

Aegis Electronic Group
www.aegiselect.com



Dimensions



Camera Module

ACE-HMS6332-iB

Specifications

Image Sensor	1/2.8" Progressive Scan SONY STARVIS CMOS		Ethernet	10/100 Base-T Ethernet	
Effective Pixels	1945(H) x 1097(V)		Video Compression Format	H.264 Baseline, Main Profile, MJPEG	
Scanning	Progressive scan		Video Resolution	1920x1080, 1280x720,, 800x600, 704x480, 704x400, 640x480, 640x360, 320x240	
Min.Illumination	0.05Lux(F2.5, DSS Off) / 0.01Lux(DSS On)		Max. Frame Rate	First : 1080p 30(25)fps (H.264) Second : 640x360 30(25)fps (H.264) Third : 1080p 30(25)fps (MJPEG)	
S/N ratio	≤50dB		Streaming Capability	Multiple Streaming(Up to 3 Profiles)	
Video Output	Network	Network	Streaming Method	Unicast	
	Analog	-	Bitrate Control	H.264 : CBR, VBR, CVBR	
	Type	Fixed lens	Max.User Access	5	
Lens	Focal Length	3.6mm, F 2.0	Audio in/Out	-	
	Angle of View	-	Audio Compression Format	-	
	2.8mm	-	Audio Communication	-	
Board Lens	3.6mm	112.3 (D)x93.7 (H)x49.3 (V)	IP	IPv4	
	6.0mm	62.1 (D)x53.9 (H)x30.1 (V)	Protocol	HTTP, HTTPS, UPnP, DNS, DDNS, RTP/RTSP, TCP/IP, UDP, DHCP, RARP, NTP	
	8.0mm	44.8 (D)x39.3 (H)x22.4 (V)	Security	-	
	4.3mm	84.3 (D)x71.5 (H)x38.4 (V)	Web Viewer	Web browser	Internet Explorer, Edge, Safari, Firefox, Chrome
White Balance	Auto, 3000K, 5000K, 8000K		Language	English	
Dynamic Range	Method	Double Shutter WDR	External Storage	-	
	Level(dB)	116dB (Estimated)	SW Integration API	Onvif	
Electronic Shutter Speed	1/25(30)~1/30,000		Ingress Protection Grade	-	
Auto Gain Control(AGC)	Off~69dB		Dimension(mm)	32X32mm	
Day&Night	AUTO/COLOR/B&W (Electronic D&N)		Weight	Approx.5.65g	
Digital Slow Shutter(DSS)	OFF~ x32		Operating Temperature	-10°C~+50°C	
Noise Reduction	2D, 3D DNR		Storage Temperature	-20°C~+60°C	
Motion Detection	60x34 Motion Block, upto 4 Zones		Vandal Resistance	-	
Privacy Masking Zone	16 Zones		Supply Voltage	12VDC(±10%) , PoE(IEEE802.3af)	
Image Rotation	-		Power Consumption	12VDC(Max.190mA), PoE (Max.3.0W)	
Image Stabilization(DIS)	-				
Defog	-				
	Alarm In/Out	-			
Alarm	Alarm riggers	Motion			
	Alarm Events	Network			