

TV Format Color Camera S133N-B Series



Description

1/3.2" 0.65 Mpix TV format color CMOS camera

Features

DC jack type and terminal block type for power input

Product Line-up

Model	Monochrome/Color	Resolution	Video Format	Effective Pixels (H x V)	Sensor Size	Cell Size (µm)	Sensor	Lens Mount	General Specifications
STC-S133N-B *	Color	0.65M	NTSC	1280 × 486	1/3.2"	3.5 × 3.5	ISX017	CS	Output: BNC
STC-S133P-B *	Color	0.65M	PAL	1211 × 576	1/3.2"	3.5 × 3.5	ISX017	CS	Output: BNC

* Select a model from the Line-up list below when ordering.

Accessories

Mount Conversion Adapter		
Model	Applicable Model	General Specifications
CS-C-R	CS-Mount Model	

Remote Control Unit		
Model	Applicable Model	General Specifications
RC-S133B	S133N-B Series	

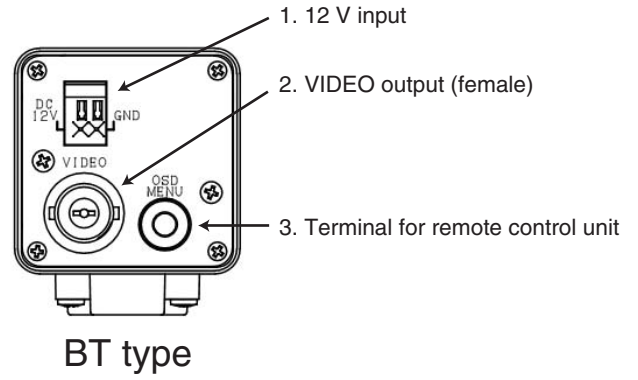
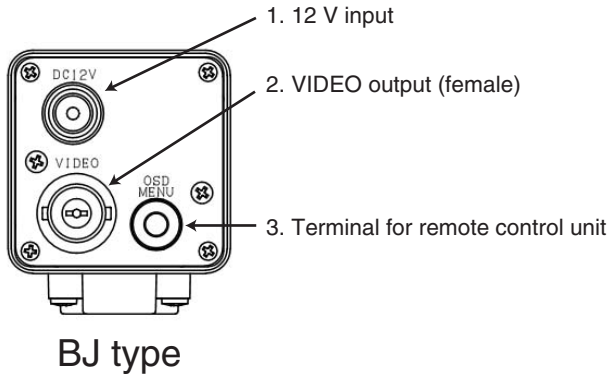
Note. Ask your Omron representative about AC adapter.

Line-up

Model	Monochrome/Color	Sensor Size	Lens Mount	Video Format	General Specifications
STC-S133N-BJ	Color	1/3.2	CS	NTSC	Case, output: BNC
STC-S133P-BJ				PAL	
STC-S133N-BT				NTSC	
STC-S133P-BT				PAL	

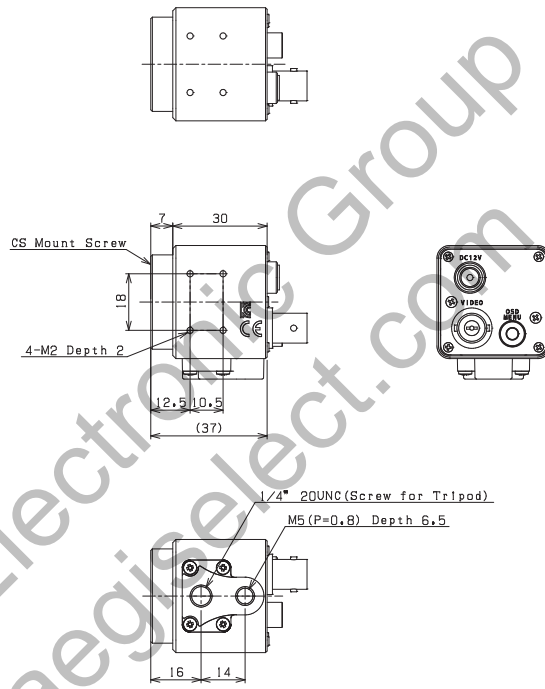
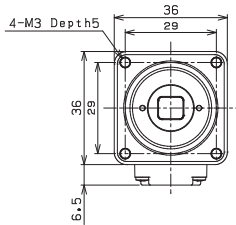
Color TV Format

External Connector Specification



Drawing dimension

BJ type



BT type

