



SL940 Telephoto Day/Night 4K Compatible Megapixel Lens



9mm



40mm

- ✓ 9-40mm for long reach and field of view optimization
- ✓ Supports **multi megapixel resolution** cameras for demanding applications of five megapixels or more
- ✓ Compact design to fit into domes as small as 4" mini-dome size
- ✓ IR corrected for true **Day/Night** cameras
- ✓ CS-mount with **slip ring** for ease of installation and positioning
- ✓ For 1/3", 1/2.7" HD, 1/2.5" and 1/2.3" 4K* sensors
- ✓ Designed with DC auto-iris, P-iris (precise iris) and manual iris versions

Lenses	SL940A DC-autoiris	SL940P P-iris	SL940M Manual iris
Focal length	9-40mm		
Resolution	5+ megapixel		
F/#	F/1.5 to close		
IR Correction	Day/Night		
Mount	CS		
Lens length	<50mm		
Minimum focal distance	2.5m - infinity		
Iris cable length	30cm	N/A	
Operating temperature	-20C to 60C (<70% humidity, non-condensing)		
Storage temperature	-30C to 70C (<90% humidity, non-condensing)		
CS mount slip range	320°		

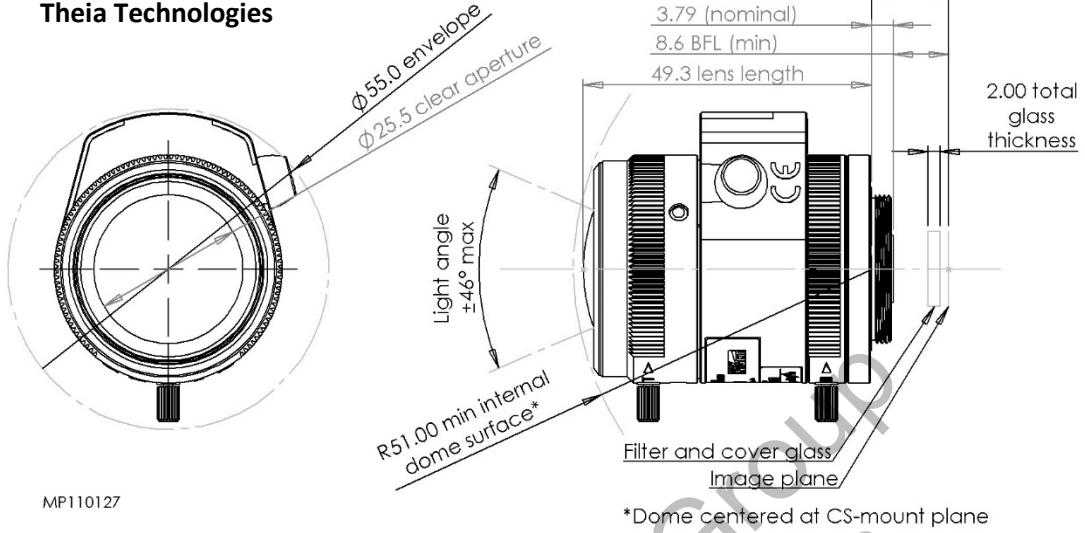
Sensor size	1/3"	1/2.7" HD	1/2.5"	1/2.3" 4K*
Field of view (H)	30° - 7.1°	37° - 8.6°	36° - 8.5°	39° - 9.2°
Field of view (V)	22° - 5.3°	20° - 4.8°	27° - 6.3°	19° - 4.6°
Field of view (D)	38° - 8.8°	42° - 9.9°	46° - 10.6°	44° - 10°

* 4k format = 4000 x 2000 pixels

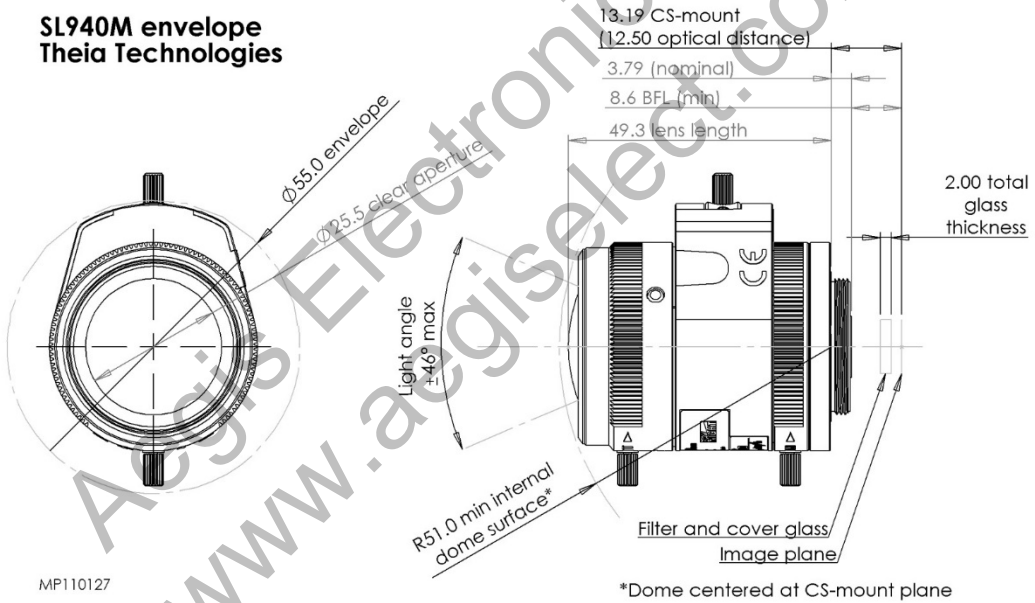
SL940 family



**SL940A/ SL940P envelope
Theia Technologies**



**SL940M envelope
Theia Technologies**



P-iris motor specification

Applicable model: SL940P

Drive	Stepper motor 2 phase bipolar drive	P-iris: open->close				
Operating voltage	4V (2.7~5.0V)	Step	A+	A-	B+	B-
Number of steps	Step 1: stop Step 2: Full open Step 72: Full close Step 75: stop	0	H	L	H	L
Basic step angle	18°	1	L	H	H	L
Maximum response freq.	200 pps	2	L	H	L	H
Coil resistance	30Ω ±10% (each phase)	3	H	L	L	H
Connector type 2	CCTV	Pin	Function			
Connector type	Housing: EYC 221	1	B+			
Cable length	300mm	2	A+			
		3	A-			
		4	B-			

Step	Aperture Size [mm2]	F/#
1	95.0	1.54
5	90.8	1.54
10	82.1	1.61
15	72.8	1.71
20	63.4	1.83
25	54.0	1.98
30	44.9	2.17
35	36.0	2.42

Step	Aperture Size [mm2]	F/#
40	27.7	2.76
45	20.0	3.24
50	13.2	3.98
55	7.5	5.30
60	3.1	8.20
65	0.8	15.71
70	0.1	56.29
72	0.0	Closed

