



## ML183 Varifocal Ultra wide No Distortion 5 Megapixel Lens



Typical wide angle lens



### LINEAR OPTICAL TECHNOLOGY

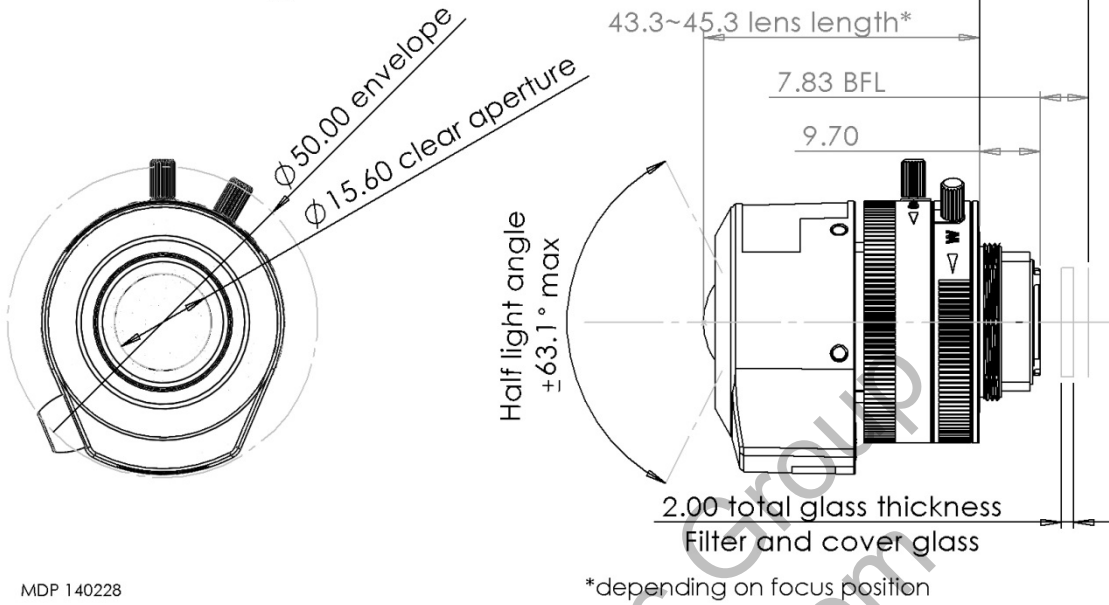
- ✓ Patented Linear Optical Technology® provides **ultra wide** field of view adjustable from 115° to 77° for greater coverage with fewer cameras
- ✓ **EasyZoom™** allows the user to optimize the field of view with minimal need for refocusing
- ✓ IR corrected from UV (435nm) to IR (850nm)
- ✓ Supports **multi megapixel resolution** cameras for demanding applications

Lenses	ML183A DC-autoiris	ML183M Manual iris
Focal length	1.8-3.0mm	
Linear Optical Technology®	Yes <i>(Note: this technology causes the image to be flipped)</i>	
Distortion	<1%	
Resolution	Up to 5MPix resolution	
F/#	F/1.8 to close	
IR Correction	435-850nm, <10um focal plane shift	
EasyZoom™	Yes	
Mount	C mount	
Minimum focus distance	30cm	
Pan focus	.5m ~ ∞	
Temperature range	-20C to 60C	
Iris cable length	30cm	N/A

Sensor size	1/3"	1/2.7" HD	1/2.5"
Field of view (H)	105° - 77°	111° - 84°	115° - 88°
Field of view (V)	90° - 62°	95° - 68°	99° - 71°
Field of view (D)	117° - 90°	123° - 96°	126° - 100°

R200106

**ML183A drawing  
Theia Technologies**



**ML183M drawing  
Theia Technologies**

