

ATC-HZ7810C-TNB3



Features

- 1/2.8" SONY EXMOR R Progressive Scan CMOS
- 120x AF Zoom (10x Optical Zoom, 12x Digital Zoom)
- 1080P 30fps(25fps)
- Mechanical Day & Night
- Digital WDR, 3D DNR, Defog
- Multi Protocol(Compatible with SONY)
- HD-TVI, CVBS, RS232 TTL

Electrical Specifications

Image Sensor	1/2.8" Exmor R CMOS image sensor
Effective Pixels	2.13 million pixels
Resolution	1080P (1920x1080)
Sensitivity (DSS off, AGC off)	Day Mode :0.05 Lux @ F1.6 Night Mode :0.03 Lux @ F1.6
S/N Rate	More than 52 dB
Synchronization	Internal
Back Light Compensation	OFF/BLC/HLC/WDR
White Balance	Auto / ATW / Indoor / Outdoor / Push / Manual
Shutter Speed	1/25(30)/1/50(60) ~ 1/30000 sec
OSD	English / Japanese / Russian / Spanish / German /France/ Portuguese / Chinese
Motion Detection	4 Area
Privacy Zone Masking	16 Privacy mask zone
Picture Effects	Freeze, Image Reverse(H, V, H/V), Nega
Camera Control Protocol	SONY VISCA, Baud Rate : 9.6 Kbps
Video Output	HD-TVI CVBS 1Vp-p (75 Ω)
Power Supply	12VDC (7V to 15VDC)
Power Consumption	220mA (350mA motor on) Max 4.2 W

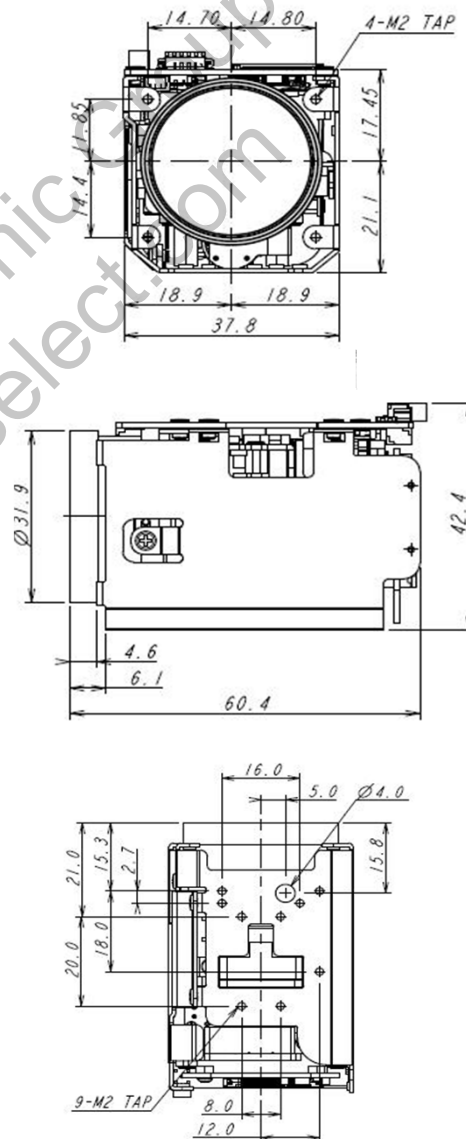
Mechanical Specifications

Dimensions (WxHxD)	37.8mm x 38.55mm x 60.40mm
Lens	f=5.1mm ~ 51mm (F1.6 ~ 19F)
Zoom Rate	Optical to 10x Digital to 12x
Min. Working Distance	0.01m(Wide) / 1.0m (Tele)
FOV	D=68.0°(W) ~ 6.7°(T)
Aperture	DC Iris
Mechanical D&N	ICR(IR Cut filter Removable)
Weight	Approx. 102g

Environmental Specifications (Internal)

Ambient Operating Temp.	-10° to +50° C
Storage Temperature	-20° to +60° C

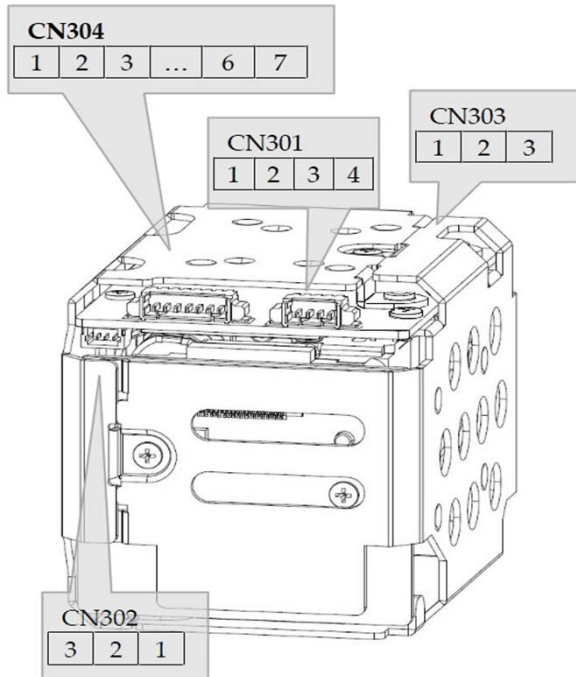
Dimensions(Unit:mm)



ATC-HZ7810C-TNB3

AF Zoom Camera

Pin Assignment



CN301 (CVBS) / 53261-0471

NO	Name	Description
1	POWER IN	+12V IN
2	GND	
3	VIDEO	CVBS OUTPUT
4	AD_KEY	AD_KEY

CN302 (RS-232 TTL) / JST : SM03B-SRSS-TB

NO	Name	Description
1	GND	
2	RXD	5.0V (compatible 3.3V)
3	TXD	5.0V (compatible 3.3V)

CN303 (External D&N) / JST : SM03B-SRSS-TB

NO	Name	Description
1	Ext_D&N	External D&N Input
2	GND	
3	+3.3V	+3.3V Out (For Sensor)

CN304 (1.25mm Header)

Molex : 53261-0771

NO	Name	Description
1	DC_IN	+12V DC
2	GND	
3	TXD	5.0V (compatible 3.3V)
4	RXD	5.0V (compatible 3.3V)
5	TVI_OUT	HD-TVI Video Output
6	GND	
7	CVBS	CVBS Output

* Updated on 4/30/18