

2.3MP GigE Vision Camera CMOS Global Shutter

High Performance 2.3MP CMOS

STC-SBS231POE 【Mono】

STC-SCS231POE 【Color】

Sentech has released the brand new 2.3 MP GigE Vision camera. This camera features the highly anticipated Sony Pregius Sensor. Featuring a 2.3 MP Sensor, 41 FPS, and all the features of the Pregius Sensor, this camera is an extremely high performing camera with an affordable price.



Pregius



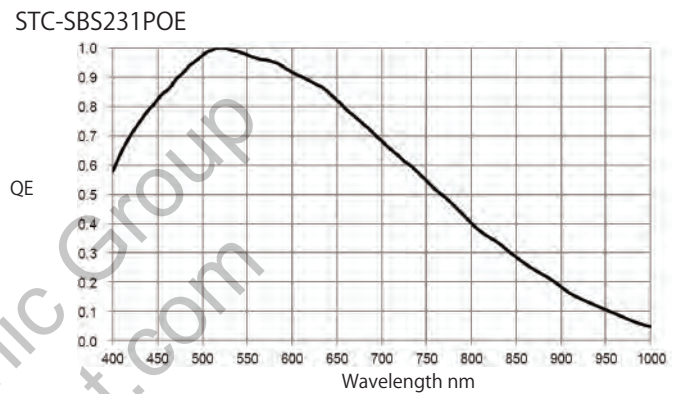
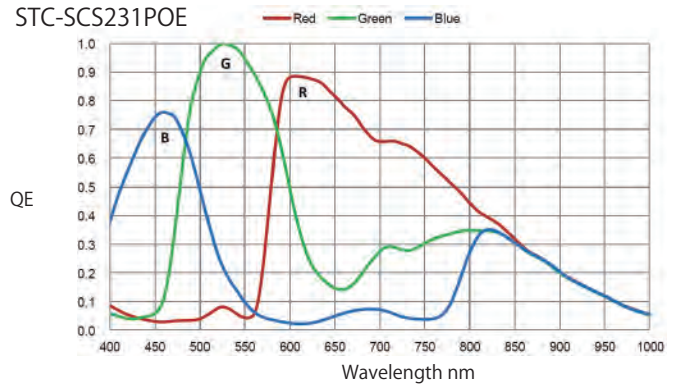
Features

- 1920 (H) x 1200 (V)
- 5.86 μm x 5.86 μm
- 41.6fps
- 1/1.2" Sensor
- GigE Vision Compliant
- Global Shutter
- PoE / 6 Pin Connector
- 35 x 35 x 53.4 mm (Excluding connectors)

Specifications

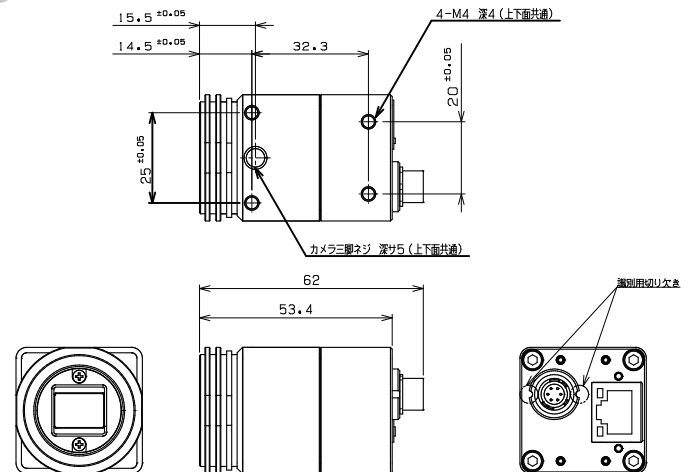
Product Name	: STC-SCS231POE (Color) STC-SBS231POE (Mono)
Imager	: 1/1.2" CMOS (SONY IMX249)
Shutter Type	: Global Shutter
Effective Pixels	: 1920 (H) x 1200 (V)
Cell Size	: 5.86 (H) x 5.86 (V) μm
Scanning Method	: Progressive
Scan Mode	: Full Scan
Frame Rate	: 41.6fps (8bit / 10bit) 32.4fps (12bit)
Video Output	: 8/10/12 bit Raw Data、RGB 8 bit (Color) 8/10/12 bit Raw Data (Mono)
S/N Ratio	: 1.3 digit 以下 at 8 bit (Gain 0 dB)
Sensitivity (Typ.)	: 1 Lux 以下 at F1.2 (Color) 4.8 Lux at F1.2 (Mono)
ALC	: Auto Shutter / Auto Gain / Manual
Electronic Shutter	: 10 μsec ~ 16,777,215 μsec
Gain	: 0 ~ 24dB
ROI	: Supported
Binning	: Not Supported
Decimation	: Supported
Mirror Image	: Mirror / Upside-Down / Up, Down, Left, Right Reversal
Pixel Defect	: Supported (Up to 60 pixels)
Correction	
White Balance	: Auto / Push-to-Set / Manual (Color only)
Operating Mode	: Free-run / Edge Preset Trigger / Pulse Width Trigger
Interface	: IEEE802.3 (1000BASE-T)
Protocol	: GigE Vision [®] 1.2 and GenCam [™] 1.4 compliant
Gamma	: 1.0 (writeable gamma table)
Color Interpolation	: Supported (Color only)
Communication	: Ethernet port via UART
I / O Connector	: 1 input (opt isolated) / 2 output (3.3V LVTTTL)
Input Voltage	: +10.8 ~ +26.4 Vdc
Consumption	: TBD
Dimensions	: 35 (W) x 35 (H) x 53.7(D) mm (Color - excluding connectors) 35 (W) x 35 (H) x 53.4(D) mm (Mono - excluding connectors)
Optical Filter	: IR Cut Filter (Color only)
Lens Mount	: C Mount
External Connector	: RJ45 connector
Power Connector	: HR10A-7R-6PB (Hirose) or equivalent
Mounting	: 1/4" tripod mounting screw holes (one on the upper and lower surfaces)
M4 Screw Holes	: 4 each in upper and lower surfaces, two on both sides.
Weight	: Approx. 100g
Compliance	: RoHS Compliant

Spectral Response



Drawings

STC-SBS231POE



※ Pregius is a trademark of the Sony Corporation.

※ Specifications are subject to change without notice.