

# H10Z1218M

**10X 12mm - 120mm F1.8**  
**for 1/2 type Cameras, Motorized Zoom**  
**C-Mount**

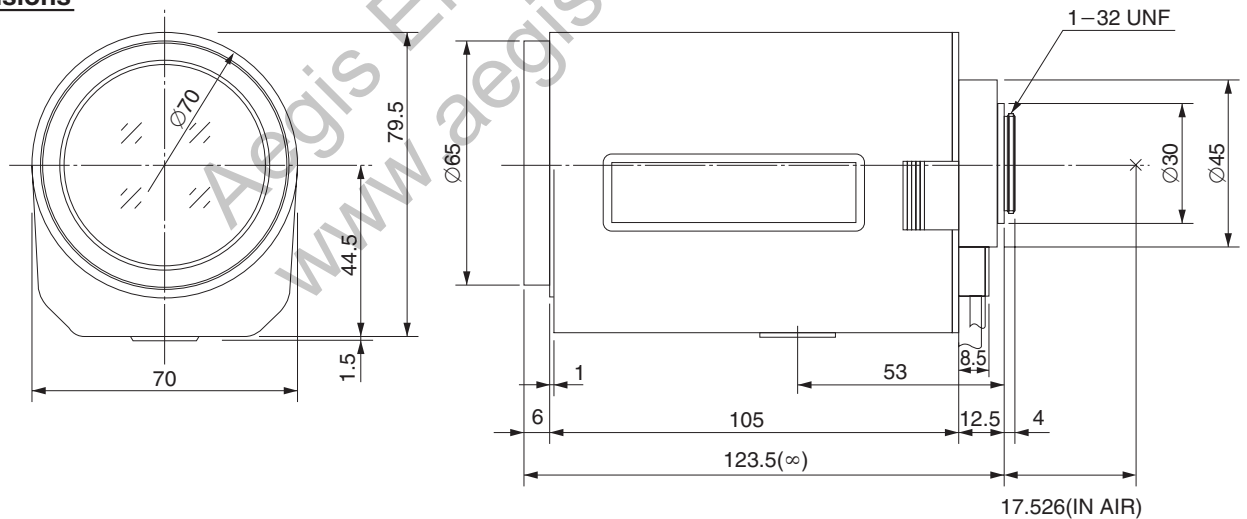
Model No.	H10Z1218M		Effective	Front	Ø54.0mm			
Focal Length	12mm - 120mm		Lens Aperture	Rear	Ø9.2mm			
Max. Aperture Ratio	1:1.8		Back Focal Length	14.4mm				
Max. Image Format	6.4mm x 4.8mm(Ø8mm)		Flange Back Length	17.526mm				
Operation Range	Iris	F1.8 - F22C		Mount	C-Mount			
	Focus	1.5m - Inf.		Filter Size	M62 P=0.75mm			
	Zoom	12mm - 120mm		Tripod Screw	1/4 - 20UNC			
Control	Iris	Motorized		Dimensions	W70mm x H81mm x D123.5mm			
	Focus	Motorized		Weight	635g			
	Zoom	Motorized						
Object Dimension at M.O.D.	12mm	78.7cm x 58.9cm						
	120mm	8.1cm x 6cm						
Angle of View	D	1/2 type	36.4° - 3.8°	1/3 type	27.6° - 2.9°	1/4 type	20.8° - 2.1°	
	H		29.4° - 3.1°				22.2° - 2.3°	16.7° - 1.7°
	V		22.2° - 2.3°				16.7° - 1.7°	12.5° - 1.3°
		Iris		Focus		Zoom		
Supply Voltage	DC8V		DC8V		DC8V			
Current	20mA or less		40mA or less		35mA or less			
Response Time	Approx. 2.5 sec.		Approx. 4.5 sec.		Approx. 3.5 sec.			
Preset Potentiometer	—		—		—			
Operating Temperature	-10°C - +50°C							

1/2  
type

C

M.O.D. : Minimum Object Distance

## Dimensions



## Wiring Diagram

