

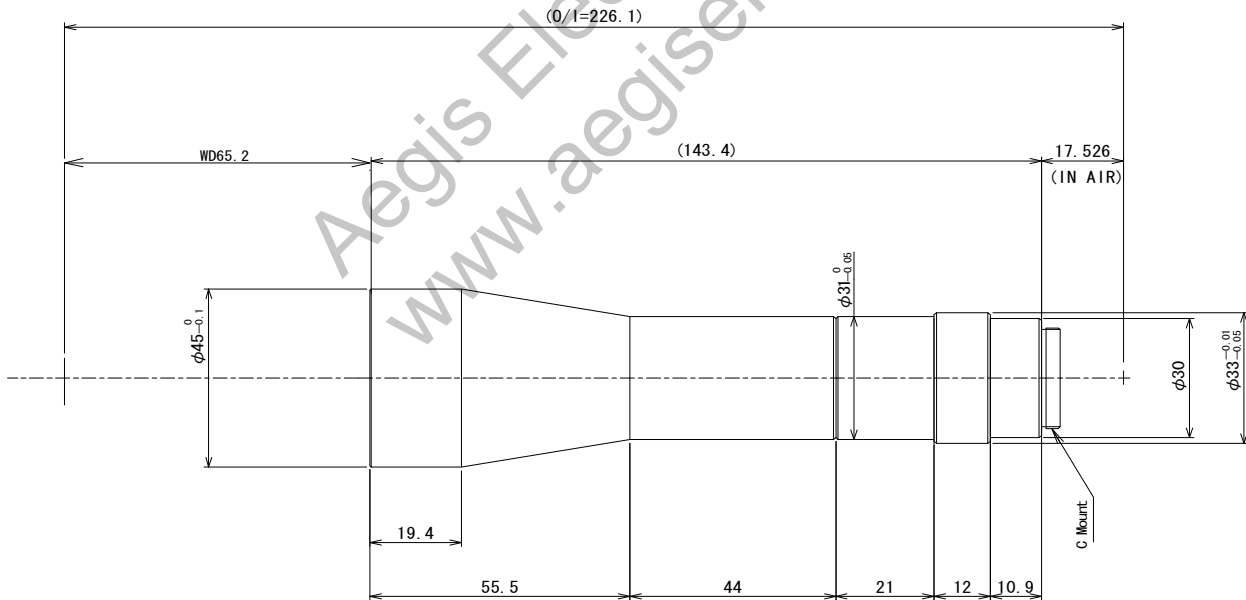
TEC-V0565MPW

Magnification 0.5X, WD65mm
for 1 inch type Cameras, 5 Megapixel Telecentric Lens
C-Mount, Straight type

Model No.	TEC-V0565MPW		NA	0.027
Magnification	0.5X	TV Distortion	1 type	-0.014%
Working Distance	65.2mm	Back Focal Length	17.0mm	
Effective F Number	9.0	Flange Back Length	17.526mm	
Max. Image Format	φ 16mm	Mount	C-Mount	
Control	Iris	-	Filter Size	-
	Focus	-		
Field of View	25.6mm(H) x 19.2mm(V) 1"		Dimensions	φ 45mm x 143.4mm
Resolving Power *1	12.0μm	Weight	189g	
Depth of Field *2	2.88mm	Operating Temperature	-10°C - +50°C	

*1:Theoretical resolution calculated with a wavelength of 550nm
 *2:Value calculated with a permissible circle of confusion of 40 μ m

Dimensions



Field of View at Sensor Size

Format	Field of View(HxV)
1"	25.6 x 19.2mm
2/3"	17.6 x 13.2mm
1/1.8"	14.4 x 10.8mm
1/2"	12.8 x 9.6mm