

This information is brought to you by:



M7528-MP

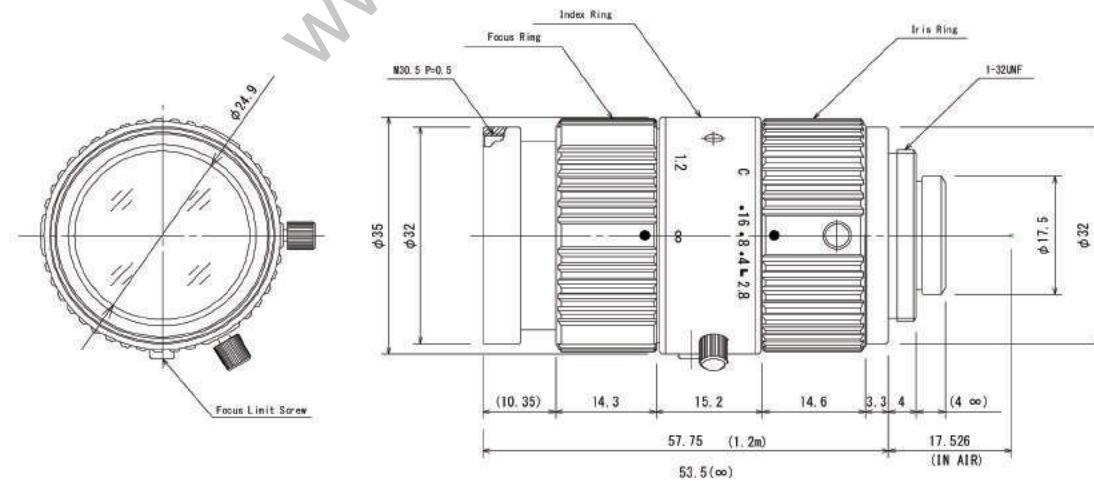
f=75mm F/2.8
for 2/3 type Megapixel Cameras
C-Mount

Model No.	M7528-MP		Effective	Front	φ 24.8mm		
Focal Length	75mm		Lens Aperture	Rear	φ 13.6mm		
Max. Aperture Ratio	1:2.8		Distortion	2/3 type	-0.43%(y=5.5)		
Max. Image Format	8.8mm x 6.6mm(φ 11mm)			1/2 type	-0.22%(y=4.0)		
Operation Range	Iris	F2.8 - F16C	Back Focal Length	21.5mm			
	Focus	0.3m - Inf. (※)	Flange Back Length	17.526mm			
Control	Iris	Manual	Mount	C-Mount			
	Focus	Manual	Filter Size	M30.5 P=0.5mm			
Object Dimension at M.O.D	2/3 type	4.1cm x 3.1cm	Dimensions	φ 35mm x 57.75mm			
	1/2 type	3cm x 2.2cm	Weight	113g			
Angle of View	D	2/3 type	1/2 type	8.5°	6.2°		
				6.8°			5°
				5.1°			
H							
V							
Operating Temperature	-10°C - +50°C						

(※) Factory Setting is 0.3 - 1.2m. Focus can be adjusted to infinity by removing "Focus Limit Screw"

M.O.D : Minimum Object Distance

Dimensions



Specifications are subject to change without notice.