

This information is brought to you by:



## M3514-MP

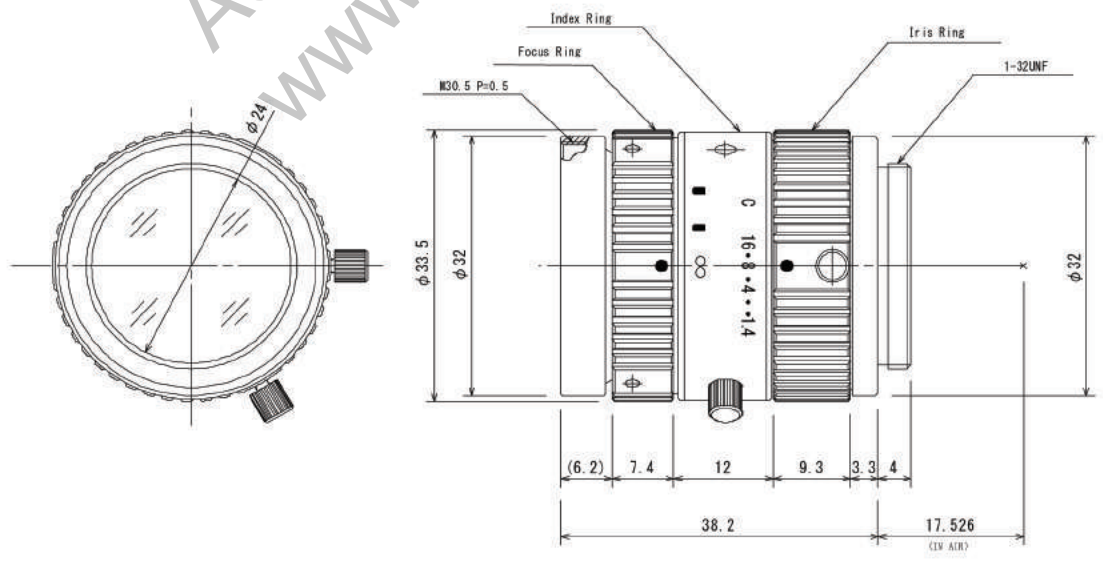


f=35mm F1.4  
for 2/3 type Megapixel Cameras  
C-Mount

Model No.	M3514-MP		Effective	Front	φ 24mm
Focal Length	35mm		Lens Aperture	Rear	φ 12mm
Max. Aperture Ratio	1:1.4		Distortion	2/3 type	-0.8%(γ=5.5)
Max. Image Format	8.8mm x 6.6mm(φ 11mm)			1/2 type	-0.39%(γ=4.0)
Operation Range	Iris	F1.4 - F16C	Back Focal Length	17.1mm	
	Focus	0.3m - Inf.	Flange Back Length	17.526mm	
Control	Iris	Manual	Mount	C-Mount	
	Focus	Manual	Filter Size	M30.5 P=0.5mm	
Object Dimension at M.O.D	2/3 type	8.1cm x 6cm	Dimensions	φ 33.5mm x 38.2mm	
	1/2 type	5.9cm x 4.4cm	Weight	87g	
Angle of View	D	2/3 type	1/2 type	D	17.3°
				H	13.9°
				V	10.4°
Operating Temperature		-10°C - +50°C		H	12.6°
				V	10.1°
					7.6°

M.O.D : Minimum Object Distance

### Dimensions



Specifications are subject to change without notice.