



ELECTRONIC GROUP, INC
 480-635-8400 p * aegis-g2@aegiselect.com
 http://www.aegis-elec.com

VZ-22CME

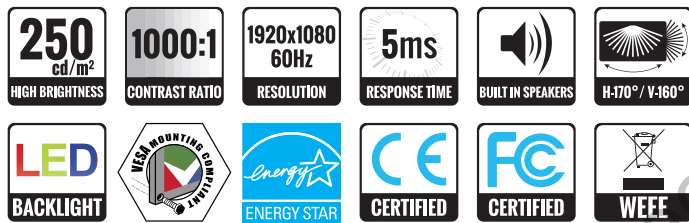
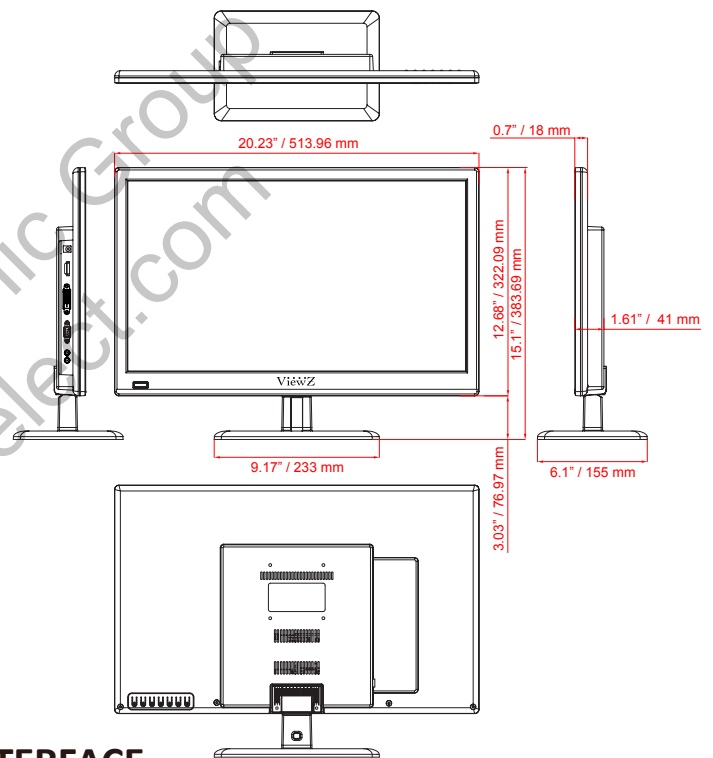
ECONOMIC LED CCTV MONITOR



VZ-22CME ADVANTAGES

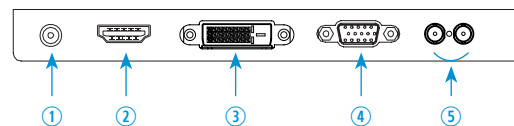
- 21.5" Full HD Resolution
- 40% Lower Power Consumption
- HDMI, DVI, VGA
- Built-in Speakers
- 3-Year Warranty

DIMENSIONS



MODEL #		VZ-22CME
VIDEO		
Screen Size	21.5"	
Max. Resolution	1920 x 1080 @60Hz	
Pixel Pitch	0.2482 mm x 0.2482 mm	
Brightness	250cd/m ² (Typical)	
Contrast Ratio	1000:1	
Aspect Ratio	16 : 9	
Viewing Angle (H/V)	170° / 160°	
Display Color	16.7 Million	
Response Time	< 5ms	
Video System	NTSC / PAL	
Frequency (H)	30 ~ 80 kHz	
Frequency (V)	56 ~ 75 Hz	
INTERFACE		
HDMI In	1	
DVI In	1	
VGA In (15Pin D-Sub)	1	
Audio In / Out	1 / 1	
AUDIO		
Built in speaker	2.5W X2	
SPECIAL FEATURES		
Language	English, Deutsch, French, Spanish, Italian	
DIMENSIONS & WEIGHT		
Outline Dimension (W x H x D)	20.23" x 15.1" x 1.61" 513.96 mm x 383.69 mm x 41 mm	
Net Weight / Gross Weight	7.71 lbs (3.5kg) / 9.03 lbs (4.1kg)	
MOUNT		
VESA	75mm x 75mm	
GENERAL		
Power	Electrical Ratings	DC 12V, 3A (AC 100-240V, 50/60Hz)
	Consumption	≤ 23 W
Operating Temperature Humidity		14 ~ 122°F / -10 ~ 50°C 20 ~ 70% RH
Regulations		FCC(A), CE, Energy Star, WEEE
Compatible Mounts	WALL	VZ-WM05, VZ-WM11, VZ-AM01, VZ-AM02
	CEILING	VZ-CM06W/B, VZ-CM18W/B, VZ-CMKIT-01
	RACK	VZ-RMK08

INTERFACE



1. DC12V IN
2. HDMI IN
3. DVI IN
4. VGA IN
5. AUDIO IN / OUT