

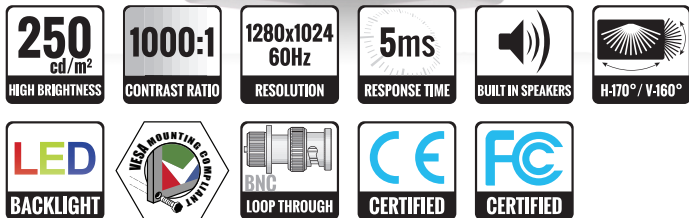
This information is brought to you by:



**ELECTRONIC GROUP, INC**  
 480-635-8400 p \* aegis-g2@aegiselect.com  
 http://www.aegis-elec.com

# VZ-19RTN

## PROFESSIONAL LED 4:3 CCTV MONITOR

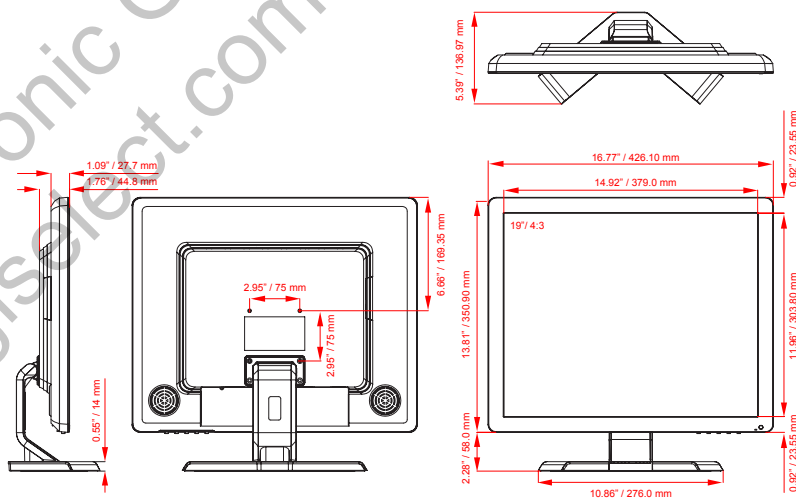


MODEL #		VZ-19RTN
<b>VIDEO</b>		
Screen Size	19"	
Max. Resolution	1280 x 1024 @60Hz	
Pixel Pitch	0.294 mm x 0.294 mm	
Brightness	250cd/m <sup>2</sup> (Typical)	
Contrast Ratio	1000:1	
Aspect Ratio	5 : 4	
Viewing Angle (H/V)	170° / 160°	
Display Color	16.7 Million	
Response Time	< 5ms	
Video System	NTSC / PAL	
Frequency (H)	30 ~ 80 kHz	
Frequency (V)	50 ~ 75 Hz	
<b>INTERFACE</b>		
AV (Composite) In / Out	2 / 1	
VGA In (15Pin D-Sub)	1	
HDMI In	1	
Audio In / Out	1 / 1	
<b>AUDIO</b>		
Built in speaker	2.5W X2	
<b>SPECIAL FEATURES</b>		
Filter Type	3D Comb-filter / De-Interlace	
Analog Video Resolution (Max)	600 TV Line	
Language	English, Deutsch, French, Spanish, Italian	
<b>DIMENSIONS &amp; WEIGHT</b>		
Outline Dimension (W x H x D)	16.77" x 16.09" x 5.39" 426.10 mm x 408.9 mm x 136.97 mm	
Net Weight / Gross Weight	6.17 lbs ( 2.8kg ) / 7.27 lbs ( 3.3kg )	
<b>MOUNT</b>		
VESA	75mm x 75mm	
<b>GENERAL</b>		
Power	Electrical Ratings	DC 12V, 3A (AC 100-240V, 50/60Hz)
	Consumption	23 W
Operating Temperature   Humidity		14 ~ 122°F / -10 ~ 50°C   20 ~ 70% RH
Regulations		FCC(A), CE
Compatible Mounts	WALL	VZ-WM05, VZ-WM11, VZ-AM01, VZ-AM02
	CEILING	VZ-CM06W/B, VZ-CM18W/B, VZ-CMKIT-01
	RACK	VZ-RMK08

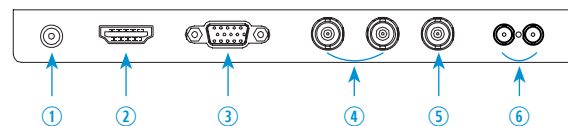
### VZ-19RTN ADVANTAGES

- 19" LED CCTV Monitor
- 3D Comb-filter, De-Interlace, 600 TV Line
- HDMI, VGA
- 2 BNC(Composite) Inputs / 1 BNC (Composite) Output (Loop-through)
- Built-in Speakers, Auto Source & Power Recovery
- 3-Year Warranty

### DIMENSIONS



### INTERFACE



1. DC12V IN
2. HDMI IN
3. VGA IN
4. AV 1, AV 2 IN
5. AV OUT
6. AUDIO IN / OUT