

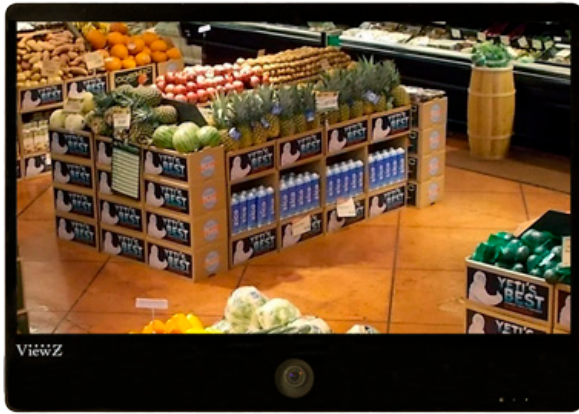
This information is brought to you by:



ELECTRONIC GROUP, INC
480-635-8400 p * aegis-g2@aegiselect.com
http://www.aegis-elec.com

VZ-PVM-Z4B3

HD PUBLIC VIEW LED MONITOR



VZ-PVM-Z4B3 ADVANTAGES

- 32" HD Public View Monitor
- "A" Commercial Grade LED
- Built in 2.1 Mega Pixel Camera
- Camera Motion Sensor
- Timed Source Switching
- Auto Power / Source Recovery
- 600 TV Line - Analog Video Resolution
- PIP / PBP / VOV
- BNC(NTSC/PAL), VGA, 2 HDMI, DVI, PC Stereo
- 3D Comb-filter, De-interlace
- Support dual voltage solution (110V AC and 24V DC)
- 3-Year Warranty

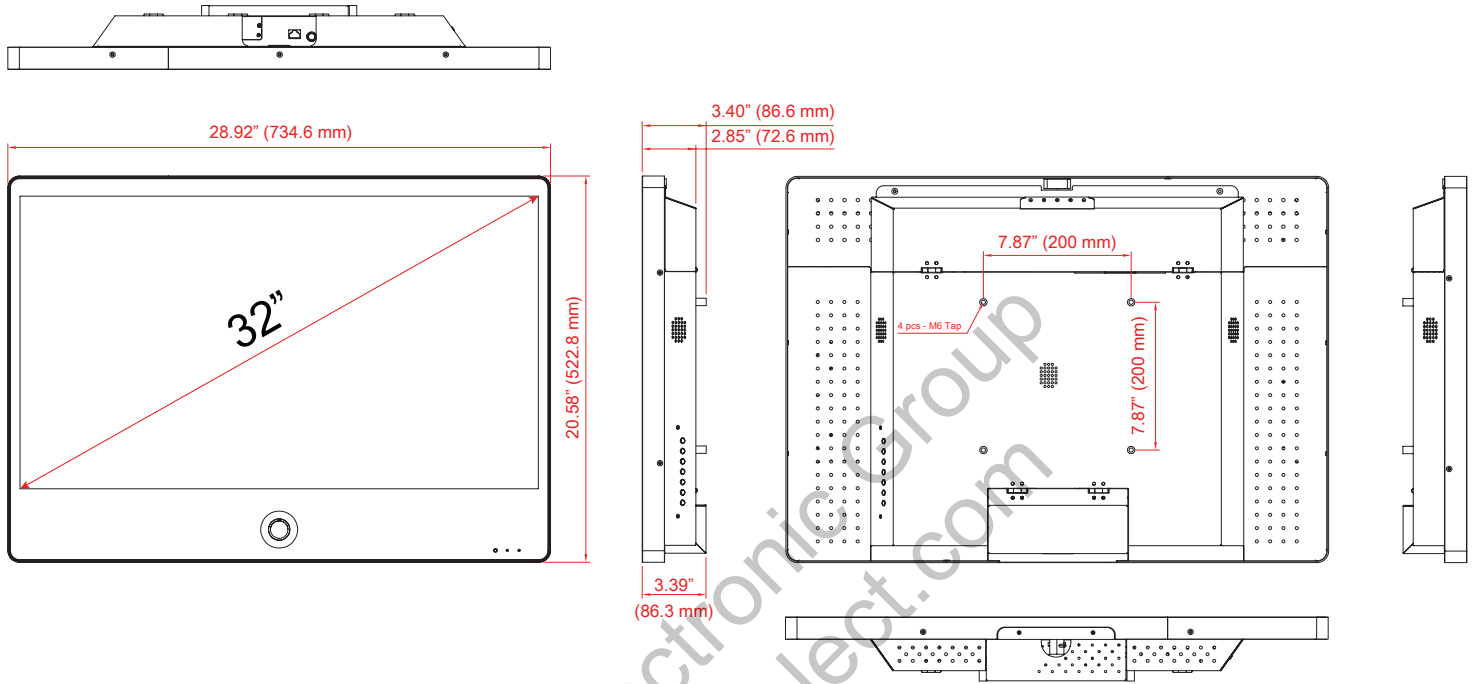
MODEL #		VZ-PVM-Z4B3	
DISPLAY			
Screen Size	32"		
Max. Resolution	1920 x 1080 @60Hz		
Pixel Pitch	0.36375mm x 0.36375mm		
Brightness	350cd/m ² (Typical)		
Contrast Ratio	3000:1		
Aspect Ratio	16 : 9		
Viewing Angle (H/V)	178° / 178°		
Display Color	16.7 Million		
Response Time	< 6.5 ms		
Video System	NTSC / PAL		
Frequency (H) / Frequency (V)	31 ~ 80Khz / 56 ~ 75Hz		
INTERFACE			
AV (Composite) In / Out	1 / 1		
Camera Out	1		
DVI - In / HDMI In / VGA In (15Pin D-Sub)	1 / 2 / 1		
PC Stereo In / Out	1 / 1		
SPECIAL FEATURES			
Multi Display Function	PIP / PBP / VOV		
Filter Type	3D Comb-filter / De-Interlace		
Analog Video Resolution (MAX)	600 TV Line		
Multi-lingual Language	English, Spanish, French, German, Italian, Portuguese, Dutch		
DIMENSIONS & WEIGHT			
Outline Dimension (W x H x D)	28.92" x 20.58" x 3.4"		
	734.6mm x 522.8mm x 86.6mm		
Net Weight / Gross Weight	36.82 lbs (16.7kg) / 46.3 lbs (21 kg)		
MOUNT			
VESA	200mm x 200mm / M6 x L8 Screws		
GENERAL			
Transmitter - IR Remote Control	YES		
Power	Electrical Ratings	AC 110~240V (50/60Hz)	24V DC
	Consumption	66W	66W
Warranty	Parts/ Labor	3 Year / 3 Year	
	MTBF (Approx.)	50,000 Hours	
Operating Temperature	32 - 104°F / 0 - 40°C		
Regulation	cUL, FCC(A)		
Compatible Mounts	Wall	VZ-WM50, VZ-AM02	
	Ceiling	VZ-CMKIT-01, VZ-CMKIT-02, VZ-CM06, VZ-CM-18	

CAMERA	
Camera Type	2.1 Mega Pixel Camera
Image Sensor	Panasonic 2.1 Mega Pixel C-MOS Sensor
Lens	DC Auto Iris 2.8~12mm Vari-focal Lens
Active Pixels	1920(H) x 1080p(V) 30fps
Video Out	1ch CVBS (NTSC/PAL)
Motion Detection Function	Support 2D/3D NR, D-ZOOM, DPC, HLC/BLC, Defog D/N, DWDR, AGC, AWB, IR SMART
Min Illumination	0.5 Lux@50IRE, F1.2
MEDIA CARD - Optional Feature	
Support Type	Photo, Music, Video
Support File Format	MPEG1, MPEG4, JPEG, BMP, GIF, PNG, MP3
External Storage	Support USB1.1, USB2.0 SD (4in1)/MMC/MS/XD
VIDEO Resolution	720 X 576

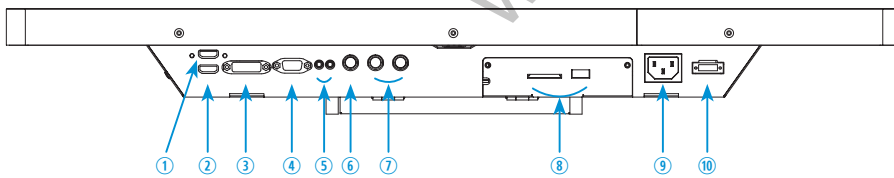
VZ-PVM-Z4B3

HD PUBLIC VIEW LED MONITOR

DIMENSIONS



INTERFACE



1. HDMI2 IN
2. HDMI1 IN
3. DVI IN
4. VGA IN
5. PC STEREO IN/AUDIO OUT
6. CAMERA OUT
7. AV(composite)2 IN/OUT
8. MEDIA CARD(USB, SD) - Optional
9. AC 110~240 V IN
10. DC 24V IN