

# XCG-C Series

Digital Video Camera Module

This information is brought to you by:



**ELECTRONIC GROUP, INC**  
 480-635-8400 p \* aegis-g2@aegiselect.com  
<http://www.aegis-elec.com>



Sony is expanding its popular XCG GiGE Vision® Series of interface cameras with the introduction of six new compact cameras. Available in both color and black & white, the new XCG Cubic GiGE Series includes a PoE capability to provide users with the convenience of single-cable operation for power and control. In addition, this new range contains a number of advanced new features including enhanced frame rate performance and low trigger latency capabilities.

The new XCG Cubic GiGE Series from Sony brings the best of Sony's imaging technology to the industrial vision market.

	XCG-C130/130C	XCG-C32/32C	XCG-C30/30C
Progressive Scan IT CCD	1/3-type	1/2-type	1/3-type
Cell Size	3.75 μm x 3.75 μm	9.9 μm x 9.9 μm	7.4 μm x 7.4 μm
Standard Picture Size	1,280 x 960	640 x 480	640 x 480
Frame Rate	31 fps	104 fps	130 fps

## Key features

- High frame rate
- Lower power consumption mode
- Sensitivity control (Smear reduction)
- Hardware trigger, software trigger
- Shorter trigger latency
- Noise reduction (Trigger range)
- Special trigger mode (Bulk trigger/ Sequential trigger)
- 3 x 3 filter
- Temperature read out
- Look-up Table (LUT)
- Near-infrared Sensitivity : XCG-C130 only
- High shock and vibration resistance

# SPECIFICATIONS

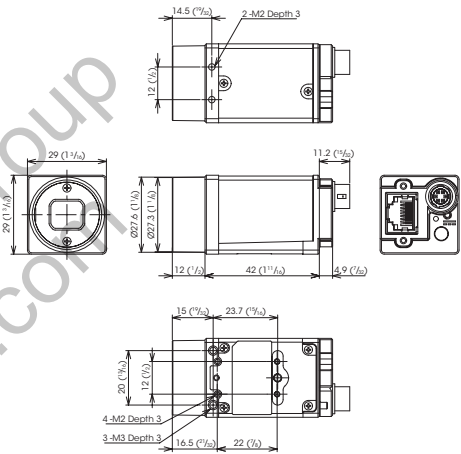
	XCG-C130	XCG-C130C	XCG-C32	XCG-C32C	XCG-C30	XCG-C30C
<b>Camera</b>						
Image Sensor	1/3-type progressive scan (Exview HAD CCD <sub>M</sub> )		1/2-type progressive scan IT CCD		1/3-type progressive scan IT CCD	
Image Sensor (Number of Effective Pixels, H x V)	1,296 x 966		659 x 494		659 x 494	
Cell Size (H x V)	3.75 μm x 3.75 μm		9.9 μm x 9.9 μm		7.4 μm x 7.4 μm	
Output Pixels (H x V)	1,280 x 960		640 x 480		640 x 480	
Output Pixels (H x V, Full Resolution)	1,296 x 966		658 x 494		658 x 494	
Color Filter	-	RGB color mosaic filter	-	RGB color mosaic filter	-	RGB color mosaic filter
Frame Rate	31 fps		104 fps (Non-PoE)		130 fps (Non-PoE)	
Minimum Illumination (50%)	0.5 lx (Iris: F1.4, Gain: +18 dB, Shutter: 1/30 s)		1.0 lx (Iris: F1.4, Gain: +18 dB, Shutter: 1/60 s)		1.5 lx (Iris: F1.4, Gain: +18 dB, Shutter: 1/90 s)	
Sensitivity	F5.6 (400 lx, Gain: 0 dB)		F5.6 (2000 lx, Gain: 0 dB)		F5.6 (2000 lx, Gain: 0 dB)	
S/N Ratio	More than 50 dB					
Gain	Auto, Manual: 0 dB to +18 dB					
Shutter Speed	Auto, Manual: 2s to 1/100,000s					
White Balance	-	Manual, One push	-	Manual, One push	-	Manual, One push
<b>Camera Features</b>						
Readout Modes	Normal, Binning (2 x 1, 1 x 2, 2 x 2), Partial scan	Normal, Partial scan	Normal, Binning (2 x 1, 1 x 2, 2 x 2), Partial scan	Normal, Partial scan	Normal, Binning (2 x 1, 1 x 2, 2 x 2), Partial scan	Normal, Partial scan
Readout Features	Binnarization, Built-in test pattern					
Synchronization	Hardware trigger, Software trigger					
Trigger Modes	Edge detection, Pulse width detection, Bulk trigger, Sequential trigger					
User Set	16 channels					
User Memory	64 bytes x 16 channels					
Image Buffer	TBD					
Other Features	Temperature readout		Temperature readout, Sensitivity control			
<b>Interface</b>						
Video Data Output	Mono8, 10, 12-bit	Raw8, 10, 12-bit, RGB, YUV444, YUV422	8, 10, 12-bit	Raw8, 10, 12-bit, RGB, YUV444, YUV422	Mono8, 10, 12-bit	Raw8, 10, 12-bit, RGB, YUV444, YUV422
Digital Interface	Gigabit Ethernet (100BASE-TX / 1000BASE-T)					
Camera Specification	GigE Vision™ Version 1.2 / 2.0					
Digital Input/Output	ISO IN (x1), GP IN/OUT (x2,selectable)					
<b>General</b>						
Lens Mount	C mount					
Power Requirements	DC +12 V (+10.5 V to +15.0 V)					
Power over Ethernet	IEEE802.3af					
Power Consumption	DC +12 V : 3.2W (max) IEEE802.3af : 3.8 W (max.)					
Operating Temperature	-5°C to +45°C 23°F to 113°F					
Performance Guarantee Temperature	0°C to 40°C 32°F to 104°F					
Storage Temperature	-30°C to +60°C -22°F to +140°F					
Operating Humidity	20% to 80% (no condensation)					
Storage Humidity	20% to 95% (no condensation)					
Vibration Resistance	10 G (20 Hz to 200 Hz)					
Shock Resistance	70 G					
Dimensions (W X H X D)	29 x 29 x 42 mm (excluding protrusions) 1 3/16 x 1 3/16 x 1 11/16 inches (excluding protrusions)					
Mass	66 g (1.9 oz)					
Regulations	UL60950-1, FCC Class A, CSA C22.2-No.1, IC Class A Digital Device, CE : EN61326 (Class A), AS EMC: EN61326-1, VCCI Class A, KCC, CISPR22/24+IEC61000-3-2/3					
Supplied Accessories	Lens mount cap (1), Operating Instructions (1)					

# PIN ASSIGNMENTS

Pin No.	Description
1	DV 12 V
2	ISO IN+ (TRG)
3	IN/OUT
4	IN/OUT
5	ISO IN-
6	GND

# DIMENSIONS

Unit: mm (inches)



Distributed by

MK11172V2YIT15JUL