

This information is brought to you by:

The Aegis logo is written in a stylized, cursive font with a red underline that extends to the left.

ELECTRONIC GROUP, INC

480-635-8400 p * aegis-g2@aegiselect.com

<http://www.aegis-elec.com>

KPC-BSP6300NU

750TVL Box Color Camera

- 750TVL Horizontal Resolution
- C/CS Mount Lens
- 1/3"960H Interline CCD
- Min. Illumination of 0.0001 Lux
- True Mechanical Day & Night
- 2D DNR / BLC / ATR / AWB
- DC 12V / AC 24V Dual Power

A close-up photograph of the KPC-BSP6300NU camera lens, showing the internal glass elements and the black metal housing. The lens is angled towards the viewer, and the background is a light, neutral color.

750TVL
Ultra High Definition Camera

KPC-BSP6300NU

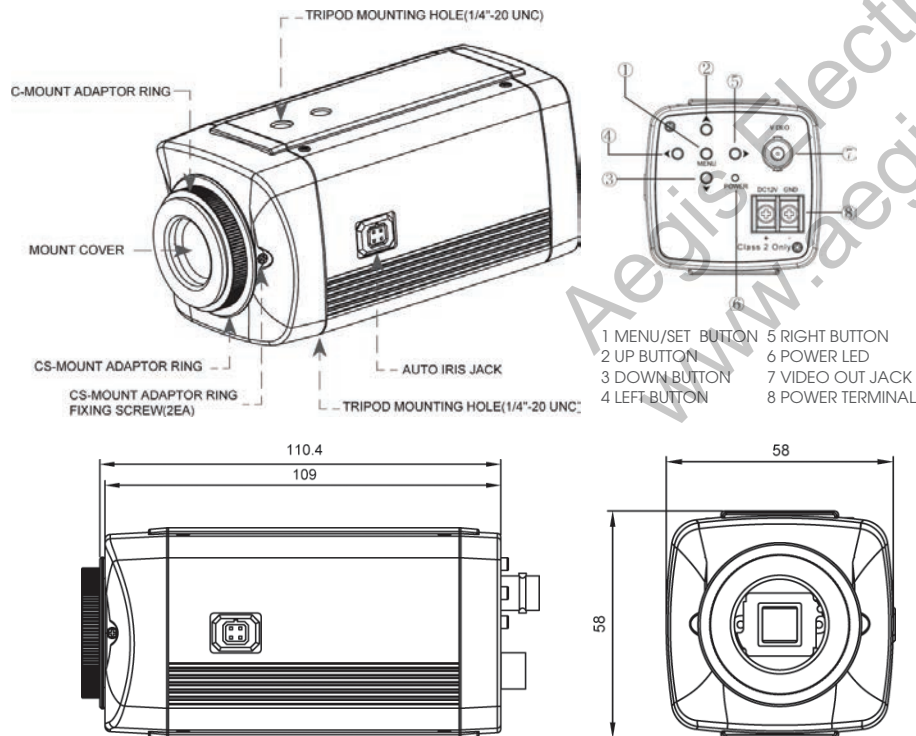
750TVL Box Color Camera

750TVL
Ultra High Definition Camera

- 750TVL Horizontal Resolution
- C/CS Mount Lens
- 1/3" 960H Interline CCD
- Min. Illumination of 0.0001 Lux
- True Mechanical Day & Night
- 2D DNR / BLC / ATR / AWB
- DC 12V / AC 24V Dual Power



General Feature Diagram Unit: (mm)



Technical Specification

Signal System	NTSC	
Image Sensor	1/3" 960H Interline CCD	
Scanning System	2:1 Interlace	
Horizontal Resolution	750TV Lines	
Scanning Frequency	15.734KHz x 59.94Hz (H x V)	
Total Pixels	Effective Pixels	1020 x 508 (H x V) 976 x 494 (H x V)
Synchronization	Internal	
Lens	C/CS Mount	
Lens Type	Manual / DC Iris Lens	
S/N	More than 50dB (AGC Off)	
Gamma	r = 0.45	
Min. Illumination	0.05 Lux (Color) / 0.003 Lux (B/W) (30 IRE@F1.2) (IR LED Off)	
Shutter Speed	1/60 ~ 1/100,000 sec	
Day & Night	True Day & Night with ICR Mechanism	
IR LED	Distance	N/A
Day & Night Function	Auto, Color, B/W	
IP Rating	N/A	
Video Output Level	1.0 Vp-p Composite (75Ω)	
On-Screen Display (OSD)	Built-in	
BLC	Off, BLC, HLC	
DNR	2D DNR	
ATR	On / Off (Level Adjustable)	
White Balance	ATW, Push, User1, User2, Anti CR, Manual, Push-lock	
Privacy Masking	4 Zones	
Mirror	On / Off	
Motion Detection	4 Zones	
WDR	N/A	
Digital Zoom Ratio	N/A	
Digital Slow Shutter	N/A	
Other Function	Brightness, Contrast, Sharpness, Hue, Gain	
Language Option	English, Japanese, German, French, Russian, Portuguese, Spanish, Chinese	
Operating Temperature	14°F ~ 122°F (-10°C ~ 50°C)	
Storage Temperature	-4°F ~ 140°F (-20°C ~ 60°C)	
Humidity	Less than 80% RH	
Power Supply	DC Type : DC12V (±10%), Max.130mA Dual Type : DC12V (±10%), Max.130mA / AC24V (±10%), Max. 2.9W	
External Control	RS-485	
Dimension	Weight	58 x 58 x 109mm 248g