



Part No.: KNC-HDBi230



Mini Bullet Megapixel IP Camera

- 2.1 Megapixel
- Maximum Resolution of 1920 x 1080 @ 30fps
- ø23 diameter
- Digital Day and Night
- Onvif 1.02, Onvif Profile S Support
- Micro SD/SDHC card support up to 32GB
- PoE (Power over Ethernet) and DC12V
- 3 Megapixel Fixed Board Lens (f=3.7mm)
- Multi-streaming (Up to 4 profiles)

Key Features

- 1/2.8" SONY Exmor Progressive CMOS
- 1920 x 1080 @ 30fps
- H.264 & Motion JPEG
- Micro SD/SDHC card support up to 32GB
- Digital Day and Night
- BLC, D-WDR, 3D DNR
- Multiple Network Protocols Support
- Multiple User Access with Password Protection
- 3 Megapixel Fixed Board Lens (f=3.7mm)
- Compression, Brightness, Contrast, Saturation, Hue, Sharpness, White balance, Exposure Control
- Analog Service Output
- PoE, DC12V

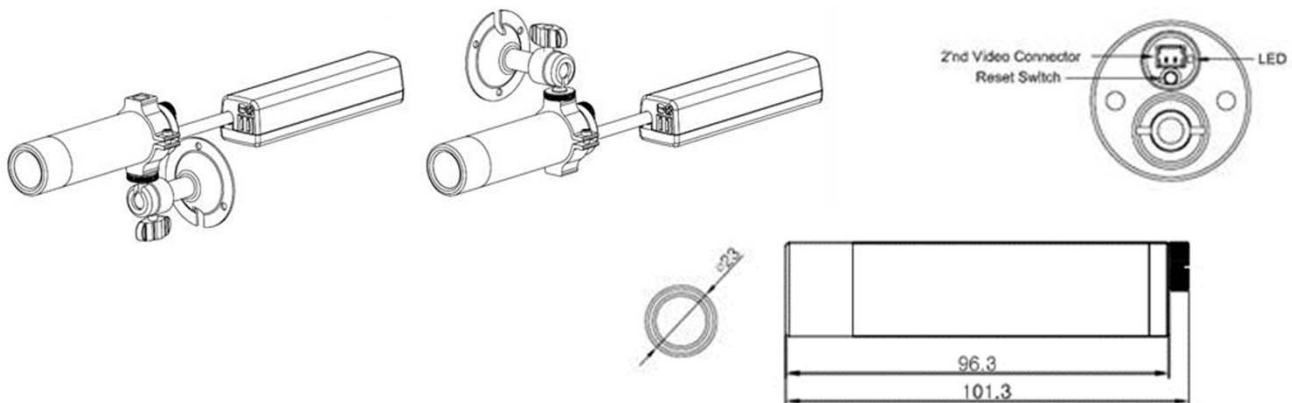


2.1Mega Pixel (1920x1080)



* Specifications & Features are subject to change without prior notice.

Part No.: KNC-HDBi230



Technical Specification

Model	KNC-HDBi230
Image Sensor	2.1 Megapixel, 1/2.8" SONY Exmor Progressive CMOS
Video / Compression	H.264 / Motion JPEG
Resolution	1080p, SXGA, 720p, D1, CIF
Frame Rate	H.264 : 30fps / Motion JPEG : 30fps
Video Streaming	Multi-stream (Up to 4 profiles); simultaneous, individually configured streams in max. resolution at 30 fps controllable frame rate and bandwidth
Image Setting Option	Compression, brightness, contrast, saturation, hue, sharpness, white balance, exposure control, rotation of images, text and image overlay, privacy mask
Min. Illumination	TBD
Lens	3.7mm 3 Megapixel Board Lens
Day & Night	Digital Day and Night
Network Security	Multiple user access levels with password protection
Network Supported Protocols	IPv4, HTTP, TCP, RTSP, RTP, UDP, IGMP, RTCP, SMTP, FTP, ICMP, DHCP, ARP, DNS, DDNS, HTTPS, UPnP
Application Programming Interface (API)	Open API for software integration, including API and SDK
Intelligent Video	Video motion detection
Local storage	Fixed Micro SD/SDHC up to 32GB
Alarm and Events	Intelligent video, manual triggers, network fail, SD card scheduling, reboot
Interfaces Other	RJ-45 for Ethernet 10baseT/100baseTX with PoE (Power over Ethernet) Analog composite output (for Service Video) Cropping video display button for easy focus setting
Operating Temperature/Condition	-10 °C ~ 50 °C (14 °F ~ 122 °F) / Humidity 20~80% RH (non-condensing)
Power Supply	PoE (Power over Ethernet) Class 3 (IEEE 802.3af), DC12V
Dimension / Weight	ø23 x 96.3mm / Weight TBD

* Specifications & Features are subject to change without prior notice.

Last updated: 10/28/2013