

IK-HD5

3-CMOS 1080 p/i
3G/HD-SDI & DVI-D
HD VIDEO CAMERA



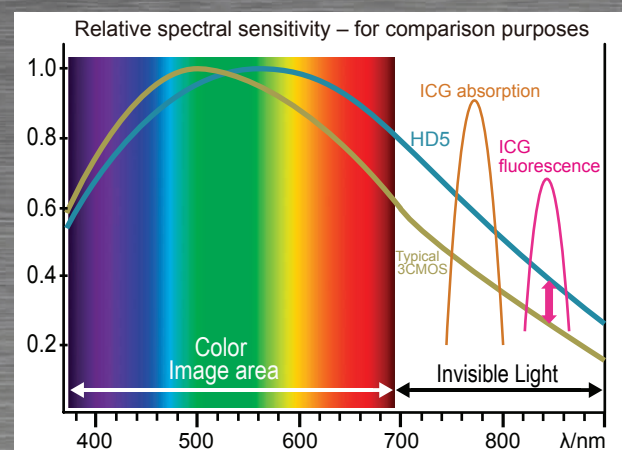
Features

- 3-CMOS HD Sensors, 2.1MP, progressive, 1/2.9"
- 3G-SDI/HD-SDI and DVI-D output, 1920 x 1080
- Switchable between 1080p and 1080i
- Up to 1,000 TV lines resolution
- 5 User-configurable scene files
- Binning mode for 4x increase in sensitivity
- Image flip and mirror
- Gen-lock for 3D and multi-camera use
- Remote control via RS232
- C-mount lens mount

For enhanced near-infrared applications

- Removable optical low pass filter
- Provides switchable output between full-HD video in visible and near-infrared spectrums
- Approximately 3dB increased sensitivity in near IR
- Expanded menu functions for red filter IR mode

Toshiba introduces the latest 3-CMOS camera innovation, a progressive-scan full-HD 1080p/1080i video camera featuring 3G-SDI/HD-SDI and DVI-D outputs and removable optical low pass filter (OLPF) for dual-mode imaging applications switchable between visible light and near-infrared visualization. This HD camera can be used for any HD video application as well as applications which use fluorescing agents. The IK-HD5 imaging capabilities are well-suited as a component of surgical microscopy, endoscopy, IR inspection and defense imaging systems.



Incorporating Toshiba's innovative three-chip technology, the IK-HD5 provides approximately 3dB increased sensitivity in the near-infrared spectrum through 700-870 nm. When equipped with the appropriate optics and filters, the IK-HD5 can be used for both visible light and near IR imaging applications such as indocyanine green (ICG) and other fluorescing agents.



This information is brought to you by:

Aegis

ELECTRONIC GROUP, INC

480-635-8400 p * aegis-g2@aegiselect.com

<http://www.aegis-elec.com>

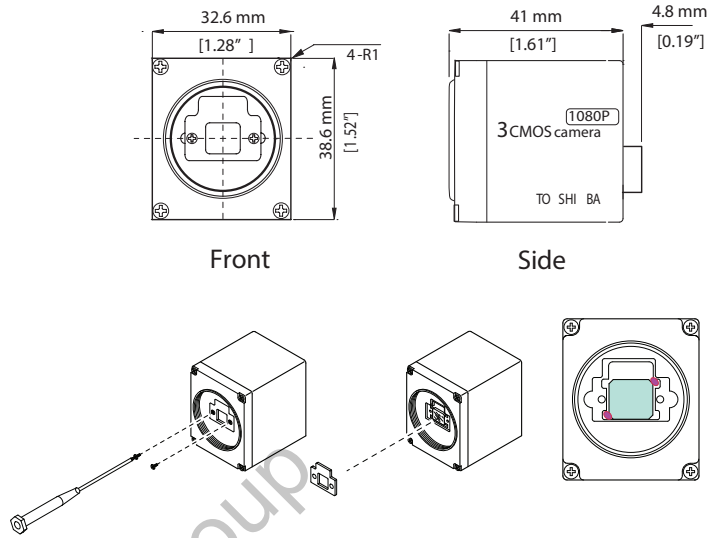
IK-HD5

Camera Head Specifications

IK-HD5H

| | |
|-----------------------|---|
| Image Sensor | 3-CMOS, 1/2.9 inch, 2.1MP progressive |
| Output Resolution | Horizontal: 1920, Vertical: 1080 |
| Resolution : H : V | 1000 TV lines standard 1000 TV lines standard |
| Sensitivity | F10 standard (59.94 Hz setting) F11 standard (50 Hz setting) (at 2000 lx, 3000 K) |
| Minimum Illumination | 4.8 lx (59.94 Hz setting) 4.0 lx (50 Hz setting) at F2.2, 20 dB, BINNING: ON 9.6 lx (59.94 Hz setting) 8.0 lx (50 Hz setting) at F2.2, 20 dB, BINNING: OFF |
| S/N Ratio | 56 dB standard AGC: OFF, Gamma: OFF, Enhance: OFF |
| Operating Temperature | 0°C to 40°C / 32°F to 104°F |
| Operating Humidity | Less than 90% (non-condensing) |
| Weight | Approx. 93 g (3.3 oz) |
| Dimensions | W: 32.6 mm H: 38.6 mm D: 41 mm (1.28" x 1.52" x 1.61") Protruding portion is not included |

Camera Head Exterior Dimensions



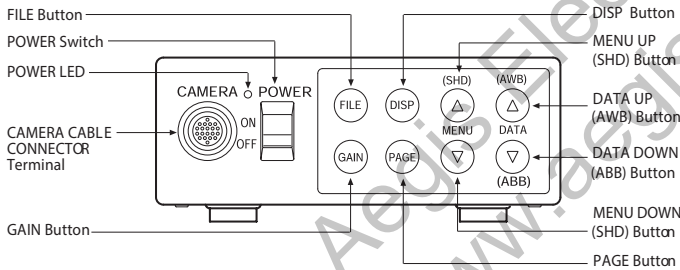
IK-HD5E Controller Specifications

| | |
|-----------------------|--|
| Power Supply | 12V DC±10% |
| Power Consumption | 10.3 W |
| Scanning System | Progressive / Interlaced (Selectable) |
| Scan Frequency | H: 67.433 kHz, V: 59.94 Hz : 1080p / 59.94 Hz H: 56.250 kHz, V: 50 Hz : 1080p / 50 Hz H: 33.716 kHz, V: 59.94 Hz : 1080i / 59.94 Hz H: 28.125 kHz, V: 50 Hz : 1080i / 50 Hz |
| Operating Temperature | 0°C to 40°C / 32°F to 104°F |
| Operating Humidity | Less than 90% (non-condensing) |
| Weight | Approx. 600 g (1.32 lbs.) |
| Dimensions | W: 110 mm, H: 40 mm, D: 186 mm (4.33" x 1.58" x 7.32") |
| Scene Files | 5 User-configurable scene files |
| White Balance | Auto / Manual (Selectable) |
| Gain | Auto (0 - 20 dB); Manual (-3 - 20 dB), OFF |
| Output Signal | DVI-D / 3G-SDI |
| Electronic Shutter | Auto / Manual / OFF 1/60 - 1/10,000 |

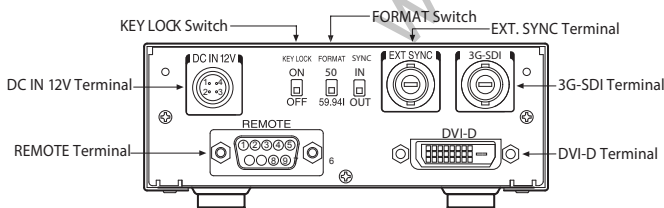
Complies to FCC Part 15 Subpart B, Class A, EN61000-6-4, EN60000-6-2
Toshiba environmental management exceeds RoHS

Controller Front and Back Panels

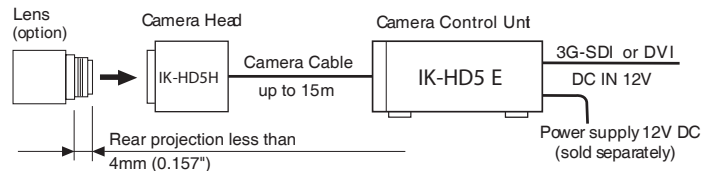
IK-HD5E FRONT



IK-HD5E REAR



Connection



System Components

For further details, contact your Toshiba ME/FA distributor.

CAMERA HEAD

IK-HD5H

CAMERA CABLE

| Model | Length |
|-----------|--------|
| EXC-3HD03 | 3 m |
| EXC-3HD06 | 6 m |
| EXC-3HD10 | 10 m |
| EXC-3HD15 | 15 m |

CAMERA CONTROL UNIT

IK-HD5E