

**B/W CCD Camera Module  
BE-101B  
Specifications**

- 1) Imaging device ..... 1/2 type interline CCD
- 2) Total pixels ..... EIA: 811 (H) × 508 (V)  
CCIR: 795 (H) × 596 (V)
- 3) Pixel size ..... EIA: 8.4 (H) × 9.8 (V) μm  
CCIR: 8.6 (H) × 8.3 (V) μm
- 4) Effective pixels ..... EIA: 768 (H) × 494 (V)  
CCIR: 752 (H) × 582 (V)
- 5) Imaging area ..... EIA: 6.45 (H) × 4.84 (V) mm  
CCIR: 6.47 (H) × 4.83 (V) mm
- 7) Video effective output pixels ..... EIA: 752 (H) × 485 (V)  
CCIR: 738 (H) × 575 (V)
- 8) Signal format ..... Conforming to EIA or CCIR
- 9) Scanning system ..... 2:1 interlaced
- 10) Horizontal drive frequency ..... EIA: 14.318 MHz  
CCIR: 14.1875 MHz
- 11) Horizontal scanning frequency ..... EIA: 15.734 kHz  
CCIR: 15.625 kHz
- 12) Vertical scanning frequencies ..... EIA: 59.94 Hz  
CCIR: 50 Hz
- 13) Sync system ..... Internal/external, automatic selection
- 14) External sync input ..... HD and VD 4 Vp-p negative  
Impedance 75 Ω  
Frequency deviation ±1 %
- 15) Video output ..... 1.0 Vp-p 75 Ω unbalanced  
Video component 0.7 Vp-p  
Sync component 0.3 Vp-p negative
- 16) Resolution ..... EIA: 570 (H) × 485 (V) TV lines  
CCIR: 560 (H) × 575 (V) TV lines
- 17) Sensitivity ..... 400 lx, F4, 3200 K
- 18) Minimum object illumination ..... 0.3 lx, F1.4, AGC and gamma on,  
with out infrared cut filter
- 19) Signal to noise ratio ..... 56 dB

A  
B  
C  
D  
E  
F



DWN	A. Kouchi	01.2.01	BE-101B Specifications	Hitachi Kokusai Electric Inc. Tokyo Japan	7498395/5
DSGN	M. Suzuki	01.2.01			
CHK	M. Suzuki	01.2.01			
APPD	N. Yamazaki	01.2.01			

- 20) Electronic shutter ..... 1/100 (EIA), 1/120 (CCIR), 1/250, 1/500, 1/1000, 1/2000, 1/4000, 1/10000 second.  
Selected by changing chip parts.  
Factory setting is off.
- 21) Integration mode ..... Field or frame (Factory setting is frame)  
Selected by changing chip parts.
- 22) Gamma correction ..... On or off (Factory setting is off)  
Selected by changing chip parts.
- 23) Sensitivity selection ..... Fixed gain or AGC (Factory setting is fix)  
Selected by changing chip parts.
- 24) Power supply voltage ..... 12 ±1 VDC
- 25) Power consumption ..... Approx. 160mA
- 26) Ambient temperature and humidity .. Operating:-10 to 50°C RH less than 90 %  
Storage:-20 to 60°C RH less than 70 %

**Caution:** For continued stable operation, the camera should be used under 40°C or less when it is used continuously for extended period of time.

- 27) Dimensions ..... 45(W) × 45(H) × 20(L)mm
- 28) Mass ..... 25g approx.
- 29) Composition ..... Black and white camera module : 1  
Interface cable : 1

Note : The standard accessory cable is 300 mm signal conductor.  
Different length cable requires shielding to avoid external noise.

Complaints of Phase-tech.com

DWN		..	BE-101B Specifications	Hitachi Kokusai Electric Inc. Tokyo Japan	74983957
DSGN		..			
CHK		..			
APPD		..			



7498395<sup>3</sup>

2

3

4

### Caution

The specifications of this equipment are subject to change without notice for improvement. Prior to placing your order, be sure to confirm that these specifications are the latest ones. Hitachi Kokusai Electric guarantee that the equipment shipped from our factory conforms to the Hitachi Kokusai Electric's standard warranty conditions and perform quality control within the range necessary to perform the warranty.

### Warranty and After-sales Service

- 1) The guarantee period is one year after the date of purchase. However, the defects due to erroneous use or intentional act are excluded.
- 2) As the defect after expiration of the guarantee period, Hitachi Kokusai Electric will repair the equipment if the intended function is restored by the repair work, and the cost is charged to a customer.
- 3) Hitachi Kokusai Electric is not liable for the losses caused when the equipment is used in a system used for business trades, production process, medical fields, crime prevention applications, etc.
- 4) The parts used in the equipment have their respective lives. The lives of such parts will be shortened under the environments of high temperature or high humidity. When the stable operation is required for a long time, it is recommended to perform periodical maintenance and inspection every year or every two years.

Compinents of Phase 1 tech.com



DWN		..	BE-101B Specifications	Hitachi Kokusai Electric Inc. Tokyo Japan	7498395 <sup>3</sup>
DSGN		..			
CHK		..			
APPD		..			

1

2

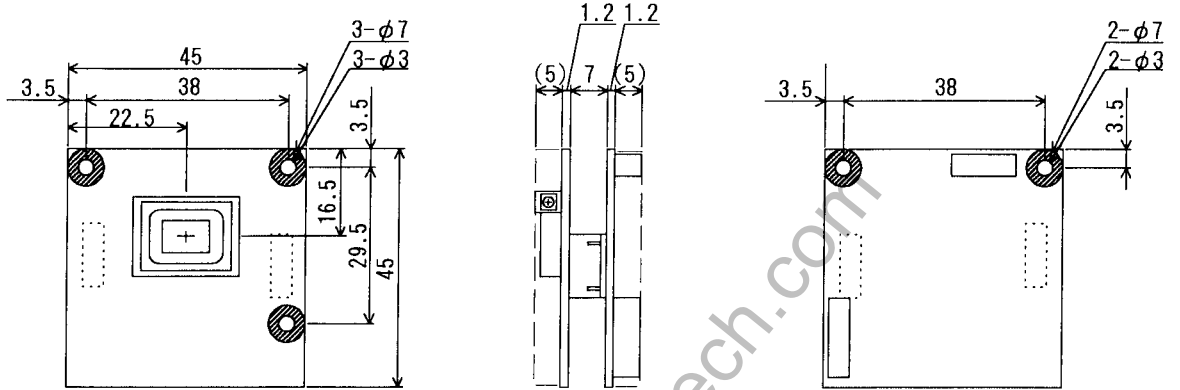
3

3/

External view

BE-101B

External view



Complements of Phase1tech.com

Mass: approx. 25g  
Unit: mm



DWN		..
DSGN		..
CHK		..
APPD		..

BE-101B  
Specifications

Hitachi Kokusai Electric Inc.  
Tokyo Japan

7498395

