

## STC-170BT Series

The STC-170BT is a 1/2" high resolution CCD machine vision camera. The STC-170BT offers integration HOLD feature for special applications. Also, the STC-170BT offers frame/field integration and accepts non-interlace synchronization.



STC-170BT  
Images shown not actual size



### Features

- 1/3" B/W IT CCD
- Machine Vision
- High Resolution
- EIA & CCIR Formats
- External Sync (HD/VD)
- Frame & Field Integration
- Integration HOLD Feature

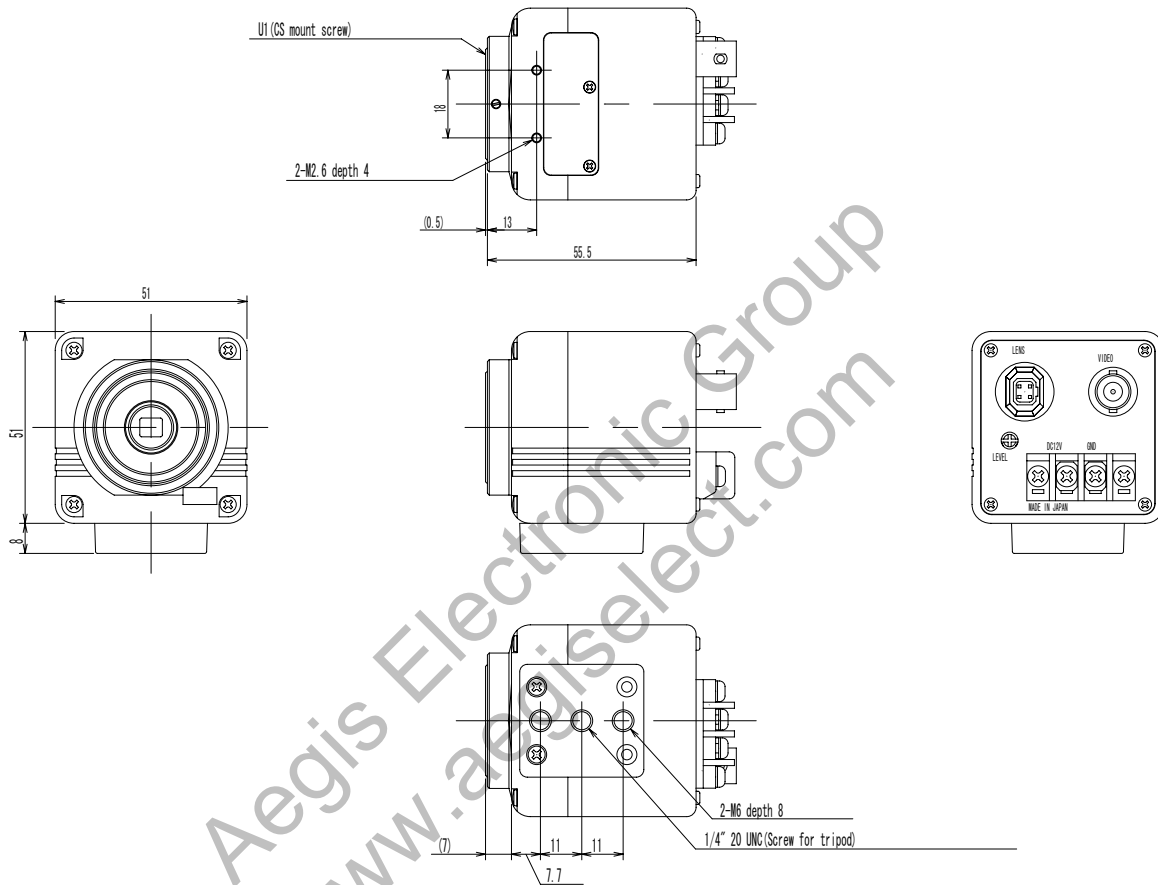
### Specifications >>

<b>Image Sensor:</b>	Black & White: 1/3" Interline CCD (ICX408AL)
<b>Effective Picture Element:</b>	768 (H) x 494 (V)
<b>Signal Format:</b>	EIA (Also Available in CCIR Format - STC-175)
<b>Scanning System:</b>	2:1 Interlace
<b>Horizontal Frequency:</b>	15.734 kHz
<b>Vertical Frequency:</b>	59.94 Hz
<b>Sync System:</b>	Internal or External (HD/VD Input) (Auto Switching by HD Input)
<b>Horizontal Resolution:</b>	570 TV Lines
<b>Vertical Resolution:</b>	Frame Accumulation: 485 TV Lines Field Accumulation: 350 TV Lines
<b>Minimum Illumination (Standard):</b>	0.17 Lux @ F1.2, (AGC ON) 50 IRE
<b>Minimum Illumination (H Version) :</b>	0.06 Lux @ F1.2, (AGC ON) 50 IRE
<b>S/N Ratio:</b>	> 56dB (AGC Off)
<b>Accumulation Mode:</b>	Frame / Field Switchable
<b>Gamma:</b>	1.0 / 0.45 Switchable
<b>Gain:</b>	AGC / Fixed Switchable
<b>Electronic Shutter:</b>	1/30, 1/60, 1/100, 1/250, 1/500 1/1,000, 1/2,000, 1/4,000, to 1/10,000 second Flickerless Shutter (1/100)
<b>Video Out:</b>	VS 1.0Vp-p 75 Ω
<b>Power Supply:</b>	12V DC
<b>Power Consumption:</b>	110mA
<b>Operating Temperature:</b>	-10°C ~ 45°C (14°F ~ 113°F)
<b>Storage Temperature:</b>	-30°C ~ 60°C (-22°F ~ 140°F)
<b>Dimensions:</b>	45 (W) x 45 (H) x 21.2 (D) mm (1.8" x 1.8" x .84")
<b>Weight:</b>	180g (6.35 oz.)

\* DC Auto Iris Lens Connector not Functional

## >> STC-170BT

### Mechanical Drawings



**Note:** (Dimensions are given in mm)