

## STC-170BC

The STC-170BC is a low cost, high resolution machine vision camera. The STC-170BC offers users a high resolution 1/3" CCD, fixed shutter speeds from 1/60 to 1/10,000 second, external sync (HD/VD), and much more.



STC-170BC



Back Panel

### Features

- 1/3" CCD
- Machine Vision
- High Resolution
- Field Integration
- EIA & CCIR Formats
- Internal or External Sync (HD/VD)
- Monochrome
- Cost Effective

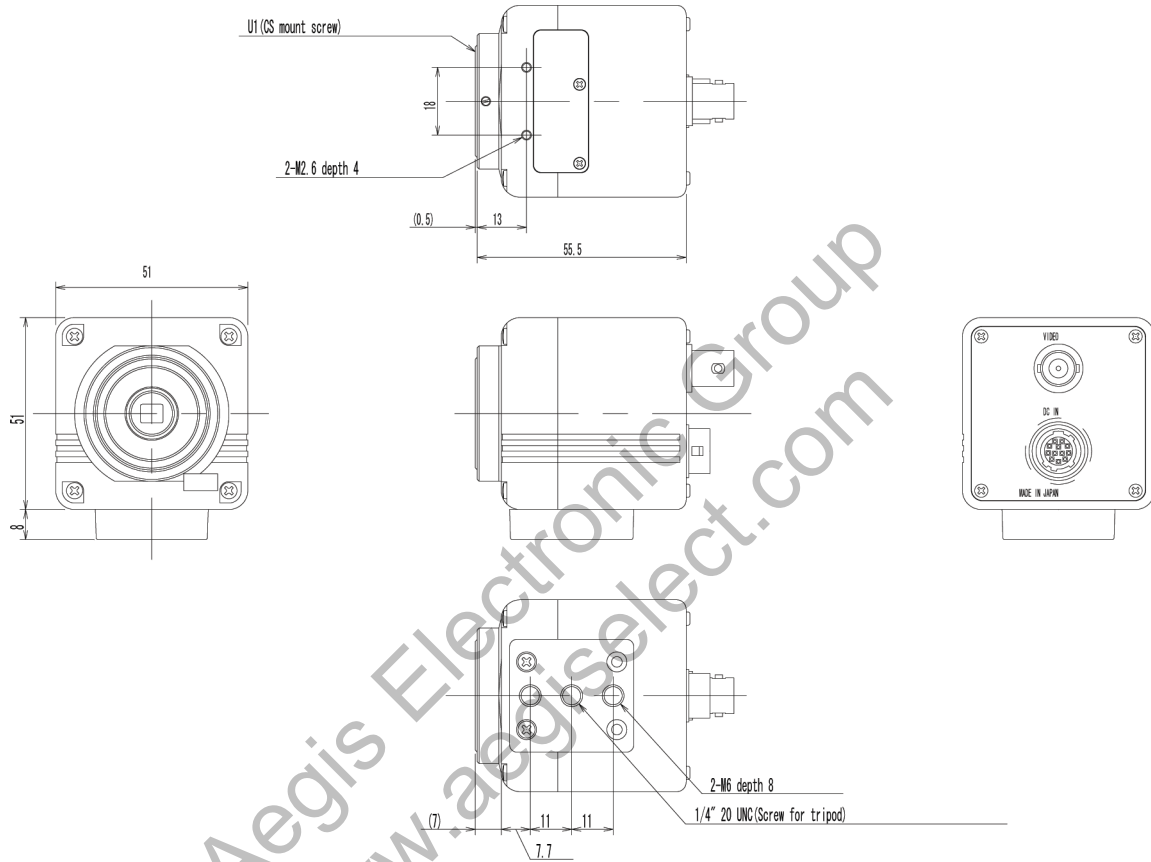
Images shown not actual size

### Specifications >>

<b>Image Sensor:</b>	Black & White: 1/3" Interline CCD (ICX408AL)
<b>Effective Picture Element:</b>	768 (H) x 494 (V)
<b>Signal Format:</b>	EIA (Also Available in CCIR Format - STC-175BC)
<b>Scanning System:</b>	2:1 Interlace
<b>Horizontal Frequency:</b>	15.734 kHz
<b>Vertical Frequency:</b>	59.94 Hz
<b>Sync System:</b>	Internal or External (HD/VD Input)
<b>Horizontal Resolution:</b>	570 TV Lines
<b>Minimum Illumination (Standard):</b>	0.17 Lux @ F1.2, 50 IRE
<b>Minimum Illumination (H Version):</b>	0.06 Lux @ F1.2, 50 IRE
<b>S/N Ratio:</b>	>56dB (AGC Off)
<b>Gamma:</b>	0.45 or 1 Selectable
<b>AGC:</b>	On/Off Selectable
<b>Electronic Shutter:</b>	1/60 to 1/100,000 second
<b>Fixed Shutter:</b>	1/60 (1/50), 1/100 (1/125), 1/250, 1/500, 1/1,000, 1/2,000, 1/5,000, 1/10,000, 1/100,000 second
<b>Video Out:</b>	VS 1.0Vp-p, 75 Ω
<b>Back Light:</b>	On / Off Selectable
<b>Power Supply:</b>	12V DC
<b>Power Consumption:</b>	145mA
<b>Operating Temperature:</b>	-10°C ~ 45°C (14°F ~ 113°F)
<b>Storage Temperature:</b>	-30°C ~ 60°C (-22°F ~ 140°F)
<b>Dimensions:</b>	51 (W) x 51 (H) x 55.5 (D) (2.04" x 2.04" x 2.22")
<b>Weight:</b>	180g (6.35 oz.)

## >> STC-170BC

### Mechanical Drawings



This information is brought to you by:



**ELECTRONIC GROUP, INC**

480-635-8400 p \* aegis-g2@aegiselect.com

<http://www.aegis-elec.com>