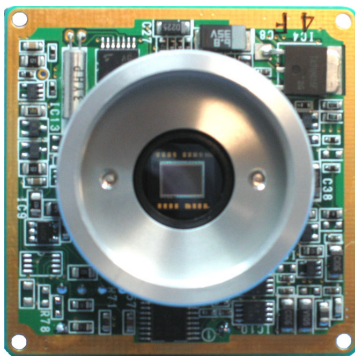
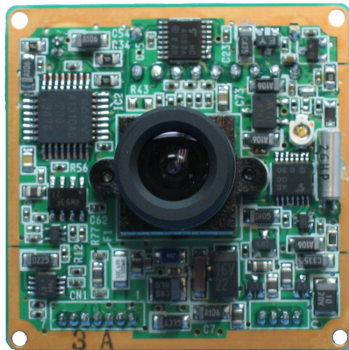


## STC-160

The STC-160 Series is a 1/3" high resolution CCD single board machine vision camera. Small in size, this camera series offers many features and functions not found on most board-level cameras. Like most SenTech cameras, the STC-160 series comes in both board level and cased versions.



STC-160CS



STC-H160L6

Images shown not actual size

### Features

- Machine Vision Board Camera
- 1/3" B/W High Res IT CCD
- EIA & CCIR Formats Available
- Field Integration
- Internal or External (HD/VD) Sync
- 0.45 or 1.0 Gamma
- Electronic or Fixed Shutter
- AGC On/Off Selectable
- Compact Size (1.8" x 1.8")

### Specifications >>

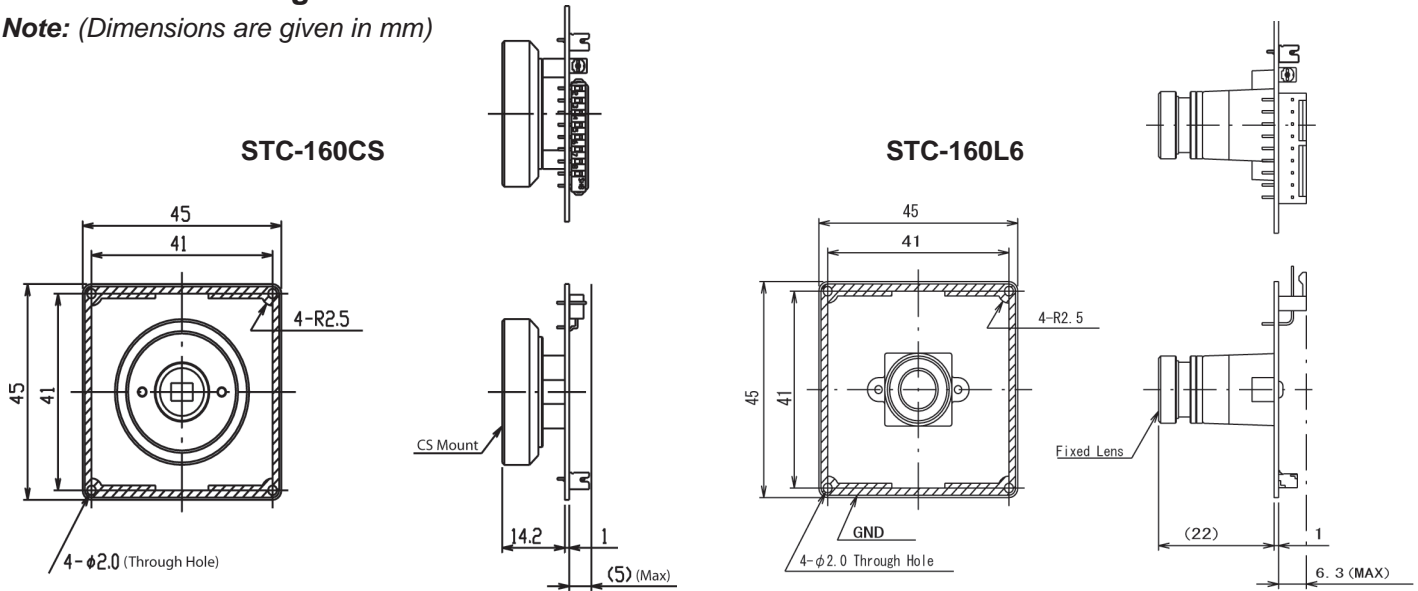
<b>Image Sensor:</b>	Black & White: 1/3" Interline CCD (ICX408AL)
<b>Effective Picture Element:</b>	768 (H) x 494 (V)
<b>Signal Format:</b>	EIA (Also Available in CCIR Format - STC-165)
<b>Scanning System:</b>	2:1 Interlace
<b>Horizontal Frequency:</b>	15.734 kHz
<b>Vertical Frequency:</b>	59.94 Hz
<b>Sync System:</b>	Internal or External (HD/VD Input) Auto Detect
<b>Horizontal Resolution:</b>	570 TV Lines
<b>Minimum Illumination (Standard):</b>	0.07 Lux @ F1.2, (AGC On) 50 IRE
<b>Minimum Illumination (H Version):</b>	0.06 Lux @ F1.2, (AGC On) 50 IRE
<b>S/N Ratio:</b>	>56dB (AGC Off)
<b>Gamma:</b>	0.45 or 1 Selectable
<b>AGC:</b>	On/Off Selectable
<b>Electronic Shutter:</b>	1/60 to 1/100,000 Second
<b>Fixed Shutter:</b>	1/60, 1/100, 1/250, 1/500, 1/1,000, 1/2,000 1/5,000, 1/10,000, 1/100,000 Second
<b>Video Out:</b>	VS 1.0Vp-p, 75 Ω
<b>Back Light:</b>	On / Off Selectable
<b>Power Supply:</b>	12V DC
<b>Power Consumption:</b>	135mA
<b>Operating Temperature:</b>	-10°C ~ 45°C (14°F ~ 113°F)
<b>Storage Temperature:</b>	-30°C ~ 60°C (-22°F ~ 140°F)
<b>Dimensions:</b>	45 (W) x 45 (H) x 14.2 (D) (1.8" x 1.8" x .56")
<b>Weight:</b>	20g (.70 oz.)

• Seven Lens options available (See Page 2)

### >> STC-160CS

#### Mechanical Drawings

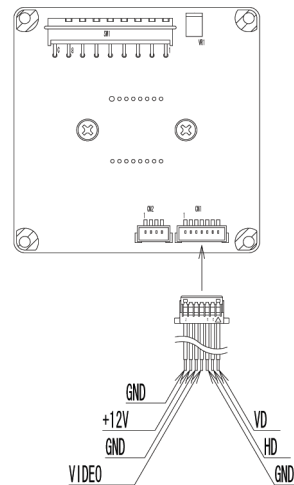
Note: (Dimensions are given in mm)



#### DIP Switch Setting



#### Connector and DIP Switch



#### 1. DIP Switch Designation

Switch Number	Function	Switch Position	
		OFF	ON
1	Shutter Mode	See Table 2	
2			
3	Shutter Speed	See Table 3	
4			
5			
6	Photometric Area	Full Screen	Center
7	Gain	Fixed	AGC ON
8	Gamma	0.45	1

#### VR Function

VR1: Fix Gain Control (0-24dB)

(Note) VR1 is active only when the DIP switch No. 7 is "OFF"

#### 2. Shutter Mode Setting

Shutter Mode	SW1	SW2
Electronic Iris 1/60 - 1/100,000	OFF	OFF
Electronic Iris 1/100 - 1/100,000	ON	OFF
Fixed Shutter See Table 3	OFF	ON
1/60	ON	ON

#### 3. Shutter Speed Setting

Shutter Speed	SW 3	SW 4	SW 5
1/100,000	OFF	OFF	OFF
1/10,000	ON	OFF	OFF
1/5,000	OFF	ON	OFF
1/2,000	ON	ON	OFF
1/1,000	OFF	OFF	ON
1/500	ON	OFF	ON
1/250	OFF	ON	ON
1/100	ON	ON	ON

#### Lenses Available for Monochrome Board Cameras (Custom Lenses can also be built)

Model No.	Focal Length (F-Stop)
LEN-B2.5	2.5mm (F2.0)
LEN-B3.6	3.6mm (F5.0)
LEN-B6	6.0mm (F3.5)
LEN-B8	8.0mm (F3.5)
LEN-B16	16mm (F1.8)

#### Lens Mounts

The CS version of the camera is configured with a standard CS lens mount. By using a C-Mount adapter ring, the CS mount can be converted to a C-Mount. These configurations will allow most CS or C Mount lenses to be used with this camera.