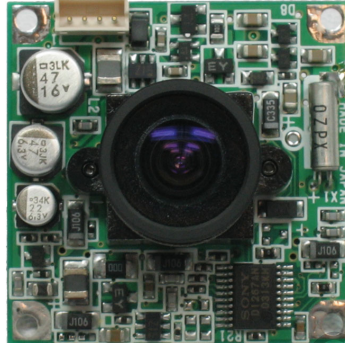
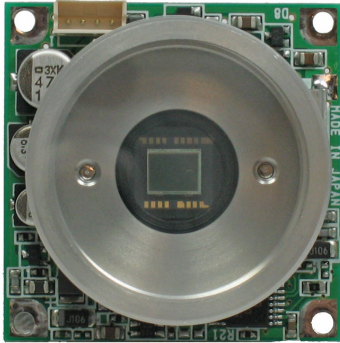


## STC-130/135

The STC-130 Series is an inexpensive, compact camera that can adapt to almost any standard resolution industrial application. This 1/3" standard resolution monochrome camera series comes in board-level and cased version cameras.



### Features

- 1/3" IT CCD
- Monochrome
- Standard Resolution
- EIA & CCIR Formats
- Electronic or Fixed Shutter
- Internal Sync
- AGC On
- Compact Size (1.4" x 1.4")
- Cost Effective
- Seven Lens Options

**Specifications >>**  
 Images shown not actual size

<b>Image Sensor:</b>	Black & White: 1/3" Interline CCD STC-130 (EIA) - ICX404AL STC-135 (CCIR) - ICX405AL
<b>Effective Picture Element:</b>	510 (H) x 492 (V)
<b>Signal Format:</b>	EIA (CCIR Format also available - STC-135)
<b>Scanning System:</b>	2:1 Interlace
<b>Horizontal Frequency:</b>	15.734 kHz
<b>Vertical Frequency:</b>	59.9 Hz
<b>Sync System:</b>	Internal
<b>Horizontal Resolution:</b>	380 TV Lines
<b>Minimum Illumination (Standard):</b>	0.05 Lux @ F 1.2, (AGC On) 50 IRE
<b>Minimum Illumination (H Version):</b>	0.03 Lux @ F 1.2, (AGC On) 50 IRE
<b>S/N Ratio:</b>	>48dB (AGC Off)
<b>Gamma:</b>	0.6
<b>AGC:</b>	On ( 0 - 20dB )
<b>Electronic Iris:</b>	(Auto Shutter) 1/60 to 1/100,000 second
<b>Fixed Shutter:</b>	1/60
<b>Video Out:</b>	VS 1.0Vp-p 75 Ω
<b>Power Supply:</b>	12V DC
<b>Power Consumption:</b>	100mA
<b>Operating Temperature:</b>	-10°C ~ 45°C (14°F ~ 113°F)
<b>Storage Temperature:</b>	-30°C ~ 60°C (-22°F ~ 140°F)
<b>Dimensions:</b>	35 (W) x 35 (H) x variable (D) mm (1.4" x 1.4" x variable)
<b>Weight:</b>	15g (.53 oz.)

- Includes all wire harnesses
- Seven lens options available, including CS/C Mount (See Page 2)

\* Cable harnesses for power and other input and output signals are provided with each Sentech board camera.

Lenses & Mounts  
 >> STC-130

### Monochrome Board Camera Lenses

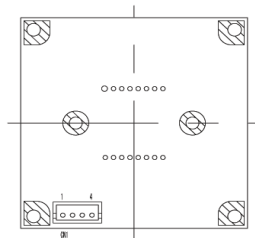
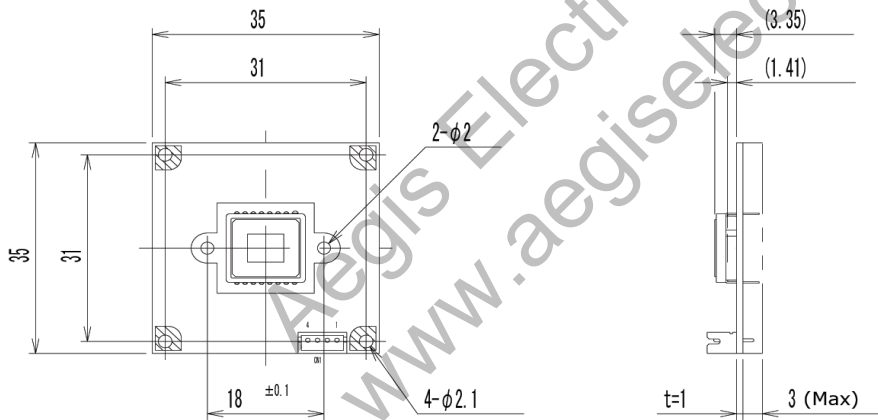
The following lenses are available for all monochrome board cameras. Custom lenses can also be built.

Model No.	Focal Length (F-Stop)
LEN-B2.5	2.5mm (F2.0)
LEN-B3.6	3.6mm (F5.0)
LEN-B6	6.0mm (F3.5)
LEN-B8	8.0mm (F3.5)
LEN-B16	16mm (F1.8)

### Lens Mounts

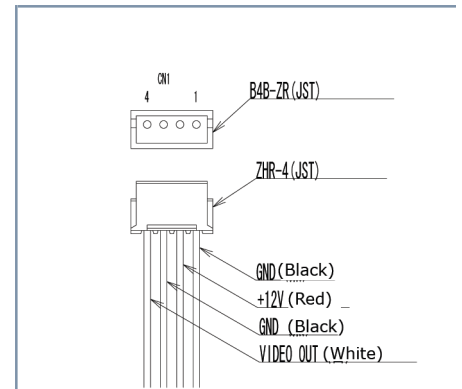
The CS version of the camera is configured with a standard CS lens mount. By using a C-Mount adapter ring, the CS mount can be converted to a C-Mount. These configurations will allow most CS or C Mount lenses to be used with this camera.

### Mechanical Drawings



Note: (Dimensions are given in mm)

### Wire Harness Connection



This information is brought to you by:

