

This information is brought to you by:



VMM-19 Series

Customizable Industrial-Grade Monitors

- 19" TFT Active Matrix Color LCD
- 350 Nits Brightness
- 100% Defect-Free LCD Panels
- TRU-Tuff Treatment Ensures Maximum Shock & Vibration Resistance
- Auto Re-Start After Power Loss
- Lockable On-Screen Display Controls
- Can Be Customized to Meet Your Needs
- 3-Year Warranty



The VMM-19 Series monitors offer a variety of video inputs, 350 nits brightness, and reliable long-term performance. These are also available in standard, open frame, rack mount, panel mount, waterproof and touch screen optional configurations. An extensive list of available OEM options enables you to customize a solution to your specific needs.

TRU-Vu industrial LCD monitors are specifically designed for use in demanding industrial, commercial, medical and A/V applications. Every TRU-Vu monitor utilizes industrial-grade components and high-end LCD panels not found in retail/ consumer-grade monitors. This ensures superior image quality, improved performance and greater durability.

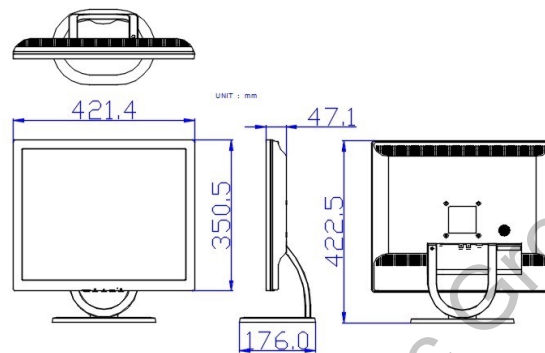
SPECIFICATIONS

	VMM-19U	VMM-19S	VMM-19B	VMM-19C	VMM-19C-24
LCD Panel	19" Color Defect-Free LCD; LED Backlights				
Display Resolution	1280 x 1024 (SXGA)				
Viewable Area	14.81" (W) x 11.85" (H) (376.17 x 300.98 mm)				
Pixel Pitch	0.294mm x 0.294mm				
Display Colors	16.7 Million				
Aspect Ratio	4:3 (5:4)				
Brightness	350 nits				
Contrast Ratio	1000:1				
Viewing Angle	170° (H) x 160° (V)				
Response Time	5 msec Trf				
Control	OSD (On-Screen Display) via Front Panel Pushbuttons				
Video Inputs	VGA, HDMI, BNC Loop-Thru NTSC/ PAL Auto-Recognition	VGA, S-Video, Composite (BNC) NTSC/PAL Auto- Recognition	VGA, Composite (BNC Loop-Thru) NTSC/PAL Auto-Recognition	VGA, DVI-D	
In/Output Impedance	75Ω / Auto Terminating Output			---	
Audio	Optional	Rear Speakers			
Power Requirement	12 VDC (2.1 mm Barrel Plug); 90-240 VAC via Included Power Brick				12-24 VDC
Power Consumption	28 Watts				
Enclosure	ABS				
Mounting	Via Included Mounting Stand or Rear 75 x 75mm Rear VESA Mount Holes				
Operating Temperature	32° to 140° F (0° to 60° C)				
Operating Altitude	To 18,000 Ft.				
Humidity	5-90% RH				
Shock	50 G (20 msec, 1/2 sine)				
Vibration	1.5G RMS 10-200 HZ				
Approvals	UL/cUL, FCC, CE, RoHS				RoHS
Dimensions	16.59" (W) x 13.79" (H) x 1.85" (D) (421.40 x 350.50 x 47.1 mm)				
Weight	11 lbs. (5 kg)	#colspan#			

	VMM-19U	VMM-19S	VMM-19B	VMM-19C	VMM-19C-24
Warranty	3-Years				

Specifications subject to change without notice.

DIMENSIONS (MM)



Standard Accessories:

- 90-240 VAC Power Brick (except VMM-19C-24)
- Tabletop Stand
- VGA Cable
- Audio Cable

Available Options:

- -22°F to +185°F Operating Temperature
- 110 VAC Operation (no external power brick)
- 178° x 178° Viewing Angle (VMMH-19U-NB)
- 450 Nits Brightness (VMMH-19U-NB)
- 1,000 Nits Brightness (SRM-19 Series)
- Optical Bonding (VMMOB-19 Series)
- Panel Mount Enclosure
- Anti-Reflective or Vandal-Resistant Glass
- Steel Enclosure
- NEMA 4X Waterproof Stainless Steel Enclosure
- Touch Screen
- Open-Frame Configuration
- Private-Label
- 9-36 VDC Power